



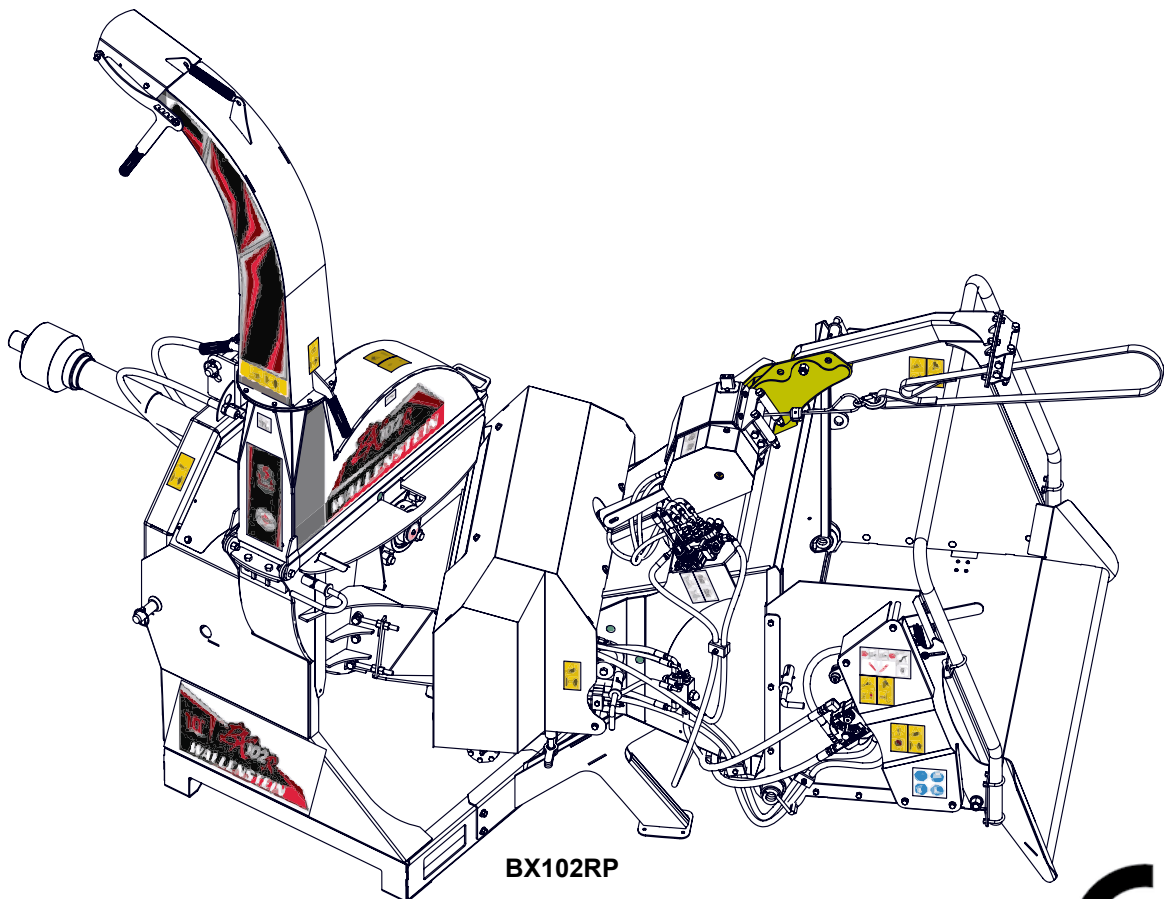
EMB Manufacturing Inc.
4144 Boomer Line · St. Clements, On · N0B 2M0 · Canada
Ph: (519) 699-9283 · Fax: (519) 699-4146
www.wallensteinequipment.com

BX102 Series 3 Point Hitch Chipper Parts Manual

Starting with S/N's

1102R215 and on

MODELS BX102R, BX102RI, BX102RP, BX102RPI



Refer to the operators
manual for safe
operation and
maintainance



Foreword

EMB Mfg. has prepared this parts manual to assist customers in ordering quality OEM replacement parts.

Proper and regular service and replacing old, worn or broken parts with the correct OEM parts are essential to prolonging the life of your EMB product. Please refer to this manual before ordering any replacement parts.

All information contained in this parts manual is based on the latest product specification available at the time of printing this manual. If your product differs from the specifications contained within this manual contact EMB Mfg. for information.

EMB reserves the right to alter specifications on their products at any time.

Reproduction of this parts manual of any kind is prohibited without prior written permission from EMB Mfg.

For parts and information please contact your dealer. If your dealer is no longer available please go to our website: <http://www.wallensteinequipment.com> and click on "FIND A DEALER NEAR YOU" for information on a local dealer.

BX102 Variation Chart

BX Option Cross Reference			Option			
			Intellifeed	Hydraulic Winch	Hydraulic Roller Lift	Revision Level
M o d e l	BX102REU	BX102R				E
	BX102RIEU	BX102RI	X			F
	BX102RPEU	BX102RP		X	X	J
	BX102RPIEU	BX102RPI	X	X	X	K

Table of Contents

BX102 Variation Chart	2	Roller Lift Hydraulic Cylinder	18
Bolt Torque	4	Cylinder Seal Installation	19
Hydraulic Fitting Torque	5	Roller Lift Hydraulic Cylinder Detail	19
Wheel Lug Torque	5	Flow Divider Ass'y	20
Main Parts	6	Winch and Roller Lift Hydraulic Controls ..	20
PTO Base Ass'y	7	Intellifeed Roller Control Components	21
Rotor Parts	8	Intellifeed Components	21
Discharge Chute Ass'y & Guard	9	PTO Shaft #Z44802	22
Upper Roller Ass'y	10	Intellifeed Settings	23
Lower Roller Ass'y	11	Intellifeed Wiring Diagram #Z62109	24
Hopper Ass'y (top view)	12	Hydraulic Hose Parts List	25
Hopper Ass'y (bottom view)	13	Hydraulic Schematic BX102R	26
Feed Table Parts	14	Hydraulic Schematic BX102RP	27
Roller Valve Detail	15	Hydraulic Schematic BX102RI	28
Feed Roller Control Detail	15	Hydraulic Schematic BX102RPI	29
Hydraulic Winch	16	Labels - Left Side View	30
Winch Drum Detail	17	Labels - Right Side View	31
Winch Arm Ass'y	17	Accessories	32
Fairlead Ass'y Detail	18		

Maintenance should be performed by
trained personnel only.



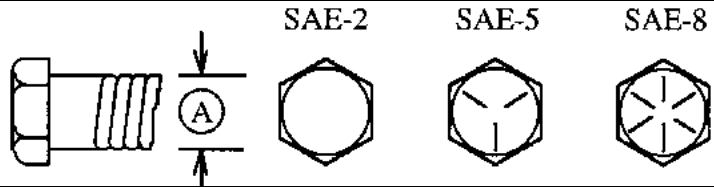
Refer to the operators
manual for safe
operation and
maintenance

Bolt Torque

CHECKING BOLT TORQUE

The tables shown below give correct torque values for various bolts and capscrews. Tighten all bolts to the torques specified in chart unless otherwise noted. Check tightness of bolts periodically, using bolt torque chart as a guide. Replace hardware with the same strength bolt.

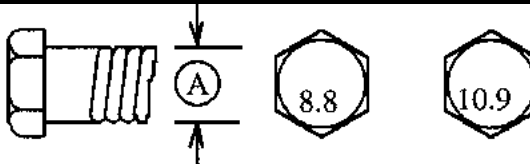
ENGLISH TORQUE SPECIFICATIONS						
Bolt Diameter "A"	Bolt Torque*					
	SAE 2 (N.m) (lb-ft)		SAE 5 (N.m) (lb-ft)		SAE 8 (N.m) (lb-ft)	
1/4"	8	6	12	9	17	12
5/16"	13	10	25	19	36	27
3/8"	27	20	45	33	63	45
7/16"	41	30	72	53	100	75
1/2"	61	45	110	80	155	115
9/16"	95	60	155	115	220	165
5/8"	128	95	215	160	305	220
3/4"	225	165	390	290	540	400
7/8"	230	170	570	420	880	650
1"	345	225	850	630	1320	970



Torque figures indicated above are valid for non-greased or non-oiled threads and heads unless otherwise specified. Therefore, do not grease or oil bolts or capscrews unless otherwise specified in this manual. When using locking elements, increase torque values by 5%.

* Torque value for bolts and capscrews are identified by their head markings.

METRIC TORQUE SPECIFICATIONS				
Bolt Diameter "A"	Bolt Torque*			
	8.8 (N.m) (lb-ft)		10.9 (N.m) (lb-ft)	
M3	0.5	0.4	1.8	1.3
M4	3	2.2	4.5	3.3
M5	6	4	9	7
M6	10	7	15	11
M8	25	18	35	26
M10	50	37	70	52
M12	90	66	125	92
M14	140	103	200	148
M16	225	166	310	229
M20	435	321	610	450
M24	750	553	1050	774
M30	1495	1103	2100	1550
M36	2600	1917	3675	2710



Hydraulic Fitting Torque**Tightening Flare Type Tube Fittings ***

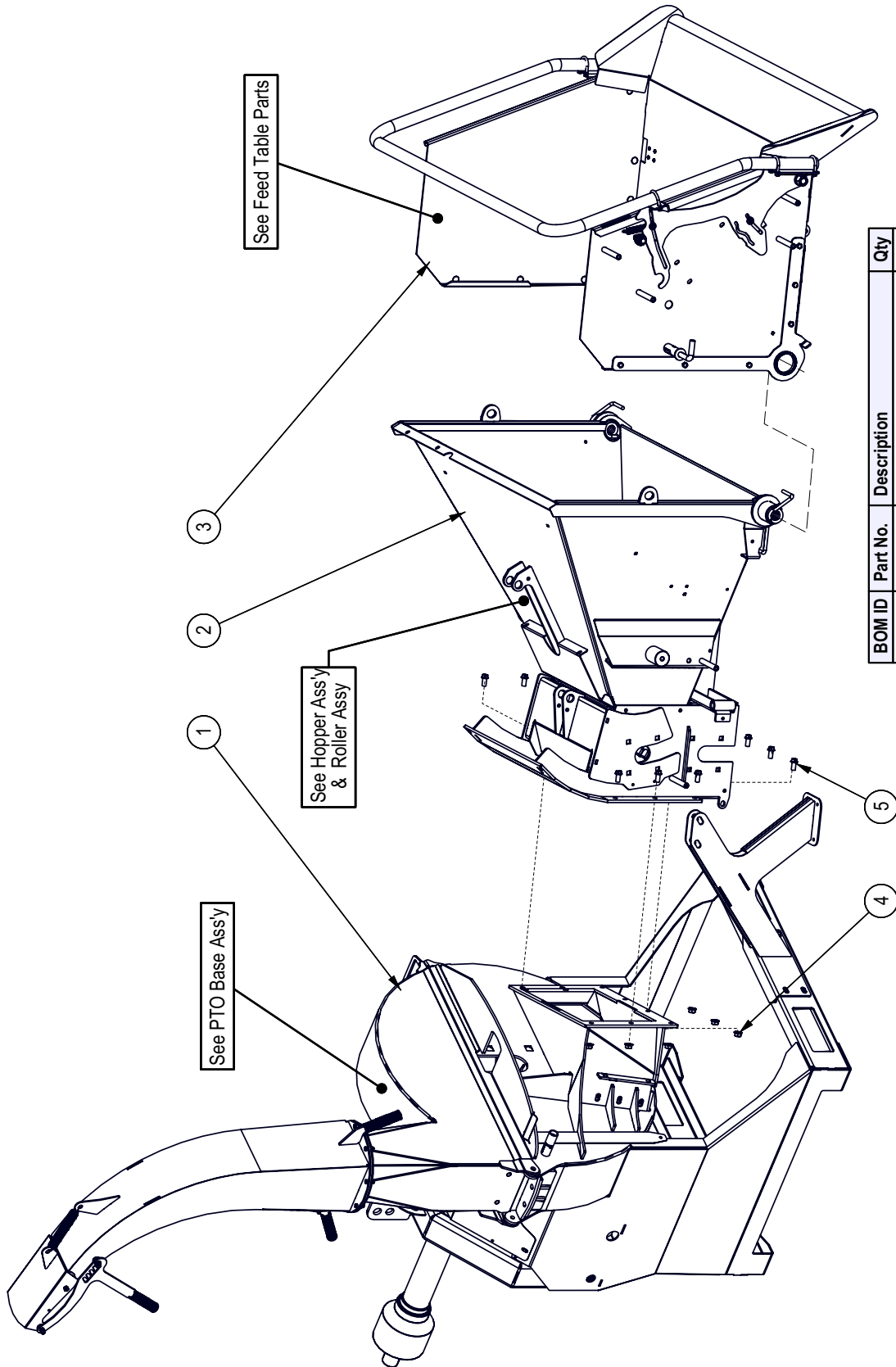
1. Check flare and flare seat for defects that might cause leakage.
2. Align tube with fitting before tightening.
3. Lubricate connection and hand tighten swivel nut until snug.
4. To prevent twisting the tube(s), use two wrenches. Place one wrench on the connector body and with the second tighten the swivel nut to the torque shown.

Tube Size OD	Nut Size Across Flats	Torque Value*		Recommended Turns To Tighten (After Finger Tightening)	
		(N.m)	(lb-ft)	(Flats)	(Turn)
3/16	7/16	8	6	1	1/6
1/4	9/16	12	9	1	1/6
5/16	5/8	16	12	1	1/6
3/8	11/16	24	18	1	1/6
1/2	7/8	46	34	1	1/6
5/8	1	62	46	1	1/6
3/4	1-1/4	102	75	3/4	1/8
7/8	1-3/8	122	90	3/4	1/8

The torque values shown are based on lubricated connections as in reassembly.

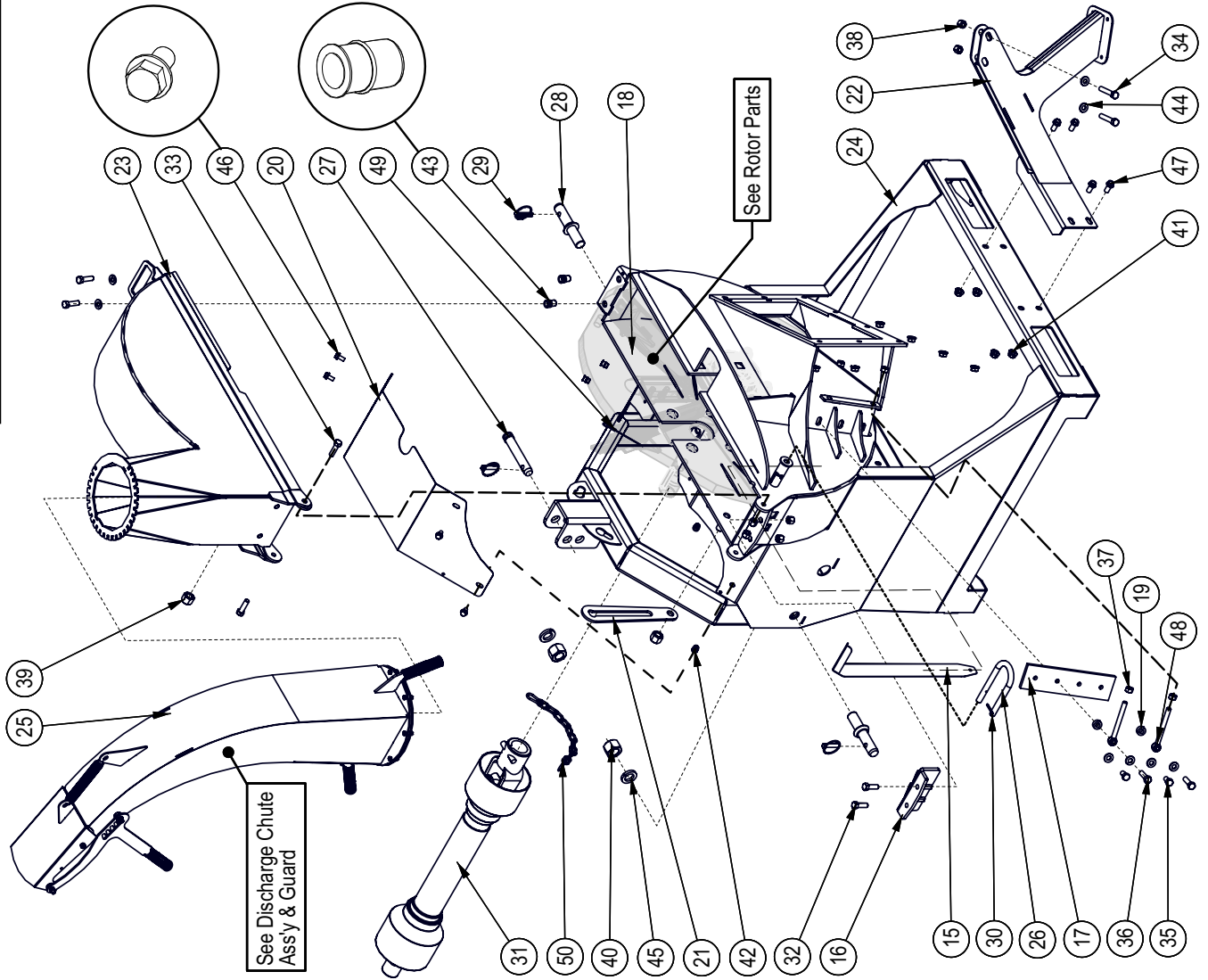
MODELS BX102R, BX102RI, BX102RP,
BX102RPI

Main Parts



BOM ID	Part No.	Description	Qty
1	1021A105	PTO Base Assembly	1
2	1022A211	PTO Hopper SubAssembly	1
3	1022A210	STD Hyd Feed Table	1
4	Z72551	Serrated Flange Locknut, 1/2NC	6
5	Z76153	Flange Bolt, 1/2NC x 1"	8

MODELS BX102R, BX102RI, BX102RP,
BX102RPI

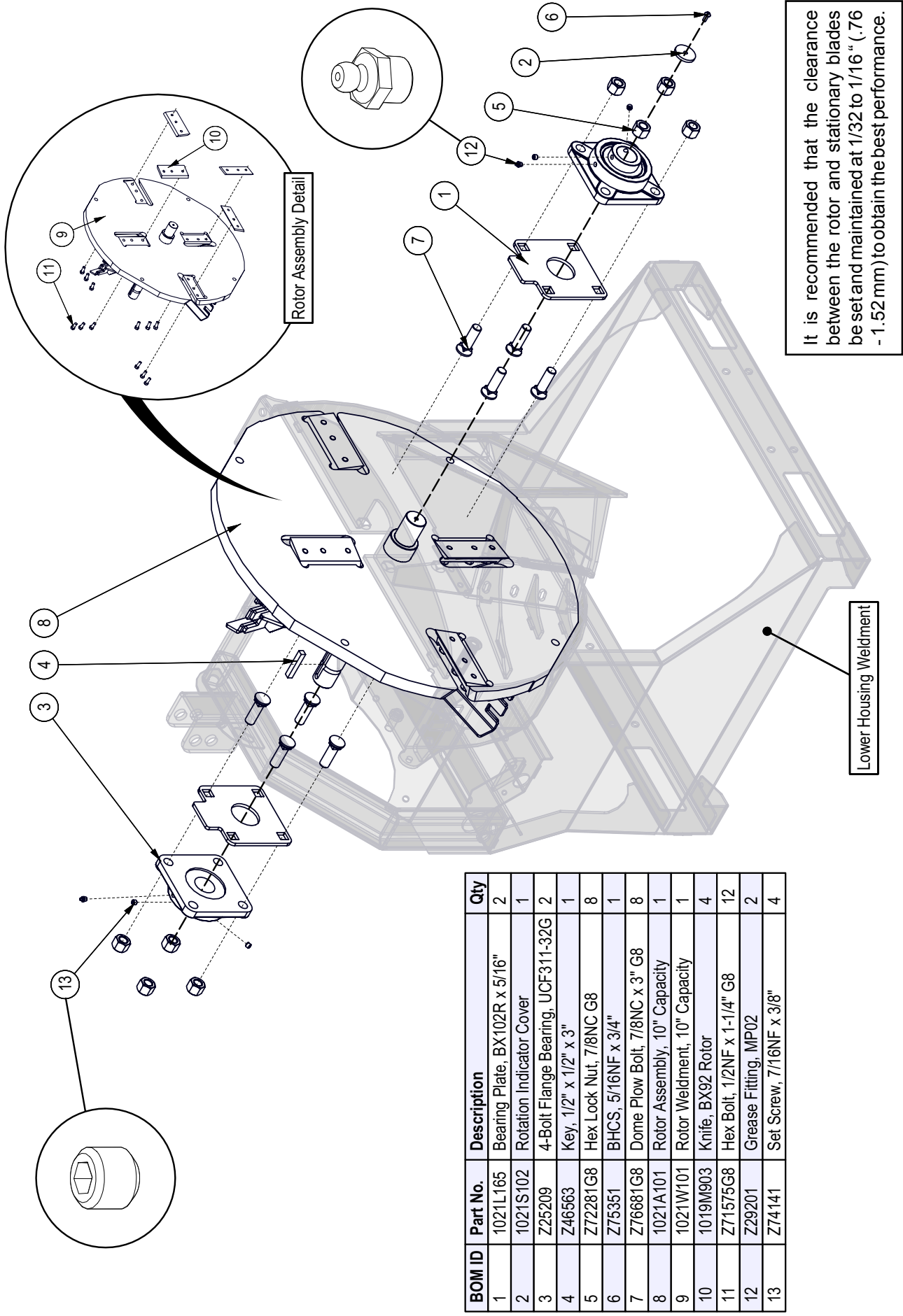


PTO Base Ass'y

BOM ID	Part No.	Description	Qty
15	1012L269	Gauge, Ledger Setting	1
16	1012W204	Twig Breaker	1
17	1019M904	Knife, BX92 Ledger	1
18	1021A101	Rotor Assembly, 10" Capacity	1
19	1021L150	Ledger Washer	2
20	1021L153	PTO Shield	1
21	1021L155	Rotation Stop	1
22	1021W104	Hopper Support Weldment	1
23	1021W105	Weldment, Upper Housing	1
24	1021W106	Lower Housing Weldment, 7-1/2"	1
25	1023A215	Discharge Chute, BX72	1
26	1082M402	Locking Plunger	1
27	Z11142	Toplink Pin, 1" x 4-5/16"	1
28	Z11441	Implement Pin, 1-1/8" x 1-3/4" x 1-1/8NF	2
29	Z12140	Lynch Pin, 7/16"	3
30	Z14151	Roll Pin, 3/16" x 1-1/2"	1
31	Z44802	PTO Shaft, Series B8 x 36.496" (2" Crossbolt)	1
32	Z71515	Hex Bolt, 1/2NC x 1-1/2"	2
33	Z71517	Hex Bolt, 1/2NC x 1-3/4"	4
34	Z71527	Hex Bolt, 1/2NC x 2-3/4"	2
35	Z7157268	Hex Bolt 1/2NF x 7/8 G8	2
36	Z7157938	Hex Bolt, 1/2NF x 1-3/4" G8	2
37	Z72151	Hex Nut, 1/2NC	4
38	Z72251	Hex Lock Nut, 1/2NC	6
39	Z72271	Hex Lock Nut, 3/4NC	2
40	Z72294	Hex Lock Nut, 1-1/8NF	2
41	Z72551	Serrated Flange Locknut, 1/2NC	10
42	Z72959	Rivet Nut, 3/8NC x 3/2	4
43	Z72961	Rivet Nut, 1/2NC x 3/50	2
44	Z73151	SAE Washer, 1/2"	8
45	Z73391	Split Lock Washer, 1-1/8"	2
46	Z76133	Flange Bolt, 3/8NC x 3/4"	4
47	Z76153	Flange Bolt, 1/2NC x 1"	4
48	Z76552	Rod End, 1/2NC x 5" Full Threads	2
49	Z92114	Aircraft Cable, 1/16" x 12"	1
50	Z92310	PTO Support Chain, 3/16" x 1ft with Two Snaps	1

Rotor Parts

MODELS BX102R, BX102RI, BX102RP,
BX102RPI

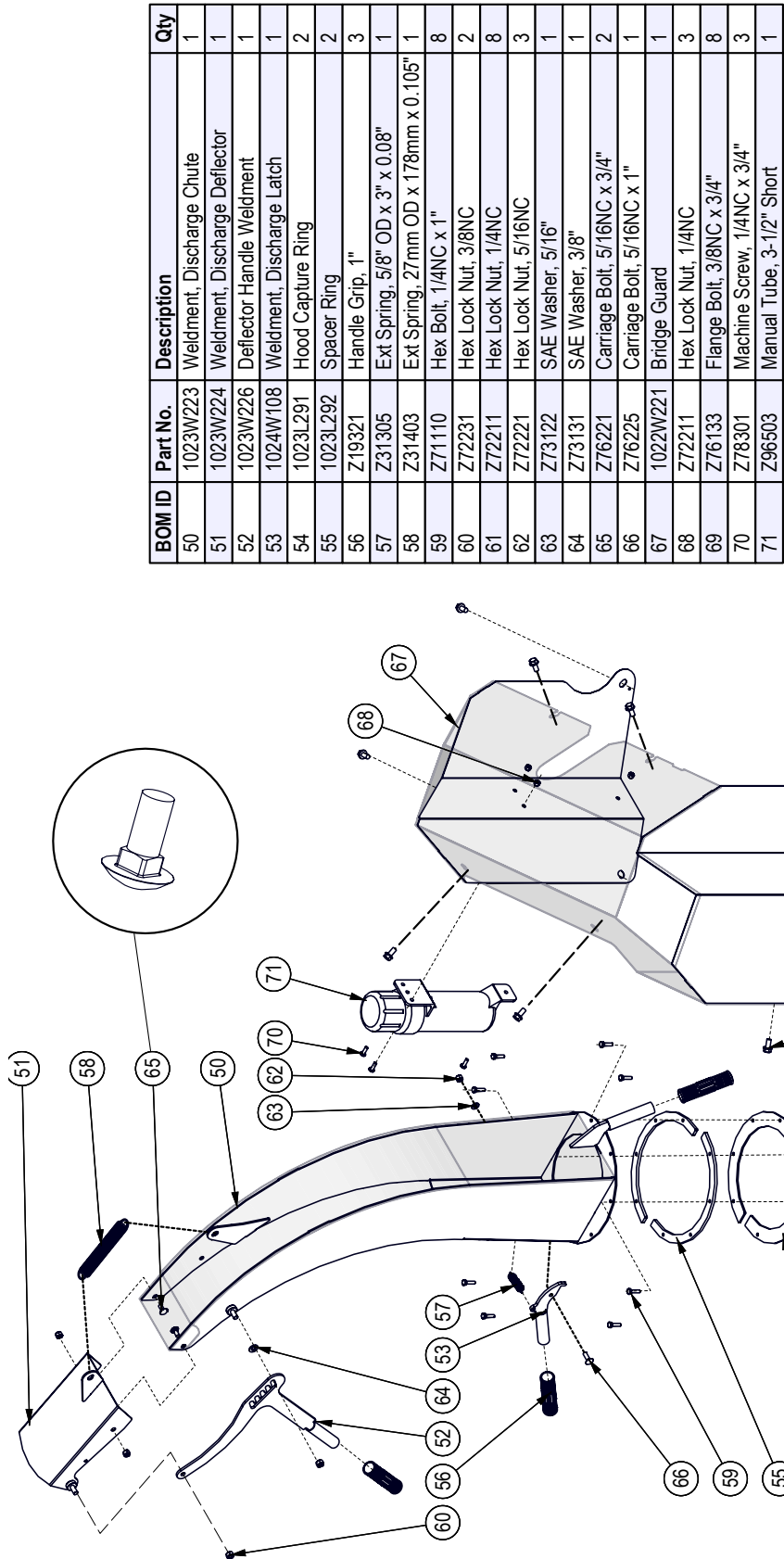


It is recommended that the clearance between the rotor and stationary blades be set and maintained at 1/32 to 1/16" (.76 - 1.52 mm) to obtain the best performance.

BOM ID	Part No.	Description	Qty
1	1021L165	Bearing Plate, BX102R x 5/16"	2
2	1021S102	Rotation Indicator Cover	1
3	Z25209	4-Bolt Flange Bearing, UCF311-32G	2
4	Z46563	Key, 1/2" x 1/2" x 3"	1
5	Z72281G8	Hex Lock Nut, 7/8NC G8	8
6	Z75351	BHCS, 5/16NF x 3/4"	1
7	Z76681G8	Dome Plow Bolt, 7/8NC x 3" G8	8
8	1021A101	Rotor Assembly, 10" Capacity	1
9	1021W101	Rotor Weldment, 10" Capacity	1
10	1019M903	Knife, BX92 Rotor	4
11	Z71575G8	Hex Bolt, 1/2NF x 1-1/4" G8	12
12	Z29201	Grease Fitting, MP02	2
13	Z74141	Set Screw, 7/16NF x 3/8"	4

MODELS BX102R, BX102RI, BX102RP,
BX102RPI

Discharge Chute Ass'y & Guard

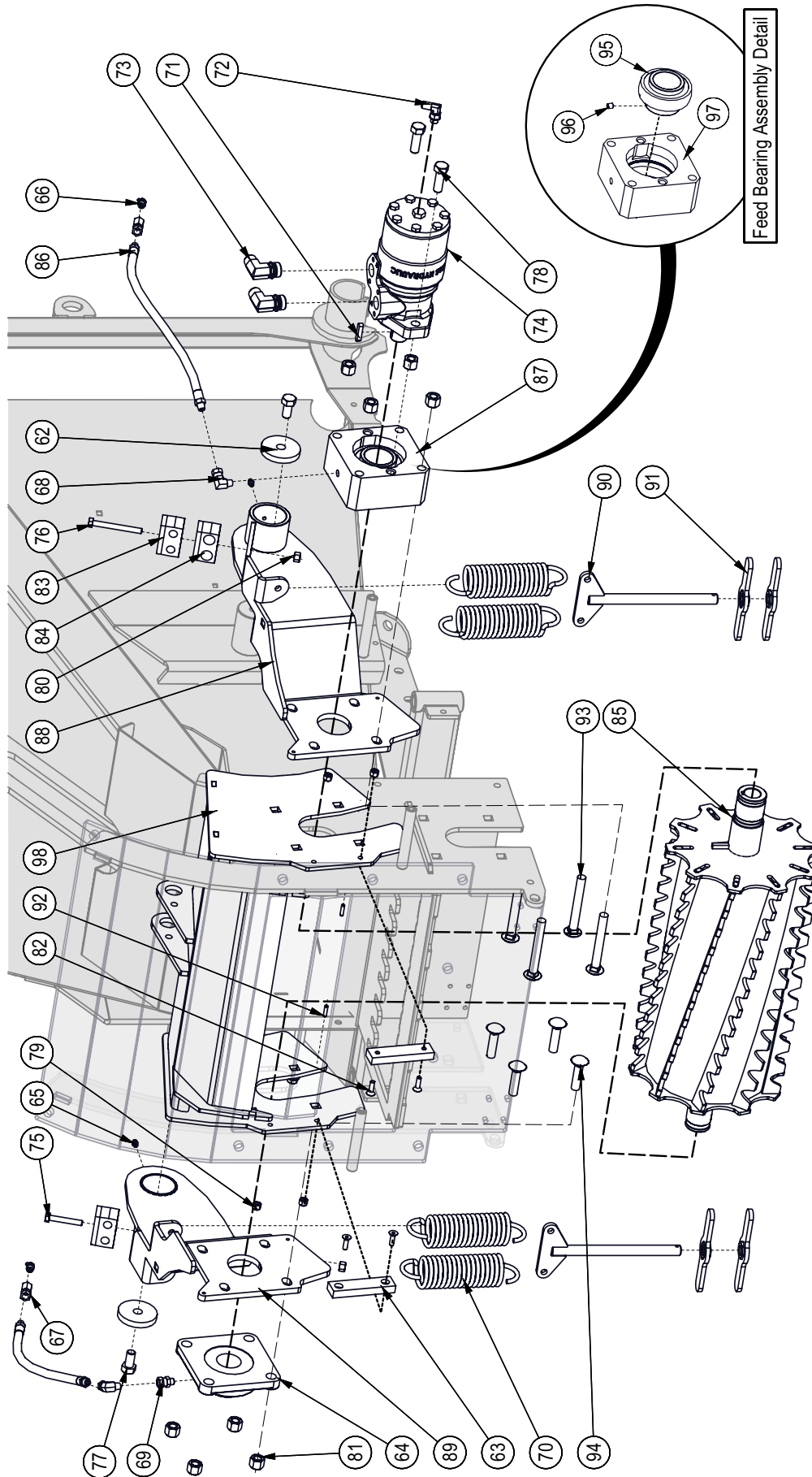


BOM ID	Part No.	Description	Qty
50	1023W223	Weldment, Discharge Chute	1
51	1023W224	Weldment, Discharge Deflector	1
52	1023W226	Deflector Handle Weldment	1
53	1024W108	Weldment, Discharge Latch	1
54	1023L291	Hood Capture Ring	2
55	1023L292	Spacer Ring	2
56	Z19321	Handle Grip, 1"	3
57	Z31305	Ext Spring, 5/8" OD x 3" x 0.08"	1
58	Z31403	Ext Spring, 27mm OD x 178mm x 0.105"	1
59	Z71110	Hex Bolt, 1/4NC x 1"	8
60	Z72231	Hex Lock Nut, 3/8NC	2
61	Z72211	Hex Lock Nut, 1/4NC	8
62	Z72221	Hex Lock Nut, 5/16NC	3
63	Z73122	SAE Washer, 5/16"	1
64	Z73131	SAE Washer, 3/8"	1
65	Z76221	Carriage Bolt, 5/16NC x 3/4"	2
66	Z76225	Carriage Bolt, 5/16NC x 1"	1
67	1022W221	Bridge Guard	1
68	Z72211	Hex Lock Nut, 1/4NC	3
69	Z76133	Flange Bolt, 3/8NC x 3/4"	8
70	Z78301	Machine Screw, 1/4NC x 3/4"	3
71	Z96503	Manual Tube, 3-1/2" Short	1

After Serial 1102R81

Upper Roller Ass'y

MODELS BX102R, BX102RI, BX102RP,
BX102RPI



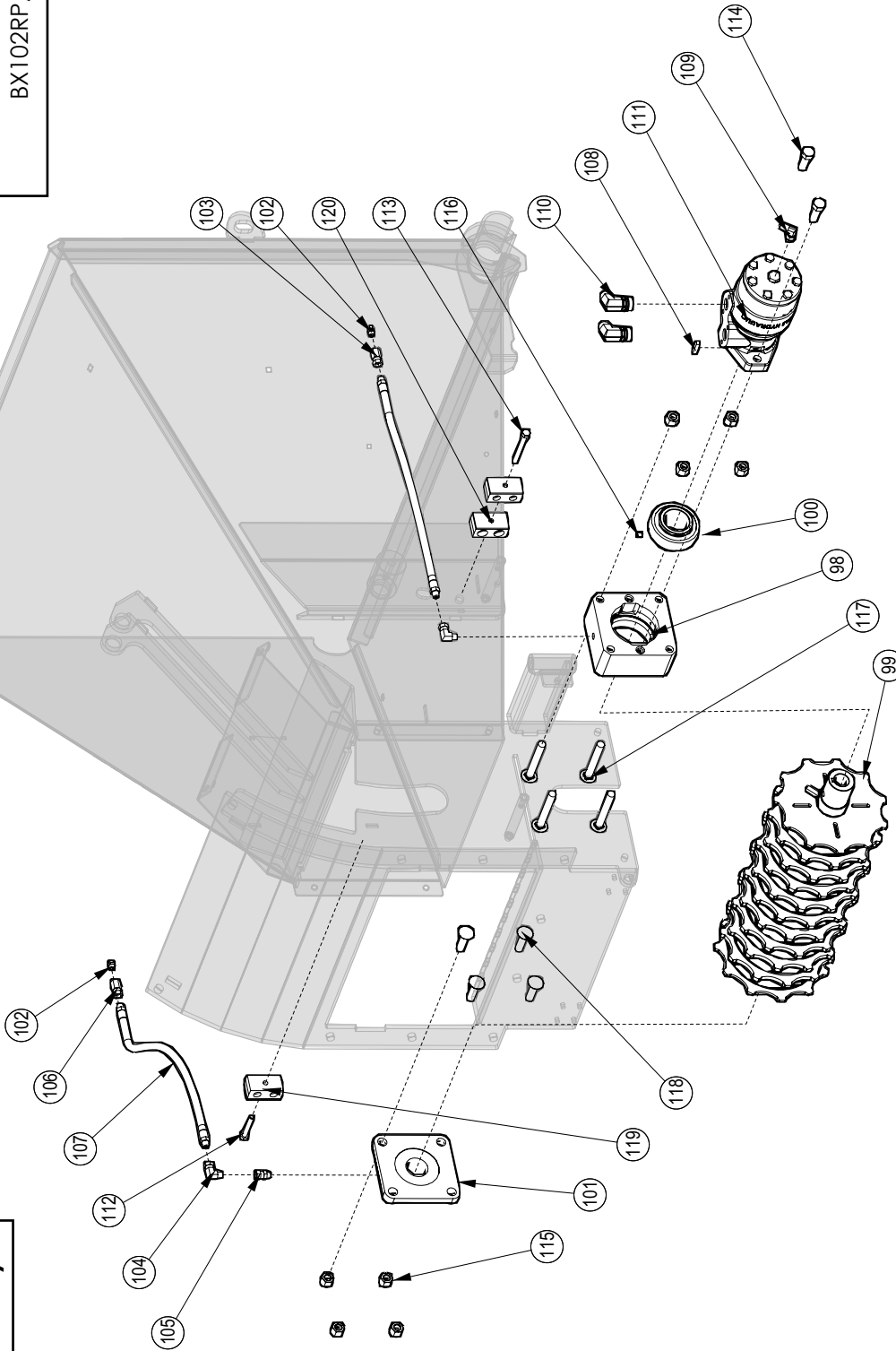
BOM ID	Part No.	Description	Qty
88	1022W202	Weldment, Roller Pivot Arm LH	1
89	1022W202H	Weldment, Roller Pivot Arm RH	1
90	1022W206	Spring Yoke	2
91	1022W220	Nut Handle	4
92	Z14152	Roll Pin, 3/16" x 3/4"	4
93	Z762511	Carriage Bolt, 1/2NC x 4"	4
94	Z76255	Carriage Bolt, 1/2NC x 2"	4
95	Z21903	Ball Bearing, UC209-28 x Insert	1
96	Z74122	Set Screw, 5/16NF x 3/8"	1
97	1022M218	UC Motor Bearing Housing	1
98	1060W307	Bridge, Guarded - BX102R & BX102RI	1
	1060W308	Hydraulic Bridge, Guarded - BX102RP & BX102RPI	1

BOM ID	Part No.	Description	Qty
75	Z71220	Hex Bolt, 5/16NC x 2"	1
76	Z71230	Hex Bolt, 5/16NC x 3"	1
77	Z71510	Hex Bolt, 1/2NC x 1"	2
78	Z71515	Hex Bolt, 1/2NC x 1-1/2"	2
79	Z72211	Hex Lock Nut, 1/4NC	4
80	Z72221	Hex Lock Nut, 5/16NC	2
81	Z72251	Hex Lock Nut, 1/2NC	8
82	Z72611	FHCS, 1/4NC x 7/8"	4
83	Z79462	Double Hose Clamp, 1 1/2" OD	2
84	Z79463	Double Hose Clamp, 1 1/16" OD	1
85	1022W231	BX102R Upper Feed Roller, Spiral	1
86	1021F106	1/4" Grease Whip, MP02 x MP02 x 13"	2
87	1022A205	Feed Bearing Assembly	1

BOM ID	Part No.	Description	Qty
62	1015L618	Capture Washer	2
63	1022S208	Rotor Hood Slide	2
64	Z25204	4-Bolt Flange Bearing, LUCF208-24	1
65	Z29202	Grease Fitting, 1/4NF	2
66	Z29204	Elbow 45 Grease Fitting, MP02	2
67	Z29302	Grease Fitting, FP x FPX 0202	2
68	Z29307	Elbow 90 Grease Fitting, MP x FPX 0202	2
69	Z29311	Grease Fitting, MP x FPX 0202	1
70	Z31501	Ext Spring, 2" OD x 7" x 0.250"	4
71	Z46594	Blind Chipper Key, 1/4" x 1/4" x 1-1/4"	1
72	Z51657	Elbow 90, MJIC x MORB 0404	1
73	Z51658	Elbow 90, MJIC x MORB 0810	2
74	Z54105	Hydraulic Motor, 400CCR	1

MODELS BX102R, BX102RI,
BX102RP, BX102RPI

Lower Roller Ass'y



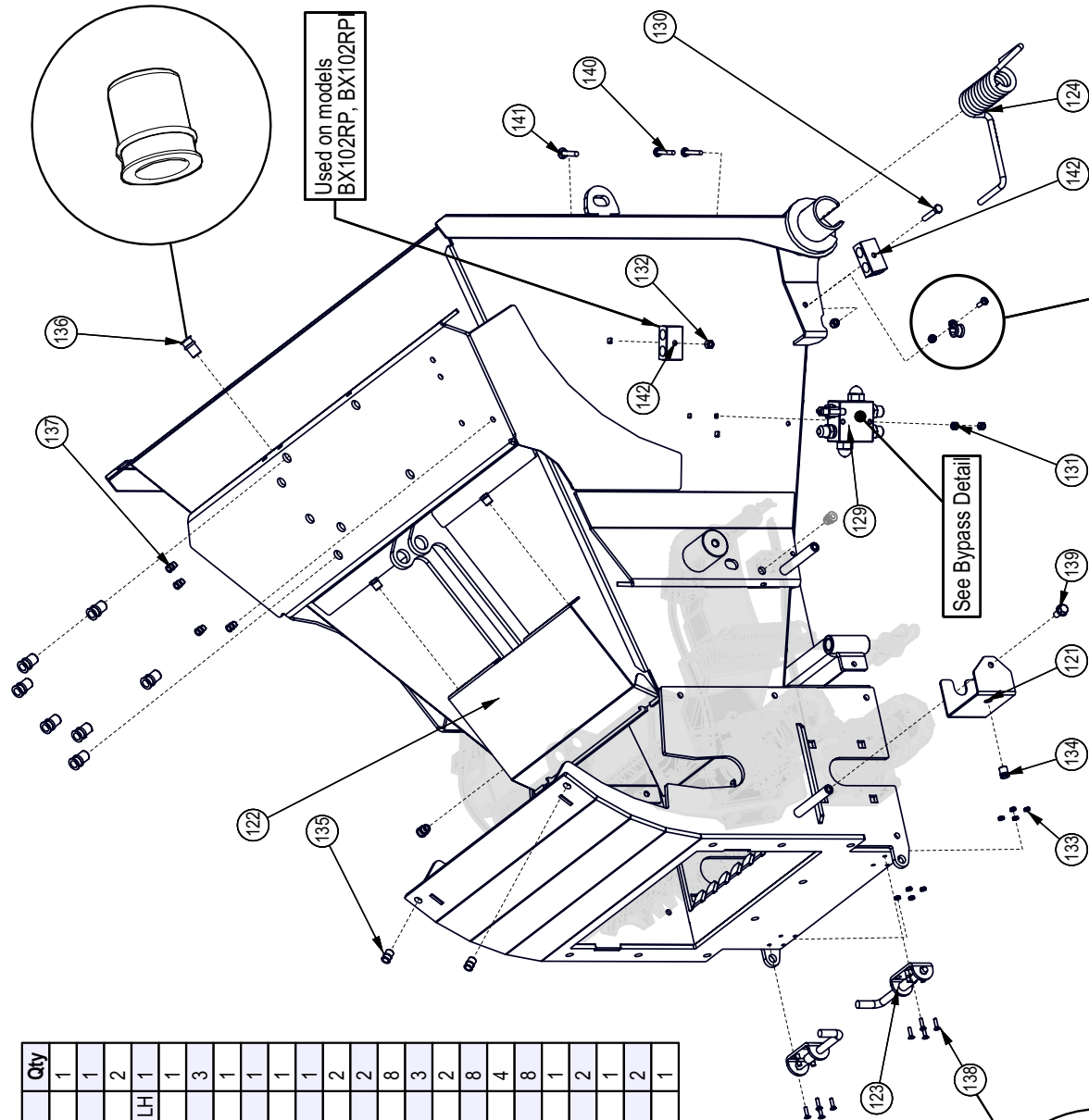
BOM ID	Description	Description	Qty
110	Z51658	Elbow 90 MJIC x MORB 0810	2
111	Z54104	315 Series Hydraulic Motor	1
112	Z1220	Hex Bolt, 5/16NC x 2	1
113	Z1230	Hex Bolt, 5/16NC x 3	1
114	Z11515	Hex Bolt, 1/2NC x 1-1/2	2
115	Z12251	Hex Lock Nut, 1/2NC	8
116	Z14122	Set Screw, 5/16NF	1
117	Z162510	Carriage Bolt, 1/2NC x 3-1/2	4
118	Z16258	Carriage Bolt, 1/2NC x 1-3/4	4
119	Z19462	Double Hose Clamp 1/2"	2
120	Z19463	Double Hose Clamp 11/16"	1

BOM ID	Description	Description	Qty
98	1022M218	UC Motor Bearing Housing	1
99	1022W205	Lower Feed Roll	1
100	Z21903	Ball Bearing Insert, 1-3/4"	1
101	Z25204	4-Bolt Bearing 1-1/2" Bore	1
102	Z29204	Grease Fitting, 1/8NPT x 45	2
103	Z29302	Straight, FP x FFX 0202	1
104	Z29307	Elbow 90 MP x FFX 0202	2
105	Z29311	Straight, MP x FFX 0202	1
106	Z29312	Straight, FP x FFX 0202	1
107	Z29313	1/4 Grease Hose, MP02 x MP02 x 16"	2
108	Z46594	Blind Chipper Key 1/4 x 1-1/4	1
109	Z51657	Elbow 90, MORB x MJIC 0404	1

Hopper Ass'y (top view)

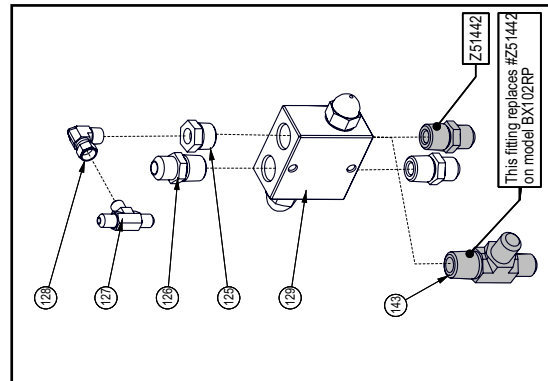
MODELS BX102R, BX102RI, BX102RP,
BX102RPI

BOM ID	Description	Description	Qty
121	1022L300	Bridge Guard Mount	1
122	See Note	Main Hopper Weldment	1
123	Z18207	Spring Latch Pin 1/2 x 1" Stroke	2
124	Z33302	Torsion Spring 3/8wire x 2 O.D. x 5" LH	1
125	Z51222	Reducer, 1/2MP x 1/4FP	1
126	Z51442	Straight, #8 JIC x 1/2NPT	3
127	Z51488	Tee MJIC x MJIC x MJIC 040404	1
128	Z51522	Elbow 90 MP x FJICX 0404	1
129	Z56401	Crossover Relief Valve	1
130	Z71217	Hex Bolt, 5/16NC x 1-3/4	1
131	Z72211	Hex Lock Nut, 1/4NC	2
132	Z72221	Hex Lock Nut, 5/16NC	2
133	Z72752	Machine Nut, #10-32NF	8
134	Z72958	Riv-Nut 3/8NC x 150	3
135	Z72959	Riv-Nut 3/8NC x 312	2
136	Z72961	Riv-Nut 1/2NC x 350	8
137	Z72962	Riv-Nut, 1/4NC x 260	4
138	Z75203	FHCS, #10-32NF x 3/4	8
139	Z76133	Flange Bolt, 3/8NC x 3/4	1
140	Z76213	Carriage Bolt, 1/4NC x 2	2
141	Z76227	Carriage Bolt, 5/16NC x 1-3/4	1
142	Z79463	Double Hose Clamp 11/16"	2
143	Z51487	Tee MJIC x MP x MJIC 080808	1



Used on models BX102RI, BX102RPI
 1 x #Z72211 Hex Lock Nut 1/4 NC
 1 x #Z62819 Rubberized Wire Clamp
 1 x #Z78301 Mach. Screw 1/4-20 x 3/4
 1 x #Z73111 Flat Washer 1/4

Note: Main Hopper Weldments
 BX102R, BX102RI require: #1022W201
 BX102RP, BX102RPI require: #1083W107

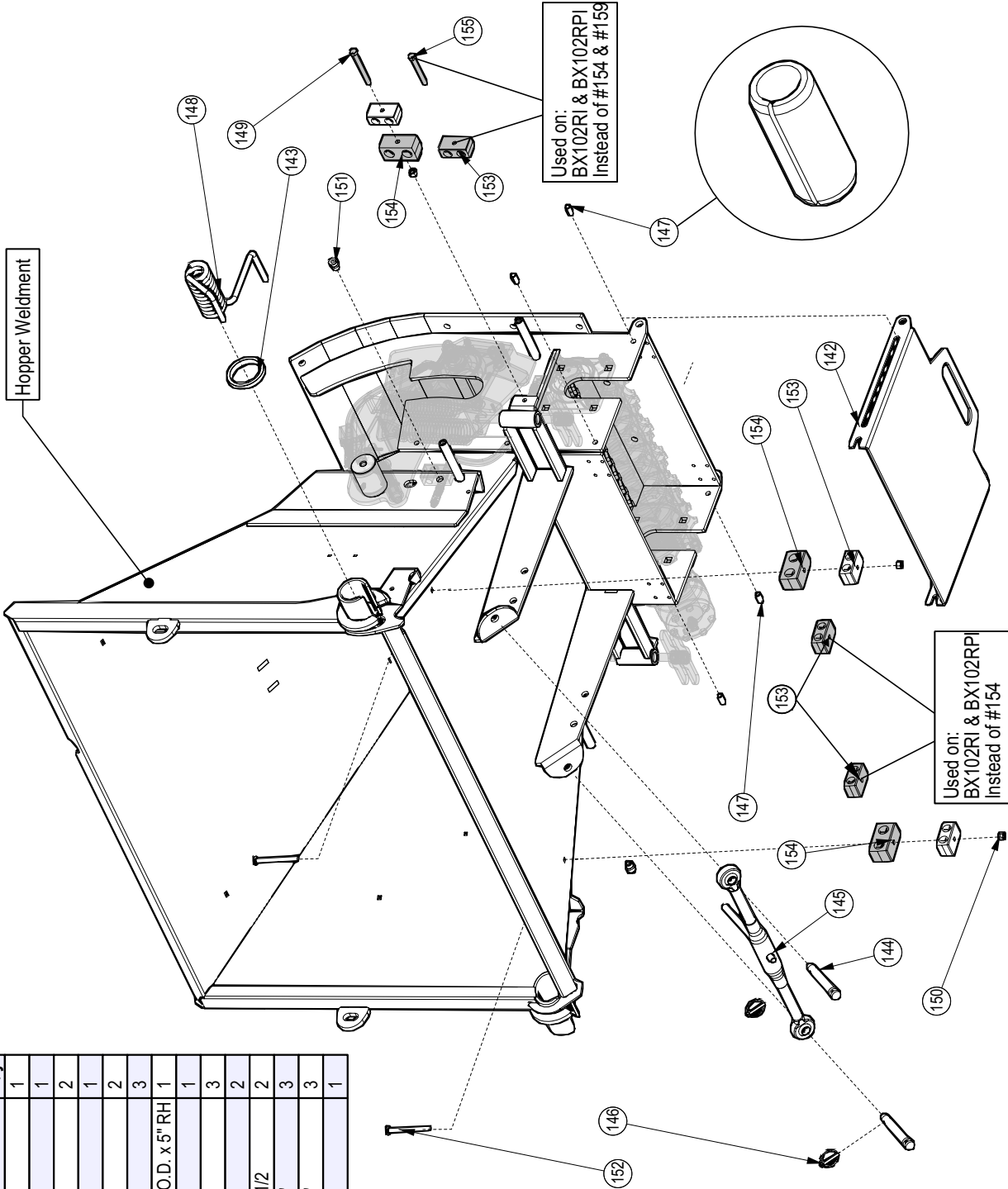


Bypass Valve Detail

MODELS BX102R, BX102RI, BX102RP,
BX102RPI

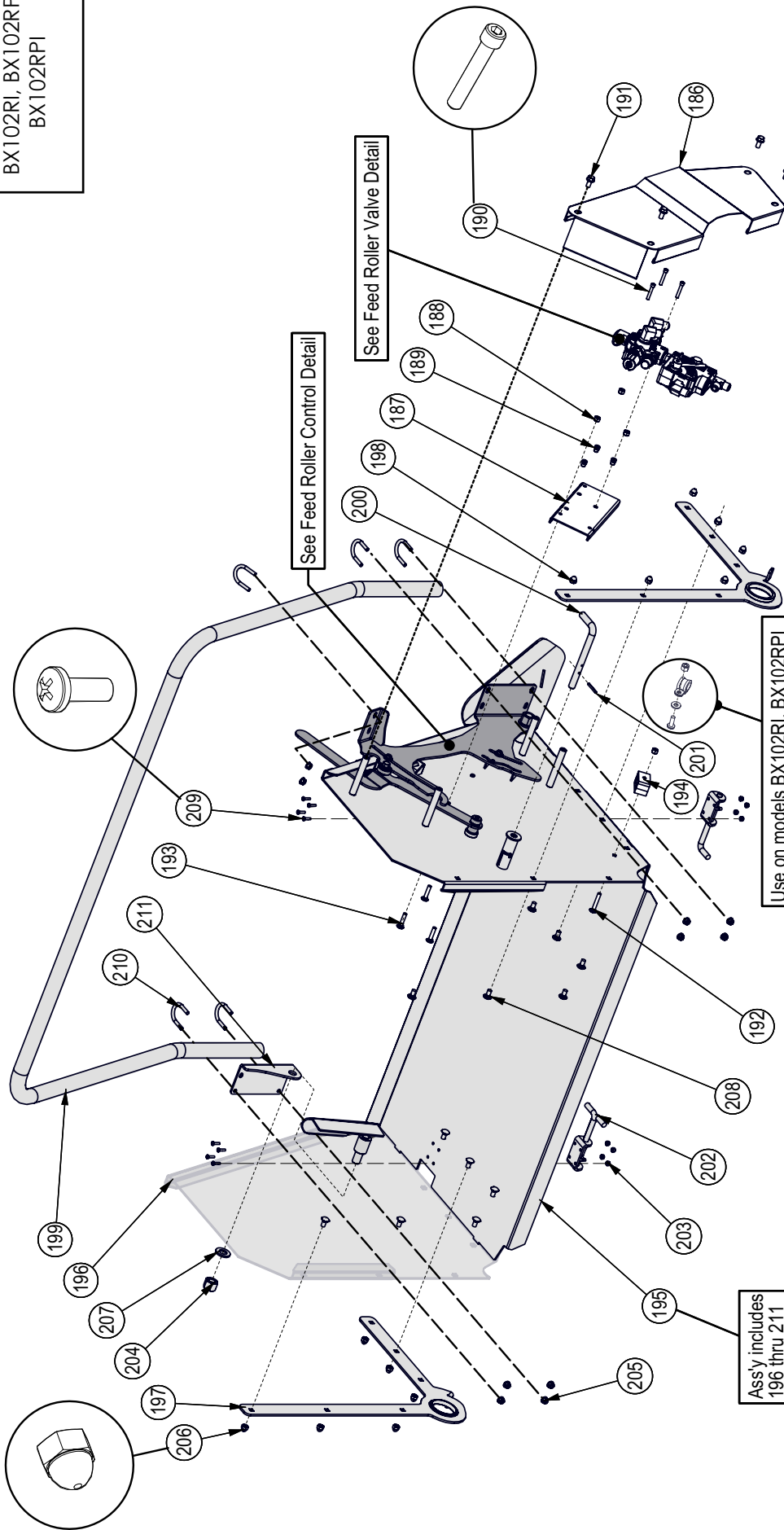
Hopper Ass'y (bottom view)

BOM ID	Description	Description	Qty
142	1022L280	Lower Roller Guard	1
143	1022M230	Feed Table Wear Bushing	1
144	Z11111	Toplink Pin 5/8 x 2-3/4	2
145	Z11501	Toplink, Cat 0	1
146	Z12110	Latch Pin 3/16	2
147	Z14301	Roll Pin, 10mm x 22mm	3
148	Z33301	Torsion Spring 3/8wire x 2 O.D. x 5" RH	1
149	Z71235	Hex Bolt, 5/16NC x 3-1/2	1
150	Z72221	Hex Lock Nut, 5/16NC	3
151	Z72957	Riv-Nut, 5/16NC x 3/2	2
152	Z76229	Carriage Bolt, 5/16NC x 3-1/2	2
153	Z79463	Double Hose Clamp 11/16"	3
154	Z79464	Double Hose Clamp 13/16"	3
155	Z71230	Hex Bolt, 5/16NC x 3	1



MODELS BX102R,
BX102RI, BX102RP,
BX102RPI

Feed Table Parts



BOM ID	Part No.	Description	Qty
204	Z72271	Hex Lock Nut, 3/4NC	1
205	Z72521	Serrated Flange Locknut, 5/16NC	10
206	Z72911	Acorn Nut, 3/8NC	12
207	Z73171	SAE Washer, 3/4"	1
208	Z76233	Carriage Bolt, 3/8NC x 3/4"	12
209	Z78316	Machine Screw, #10NF x 3/4"	8
210	1015S538	U-bolt, Bearing Adapter	5
211	1022L271	Feed Control Pivot	1

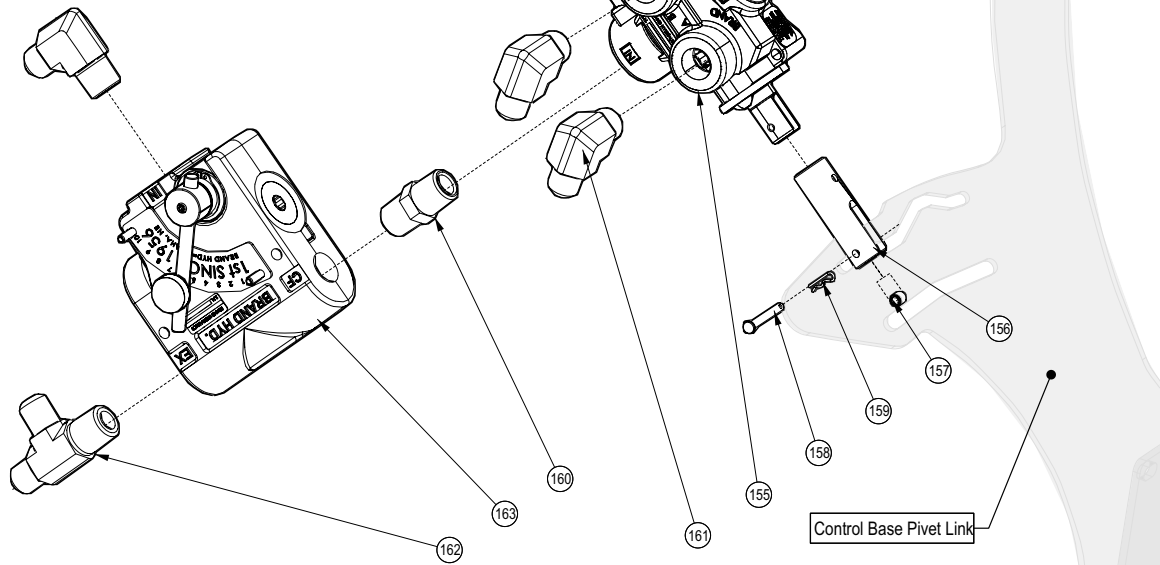
BOM ID	Part No.	Description	Qty
195	1022A201	Common Feed Table Assembly	1
196	1022W204	Feed Table Weldment	1
197	1022W230	Feed Table Trap Plate Weldment	1
198	1022W230H	Feed Table Trap Weldment, LH	1
199	1022S203	Feed Control Handle	1
200	1061M108	L Handled Plunger, Compact	1
201	Z14151	Roll Pin, 3/16" x 1-1/2"	1
202	Z18207	Spring Latch Pin, 1/2" x 1" Stroke	2
203	Z72204	Hex Lock Nut, #10NF	8

BOM ID	Part No.	Description	Qty
186	1022L256	Valve Guard	1
187	1023L285	Valve Mount Plate	1
188	Z72221	Hex Lock Nut, 5/16NC	4
189	Z72955	Rivet Nut, 1/4NC x 165	3
190	Z75116	SHCS, 1/4NC x 1-1/2"	3
191	Z76133	Flange Bolt, 3/8NC x 3/4"	4
192	Z762202	Carriage Bolt, 5/16NC x 2"	1
193	Z76224	Carriage Bolt, 5/16NC x 1-1/2"	3
194	Z79463	Double Hose Clamp, 11/16" OD	1

Roller Valve Detail

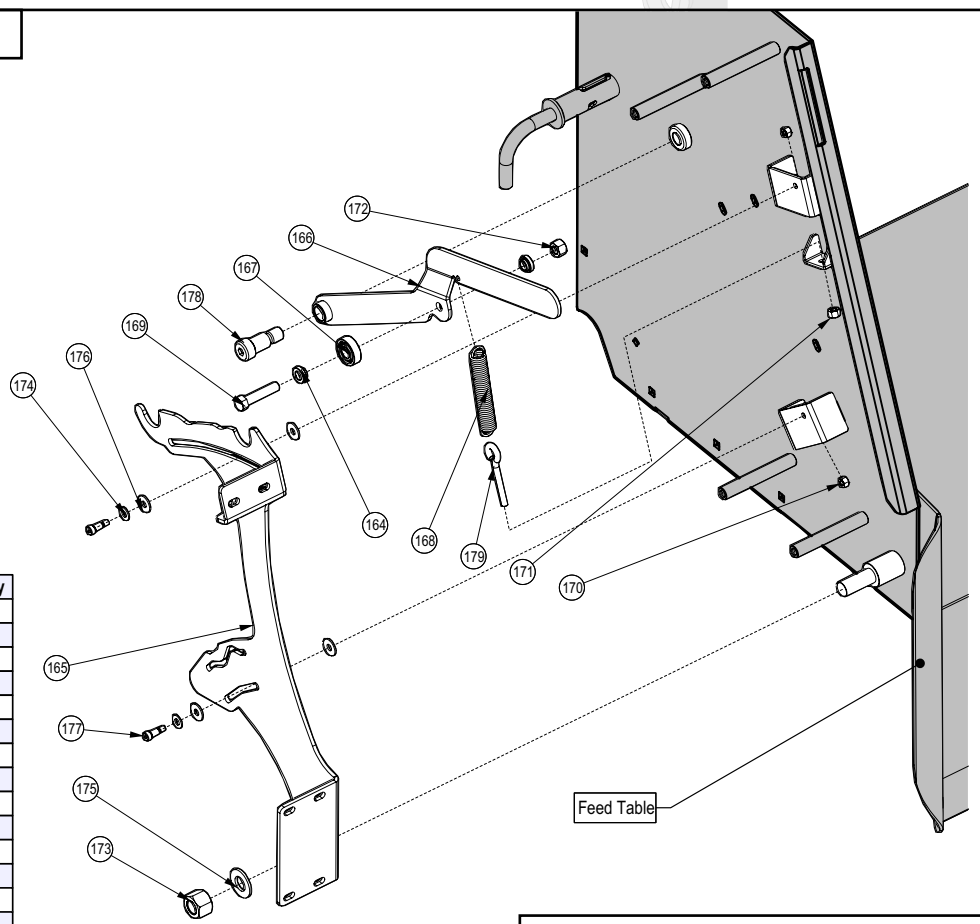
MODELS BX102R, BX102RP

BOM ID	Description	Description	Qty
155	Z56215	Spring Ctr Low Force Directional Valve	1
156	1022M213	Bearing Yoke	1
157	1022M217	Solid Bearing	1
158	Z11301	Clevis Pin 3/16 x 1-3/8"	1
159	Z12210	Hitch Pin Clip, 1/16	1
160	Z51122	Nipple, MP x MP 0808	1
161	Z51451	#8JIC x 1/2NPT 90 Elbow	4
162	Z51487	Tee MJIC x MP x MJIC 080808	1
163	Z56305	Brand PFC 0-8 GPM	1



Feed Roller Control Detail

BOM ID	Description	Description	Qty
164	1015M537	Bushing, Bearing	2
165	1022L239	Control Base Pivot Link	1
166	1022W224	Detent Reset Weldment	1
167	Z21203	Ball Bearing 6202 RS	1
168	Z31401	Spring 3/4 x 4" Heavy	1
169	Z71420	Hex Bolt, 7/16NC x 2	1
170	Z72211	Hex Lock Nut, 1/4NC	2
171	Z72221	Hex Lock Nut, 5/16NC	1
172	Z72241	Hex Lock Nut, 7/16NC	1
173	Z72271	Hex Lock Nut, 3/4NC	1
174	Z73122	Flat Washer, 5/16	2
175	Z73171	Flat Washer, 3/4"	1
176	Z73222	PTFE Flat Washer, 5/16 x 0.080"	4
177	Z75522	Shoulder Bolt, 5/16 x 1/2"	2
178	Z75574	Shoulder Bolt, 3/4 x 1	1
179	Z76522	Eye Bolt 5/16NC x 2	1

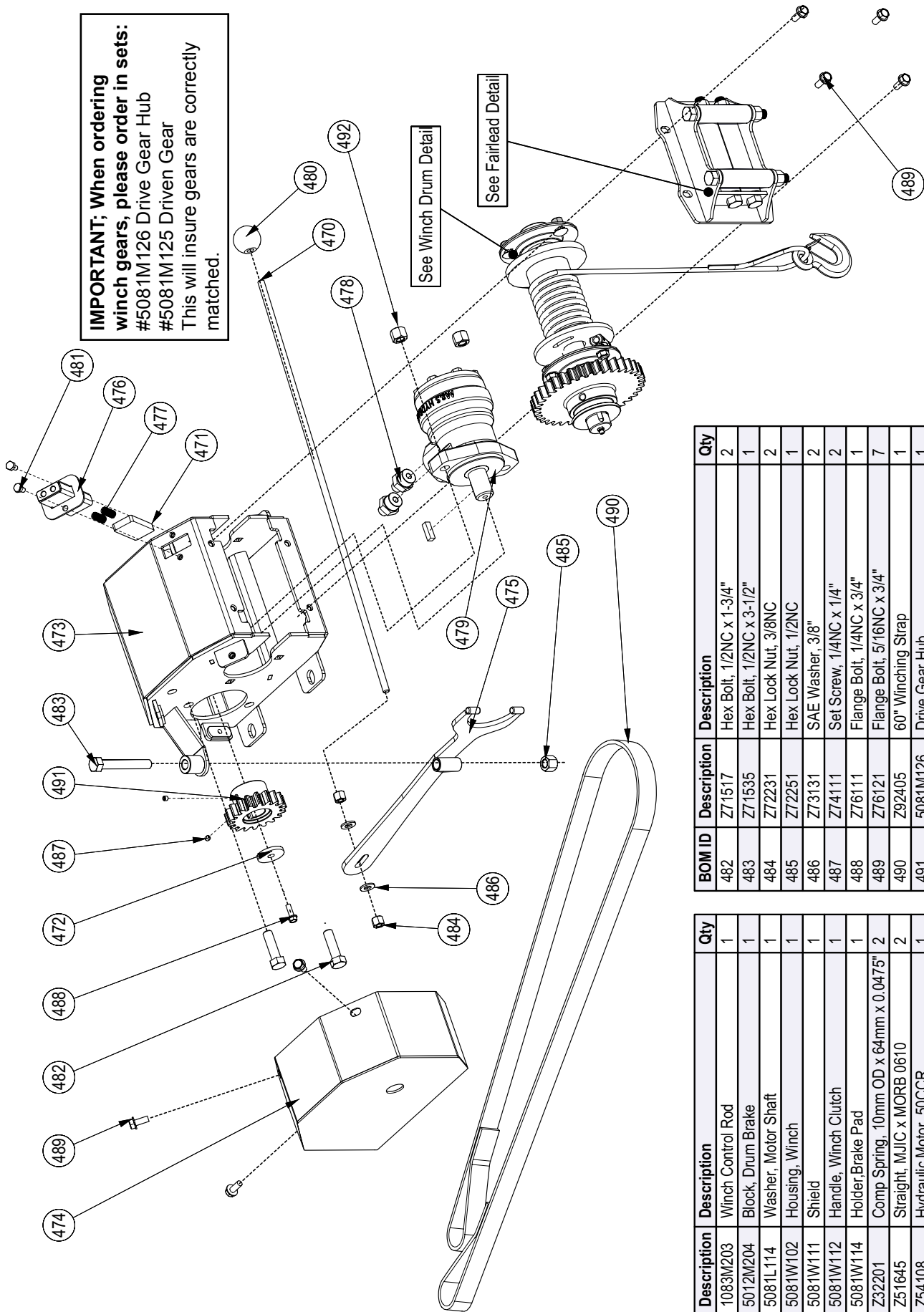


MODELS BX102R, BX102RI, BX102RP,
BX102RPI

Hydraulic Winch

MODELS BX102RP, BX102RPI

IMPORTANT; When ordering winch gears, please order in sets:
 #5081M126 Drive Gear Hub
 #5081M125 Driven Gear
 This will insure gears are correctly matched.

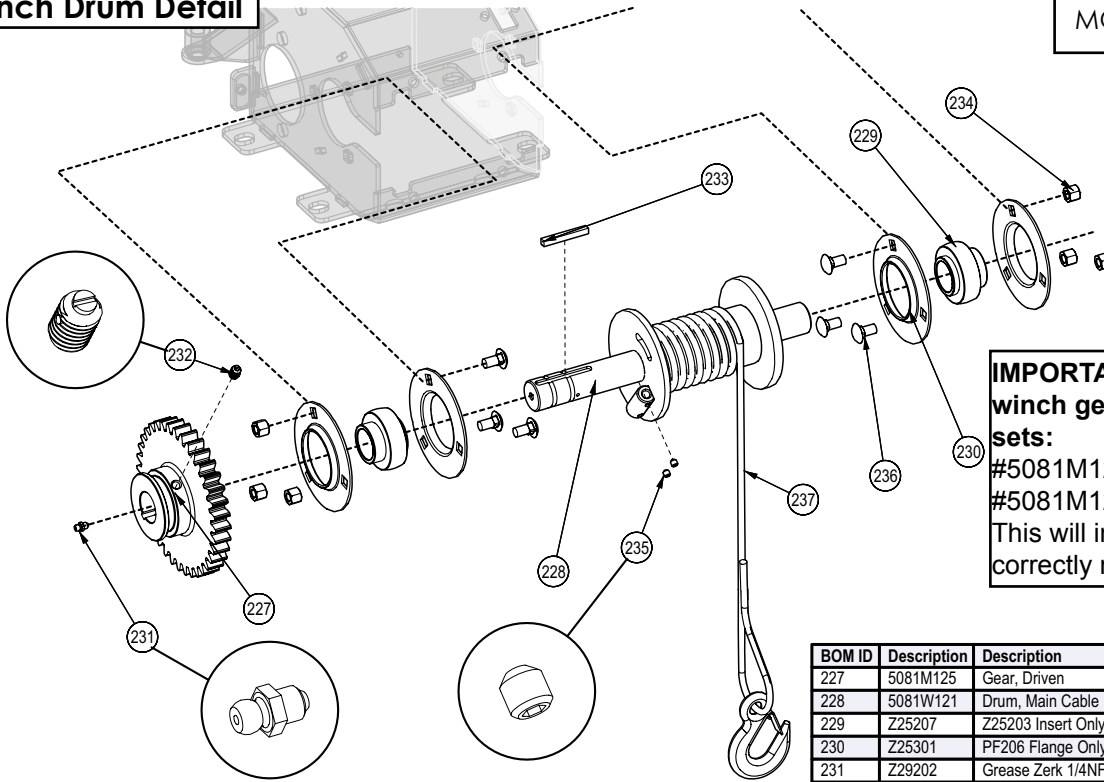


BOM ID	Description	Description	Qty
482	Z71517	Hex Bolt, 1/2NC x 1-3/4"	2
483	Z71535	Hex Bolt, 1/2NC x 3-1/2"	1
484	Z72231	Hex Lock Nut, 3/8NC	2
485	Z72251	Hex Lock Nut, 1/2NC	1
486	Z73131	SAE Washer, 3/8"	2
487	Z74111	Set Screw, 1/4NC x 1/4"	2
488	Z76111	Flange Bolt, 1/4NC x 3/4"	1
489	Z76121	Flange Bolt, 5/16NC x 3/4"	7
490	Z92405	60" Winching Strap	1
491	5081M126	Drive Gear Hub	1
492	Z72551	Serrated Flange LockNut, 1/2NC	2

BOM ID	Description	Description	Qty
470	1083M203	Winch Control Rod	1
471	5012M204	Block, Drum Brake	1
472	5081L114	Washer, Motor Shaft	1
473	5081W102	Housing, Winch	1
474	5081W111	Shield	1
475	5081W112	Handle, Winch Clutch	1
476	5081W114	Holder, Brake Pad	1
477	Z32201	Comp Spring, 10mm OD x 64mm x 0.0475"	2
478	Z51645	Straight, M/JIC x MORB 0610	2
479	Z54108	Hydraulic Motor, 50CCR	1
480	Z56914	Handle Kit, Knob	1
481	Z71105	Hex Bolt, 1/4NC x 1/2"	2

Winch Drum Detail

MODELS BX102RP, BX102RPI

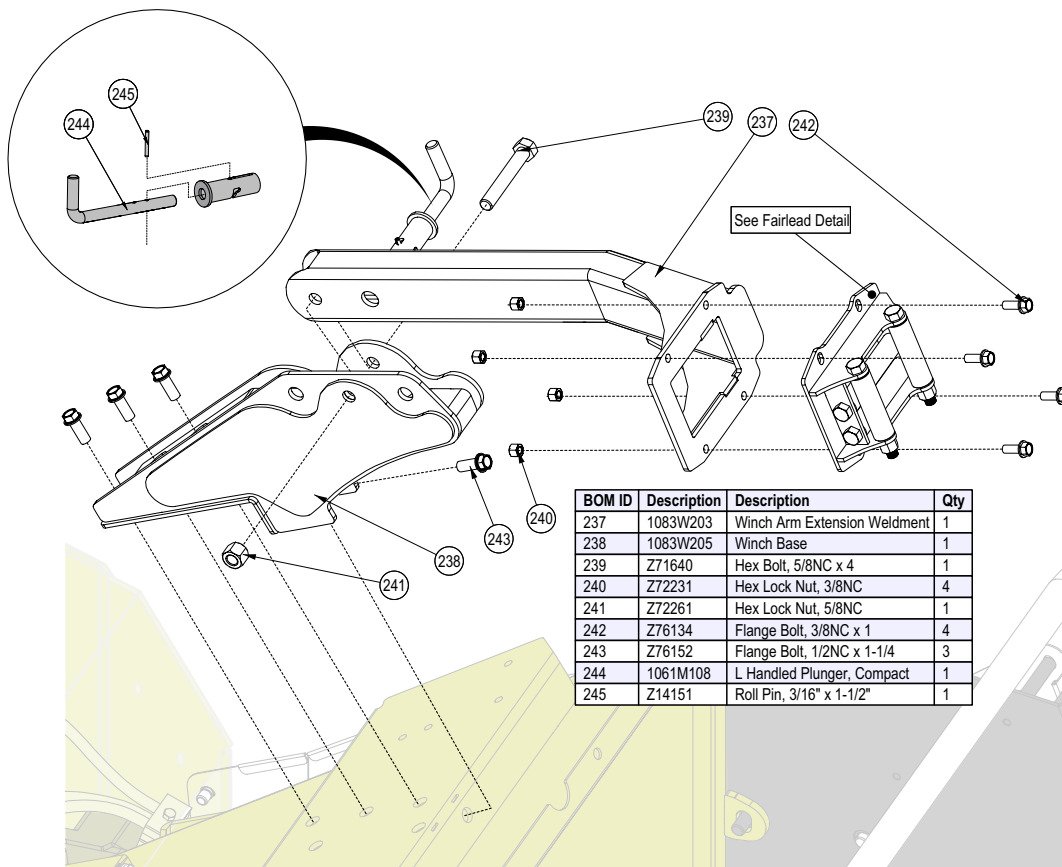


IMPORTANT; When ordering winch gears, please order in sets:
 #5081M126 Drive Gear Hub
 #5081M125 Driven Gear
 This will insure gears are correctly matched.

BOM ID	Description	Description	Qty
227	5081M125	Gear, Driven	1
228	5081W121	Drum, Main Cable	1
229	Z25207	Z25203 Insert Only	2
230	Z25301	PF206 Flange Only	4
231	Z29202	Grease Zerk 1/4NF	1
232	Z34302	Spring Plunger, 3/8NC x 5/8" x 21 lbs	1
233	Z46531	Key, 1/4 x 1/4 x 2	1
234	Z72231	Hex Lock Nut, 3/8NC	6
235	Z74113	Set Screw, 1/4NC x 1/2"	2
236	Z76233	Carriage Bolt, 3/8NC x 3/4"	6
237	Z92112	Synthetic Winch Rope 1/4 x 50' with Hook	1

Winch Arm Ass'y

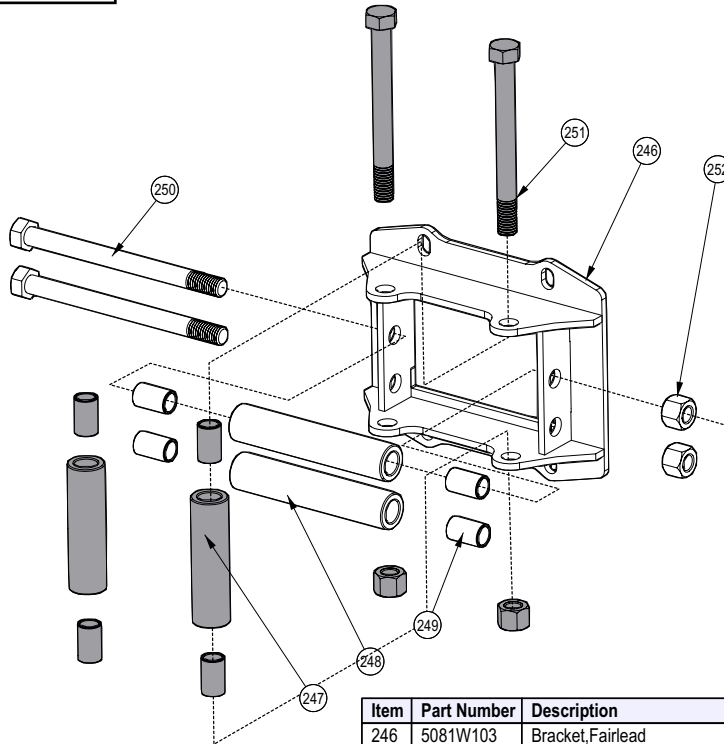
MODELS BX102RP, BX102RPI



BOM ID	Description	Description	Qty
237	1083W203	Winch Arm Extension Weldment	1
238	1083W205	Winch Base	1
239	Z71640	Hex Bolt, 5/8NC x 4	1
240	Z72231	Hex Lock Nut, 3/8NC	4
241	Z72261	Hex Lock Nut, 5/8NC	1
242	Z76134	Flange Bolt, 3/8NC x 1	4
243	Z76152	Flange Bolt, 1/2NC x 1-1/4	3
244	1061M108	L. Handled Plunger, Compact	1
245	Z14151	Roll Pin, 3/16" x 1-1/2"	1

Fairlead Ass'y Detail

MODELS BX102RP, BX102RPI

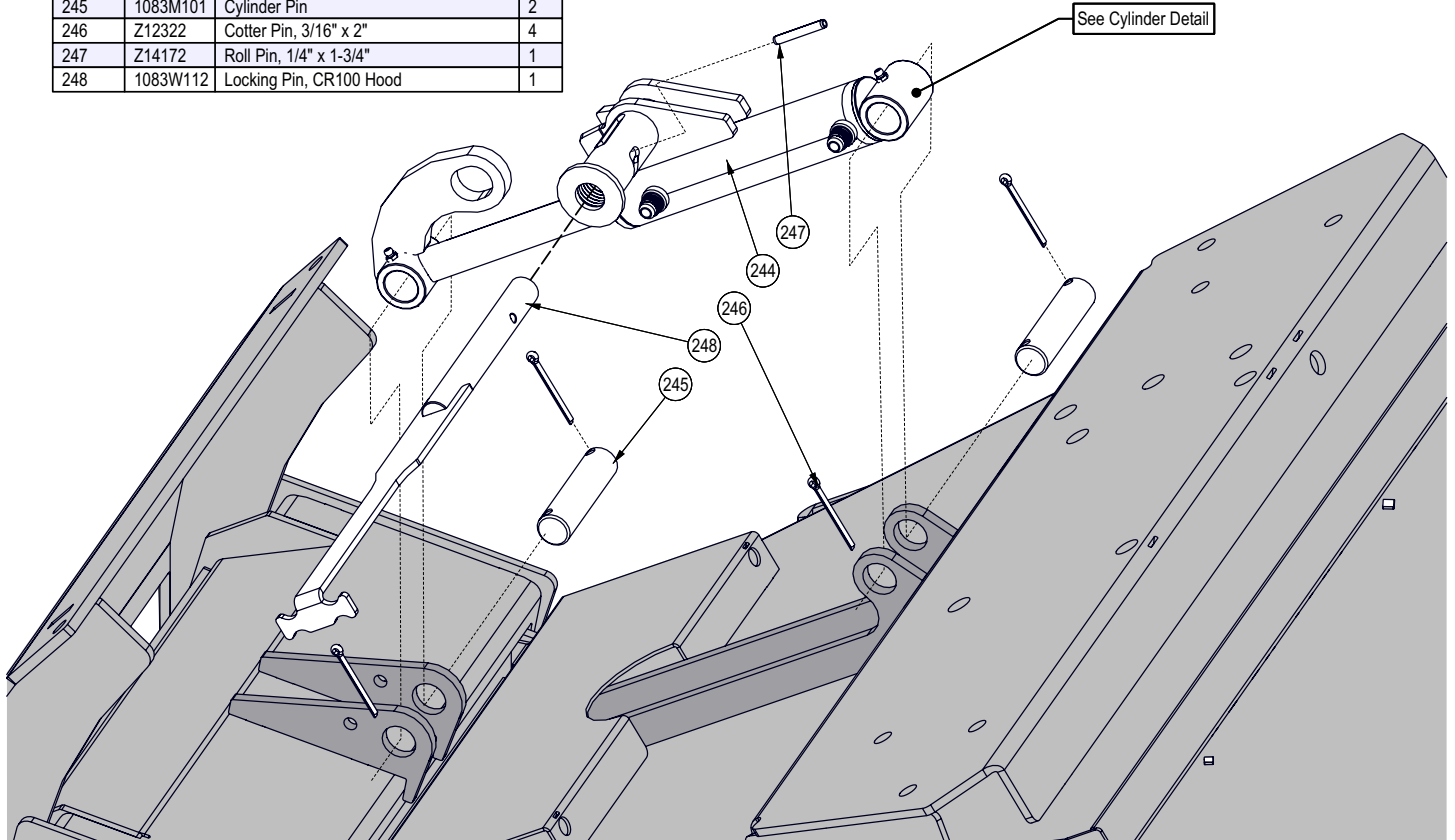


Item	Part Number	Description	Qty
246	5081W103	Bracket, Fairlead	1
247	5081M109	Bushing, Fairlead Side	2
248	5081M111	Bushing, Fairlead Top	2
249	Z27103	Fiberglide Bearing 1/2" x 1"	8
250	Z71566	Hex Bolt, 1/2NC x 6-1/4, 5-1/4 Shank	2
251	Z71567	Hex Bolt, 1/2NC x 5, 4" Shank	2
252	Z72251	Hex Lock Nut, 1/2NC	4

Roller Lift Hydraulic Cylinder

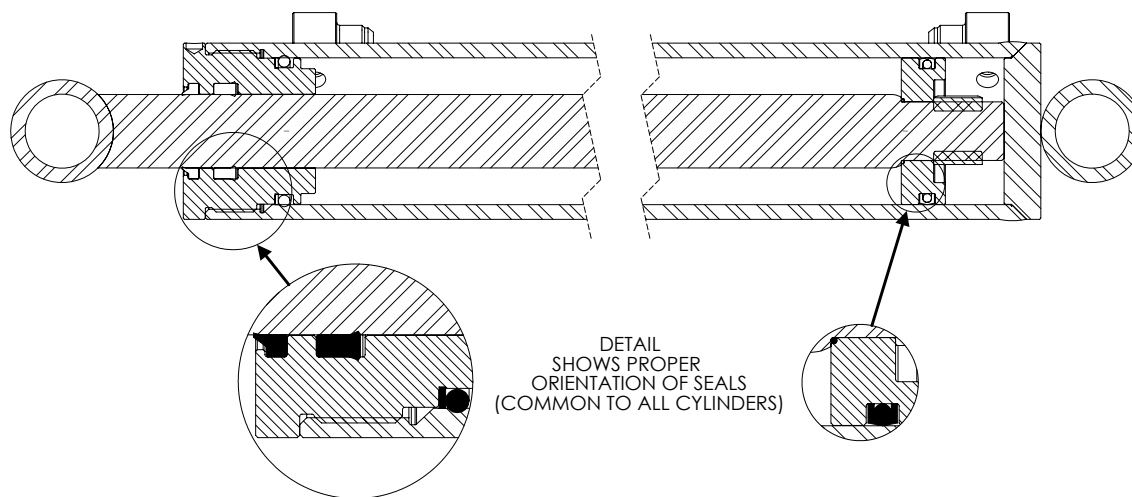
MODELS BX102RP, BX102RPI

BOM ID	Part No.	Description	Qty
244	1083C107	Cylinder, 1-1/2" Bore x 6" Stroke x Locking	1
245	1083M101	Cylinder Pin	2
246	Z12322	Cotter Pin, 3/16" x 2"	4
247	Z14172	Roll Pin, 1/4" x 1-3/4"	1
248	1083W112	Locking Pin, CR100 Hood	1



Cylinder Seal Installation

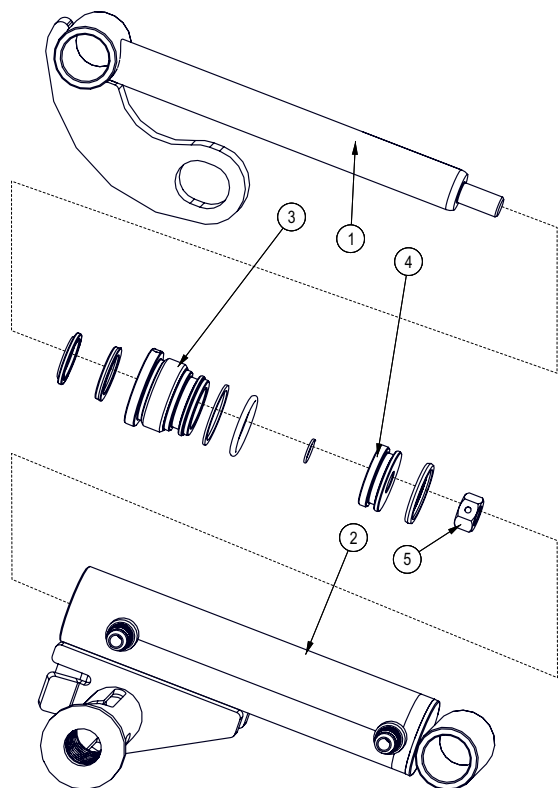
MODELS BX102RP, BX102RPI



Roller Lift Hydraulic Cylinder Detail

MODELS BX102RP, BX102RPI

Seal Kit #SLK-1510AN

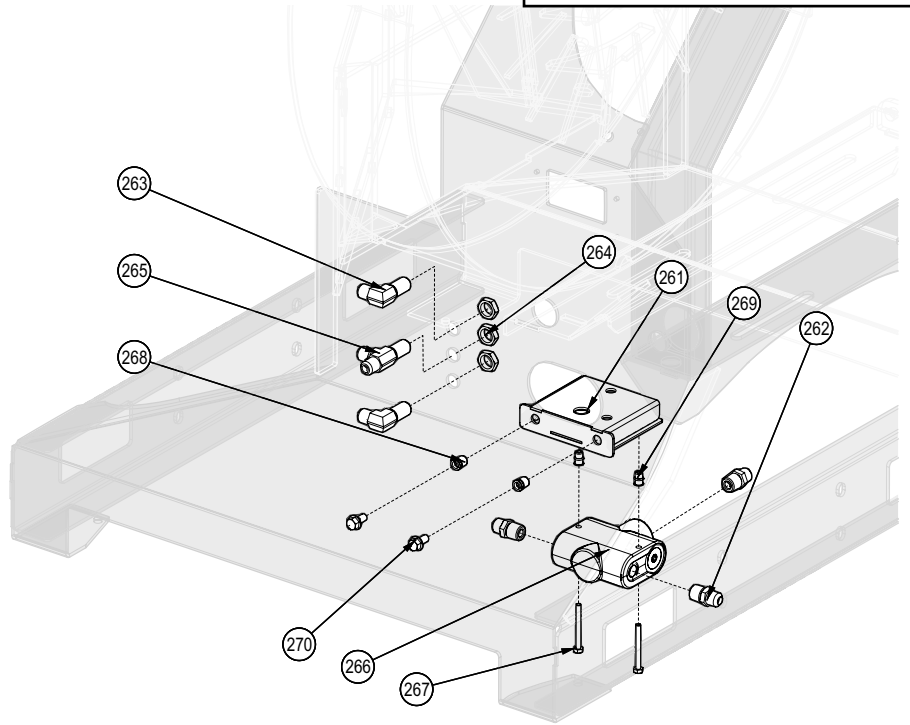


BOM ID	Part No.	Description	Qty
1	1083C1063	Rod, 1x3/4	1
2	1083C1064	Barrel, 1-1/2" Bore	1
3	G150-100S	Gland, 1-1/2" x 1"	1
4	P500-150SP	Piston, 1-1/2" Bore	1
5	Z72254	Hex CTR-lock Nut, 1/2NF	1

Flow Divider Ass'y

MODELS BX102RP, BX102RPI

BOM ID	Description	Description	Qty
261	1083W151	BX102R IntelliFEED Weldment	1
262	Z51442	#8 JIC x 1/2NPT	3
263	Z51492	Elbow 90 MJIC x BH 0808	2
264	Z51493	BH Locknut, 08	3
265	Z51494	Tee, MJIC x BH x MJIC 080808	1
266	Z56306	Brand Flow Divider 70:30	1
267	Z71125	Hex Bolt, 1/4NC x 2-1/2	2
268	Z72958	Riv-Nut 3/8NC x 150	2
269	Z72962	Riv-Nut, 1/4NC x 260	2
270	Z76133	Flange Bolt, 3/8NC x 3/4	2

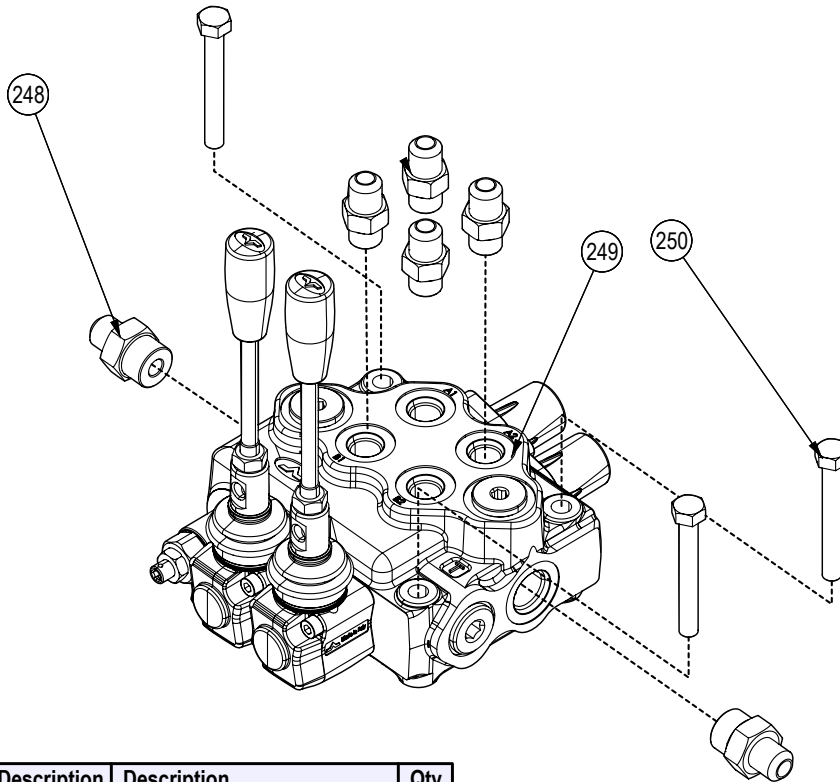


Winch and Roller Lift Hydraulic Controls

MODELS BX102RP, BX102RPI

Seal and Replacement Kits

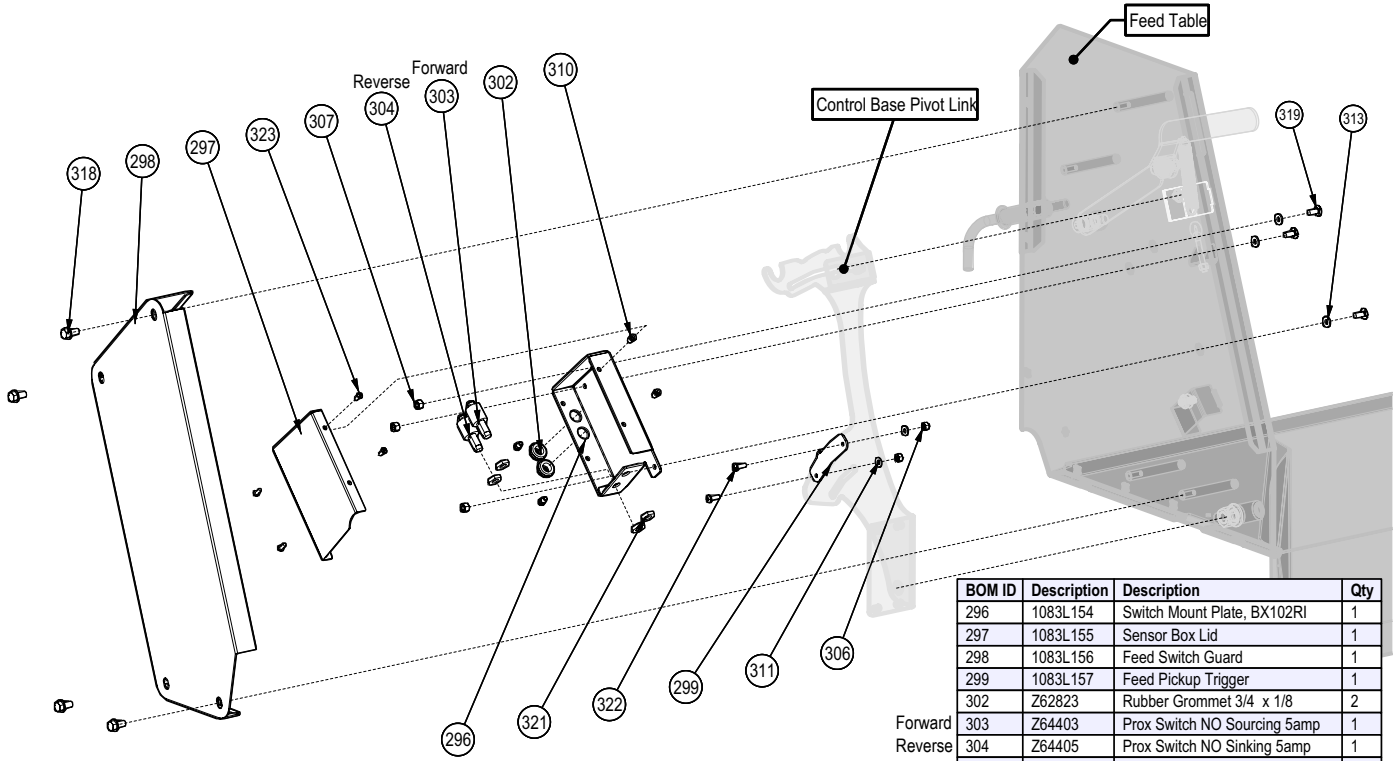
1x SK SD5/1	Complete seal kit for your part #Z56216)
1x SK SD5/2	Complete seal kit for your part #Z56219)
1x L5(M8)	Lever box



BOM ID	Description	Description	Qty
248	Z51644	Straight, MJIC x MORB 0608	6
249	Z56218	Two Spool Valve, VC x 12GPM	1
250	Z71225	Hex Bolt, 5/16NC x 2-1/2"	3

Intellifeed Roller Control Components

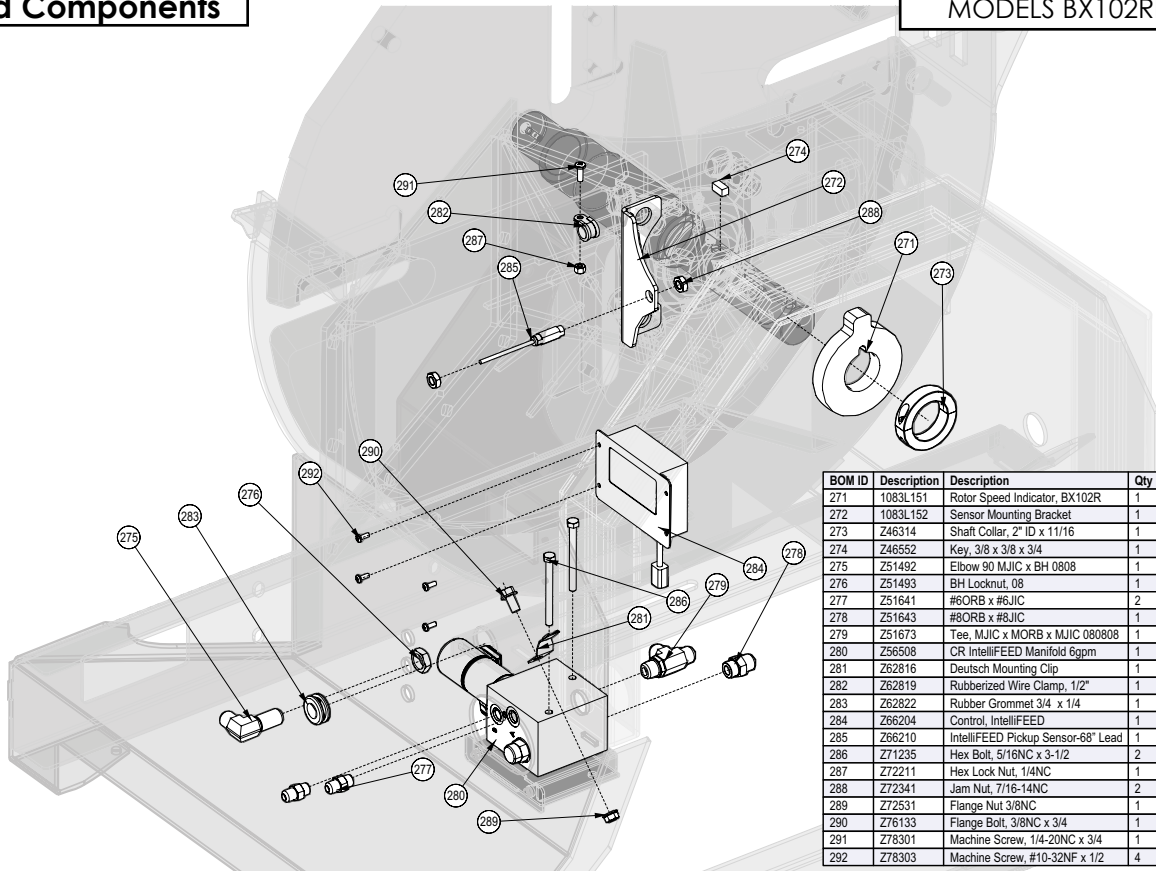
MODELS BX102RI, BX102RPI



BOM ID	Description	Description	Qty
296	1083L154	Switch Mount Plate, BX102RI	1
297	1083L155	Sensor Box Lid	1
298	1083L156	Feed Switch Guard	1
299	1083L157	Feed Pickup Trigger	1
302	Z62823	Rubber Grommet 3/4 x 1/8	2
303	Z64403	Prox Switch NO Sourcing 5amp	1
304	Z64405	Prox Switch NO Sinking 5amp	1
306	Z72211	Hex Lock Nut, 1/4NC	4
307	Z72221	Hex Lock Nut, 5/16NC	4
310	Z72954	Riv-Nut #10-32NF - 130	4
311	Z73111	Flat Washer, 1/4	2
313	Z73123	Rubber Flat Washer, 5/16 x 0.093"	3
318	Z76133	Flange Bolt, 3/8NC x 3/4	4
319	Z76221	Carriage Bolt, 5/16NC x 3/4	3
321	Z77282	Jam Nut, M14 x 1.5	4
322	Z78301	Machine Screw, 1/4-20NC x 3/4	2
323	Z78303	Machine Screw, #10-32NF x 1/2	4

Intellifeed Components

MODELS BX102RI, BX102RPI

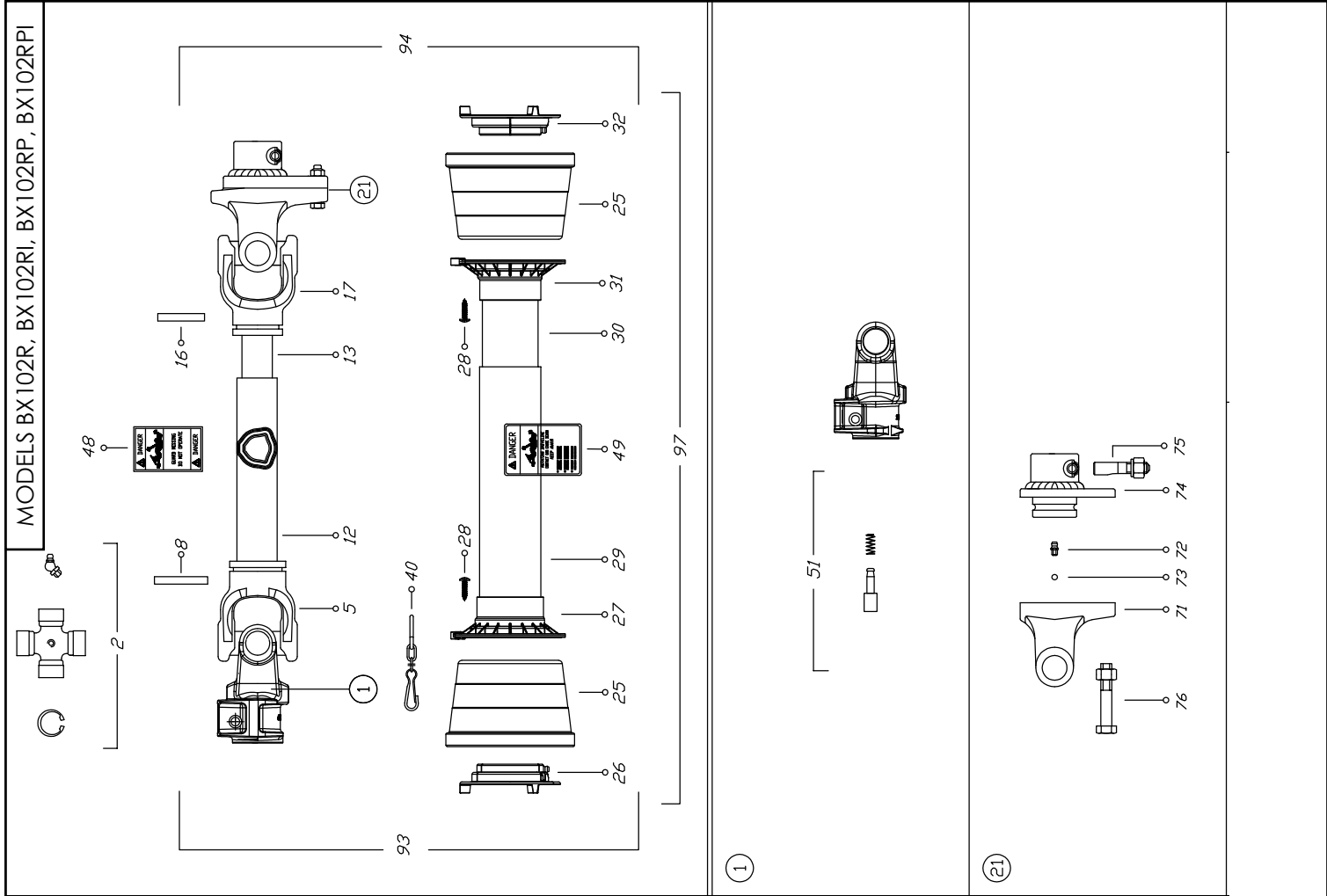


BOM ID	Description	Description	Qty
271	1083L151	Rotor Speed Indicator, BX102R	1
272	1083L152	Sensor Mounting Bracket	1
273	Z46314	Shaft Collar, 2" ID x 11/16	1
274	Z46552	Key, 3/8 x 3/8 x 3/4	1
275	Z51492	Elbow 90 MJIC x BH 0808	1
276	Z51493	BH Locknut, 08	1
277	Z51641	#8ORB x #6JIC	2
278	Z51643	#8ORB x #8JIC	1
279	Z51673	Tee, MJIC x MORB x MJIC 080808	1
280	Z56508	CR IntellIFEED Manifold 6gpm	1
281	Z62816	Deutsch Mounting Clip	1
282	Z62819	Rubberized Wire Clamp, 1/2"	1
283	Z62822	Rubber Grommet 3/4 x 1/4	1
284	Z66204	Control, IntellIFEED	1
285	Z66210	IntellIFEED Pickup Sensor-68" Lead	1
286	Z71235	Hex Bolt, 5/16NC x 3-1/2	2
287	Z72211	Hex Lock Nut, 1/4NC	1
288	Z72341	Jam Nut, 7/16-14NC	2
289	Z72531	Flange Nut 3/8NC	1
290	Z76133	Flange Bolt, 3/8NC x 3/4	1
291	Z78301	Machine Screw, 1/4-20NC x 3/4	1
292	Z78303	Machine Screw, #10-32NF x 1/2	4

PTO Shaft #Z44802

MODELS BX102R, BX102RI, BX102RP, BX102RPI

SPARE PARTS LIST : B8D061US098001		
POS.	DESCRIPTION	Q. RIF. BINACCHI
01	YOKE	1 0800803A60
02	CROSS JOURNAL ASS.	2 08208
05	OUTER TUBE YOKE	1 08080021
08	FLEXIBLE PIN	1 098701075
12	CM. 100 CARDAN TUBE(*)	1 09881544100
13	CM. 100 CARDAN TUBE(*)	1 09881455100
16	FLEXIBLE PIN	1 098701065
17	INNER TUBE YOKE	1 08080011
21	SHEAR BOLT M12X65	1 Z19408 (5 pack)
25	CONE SHIELD BELL 07-08	2 021908C001
26	OUTER BEARING	1 025508C001
27	OUTER BASE CONE 07-08	1 025408C001
28	SCREW	8 0998052242
29	OUTER SAFETY TUBE	1 0988981NB8066
30	INNER SAFETY TUBE	1 0988975NB8066
31	INNER BASE CONE 07-08	1 025408C002
32	INNER BEARING	1 025508C002
40	CHAIN	1 0252000001
48	LABEL DANGER OUTER DRIVE TUBE	1 09872006
49	EXTERNAL SHIELD LABEL	1 09872003
51	COMPLETE PUSH BUTTION	1 0986014060
71	YOKE FOR LB8	1 088608553
72	GREASE NIPPLE	1 0984010150
73	STEEL BALL	24 098680516
74	HUB	1 08868P70
75	CONIC SCREW	1 0408000061
76	NUT AND BOLT M12 x 65	1 Z19408
93	OUTER HALF SHAFT	1 B8061US2
94	INNER HALF SHAFT	1 B8061US1098001
97	SAFETY GUARD	1 083US08061



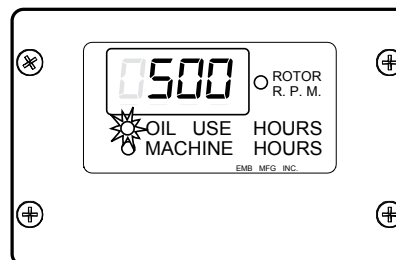
Intellifeed Settings

Programming Hints: The factory settings provide good overall performance for the BX chippers, however you may under certain circumstances, choose to customize performance. Here are some helpful hints:

- For heavier brush, decrease the upper flow percentage for slower feed speed.
- For lighter brush, increase the upper flow percentage for faster feed speed.
- If the chipper is stalling before the feed rolls stop, increase the rotor floor setting.
- If you prefer more aggressive feeding with faster feed and more stops, increase the lower flow percentage.

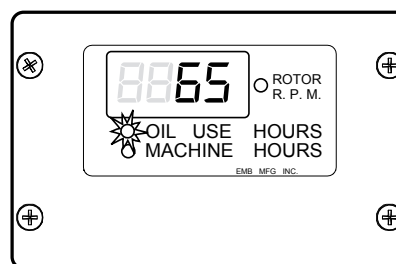
1. Programming Upper RPM Limit (Ceiling):

- **factory setting is :**
 - **500 RPM for 540 RPM operating speed**
 - **950 RPM for 1000 RPM operating speed**
- Press mode button twice. Digital readout will display current upper limit setting. This represents the RPM at which the Rapid Recovery Auto Reverse will re-start the feed rolls after a suspension.
- Oil Use indicator will flash. Increase or decrease setting using program buttons



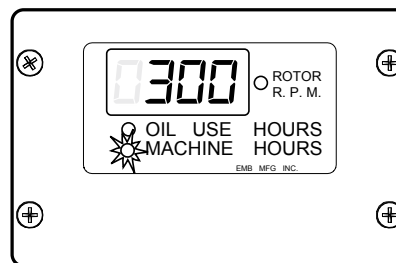
2. Programming Upper Flow Percentage:

- **factory setting is 65%**
- Press mode button once more. Digital readout will display current upper flow setting. This represents the percent of hydraulic flow that will be sent to the feed rolls (Feed speed.).
- Oil Use indicator will flash. Increase or decrease setting using program buttons, do not set above 80 %



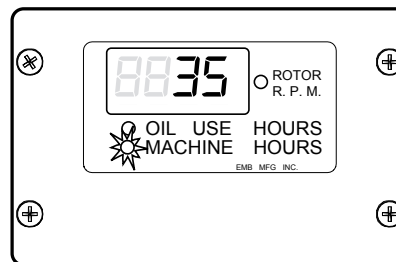
3. Programming Lower RPM Limit (Floor) :

- **Factory setting is:**
 - **300 RPM for 540 RPM operating speed**
 - **650 RPM for 1000 RPM operating speed**
- Press mode button once more. Digital readout will display current lower limit setting. This represents the rotor RPM at which the Rapid Recovery Auto Reverse will reverse and suspend the feed rolls.
- Machine hours indicator will flash. Increase or decrease setting using program buttons.

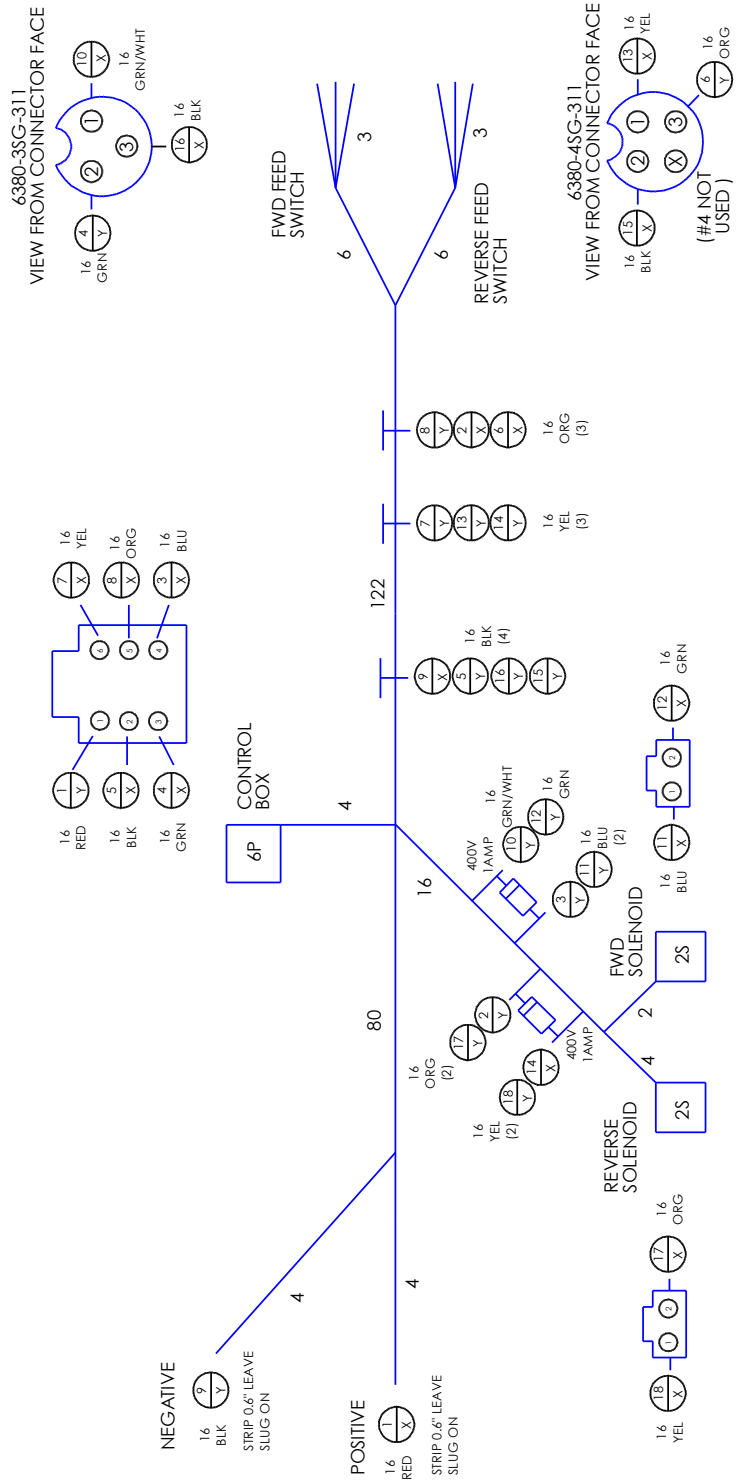


4. Programming Lower Flow Percentage:

- **factory setting is 35%**
- Press mode button once more. Digital readout will display current lower flow setting. This represents the percent of hydraulic flow that will be sent to the feed rolls (Feed speed.).
- Machine hours indicator will flash. Increase or decrease setting using program buttons, do not set below 25%



NOTE: HARNESS IS BRAIDED

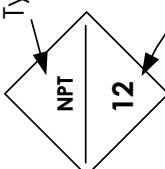


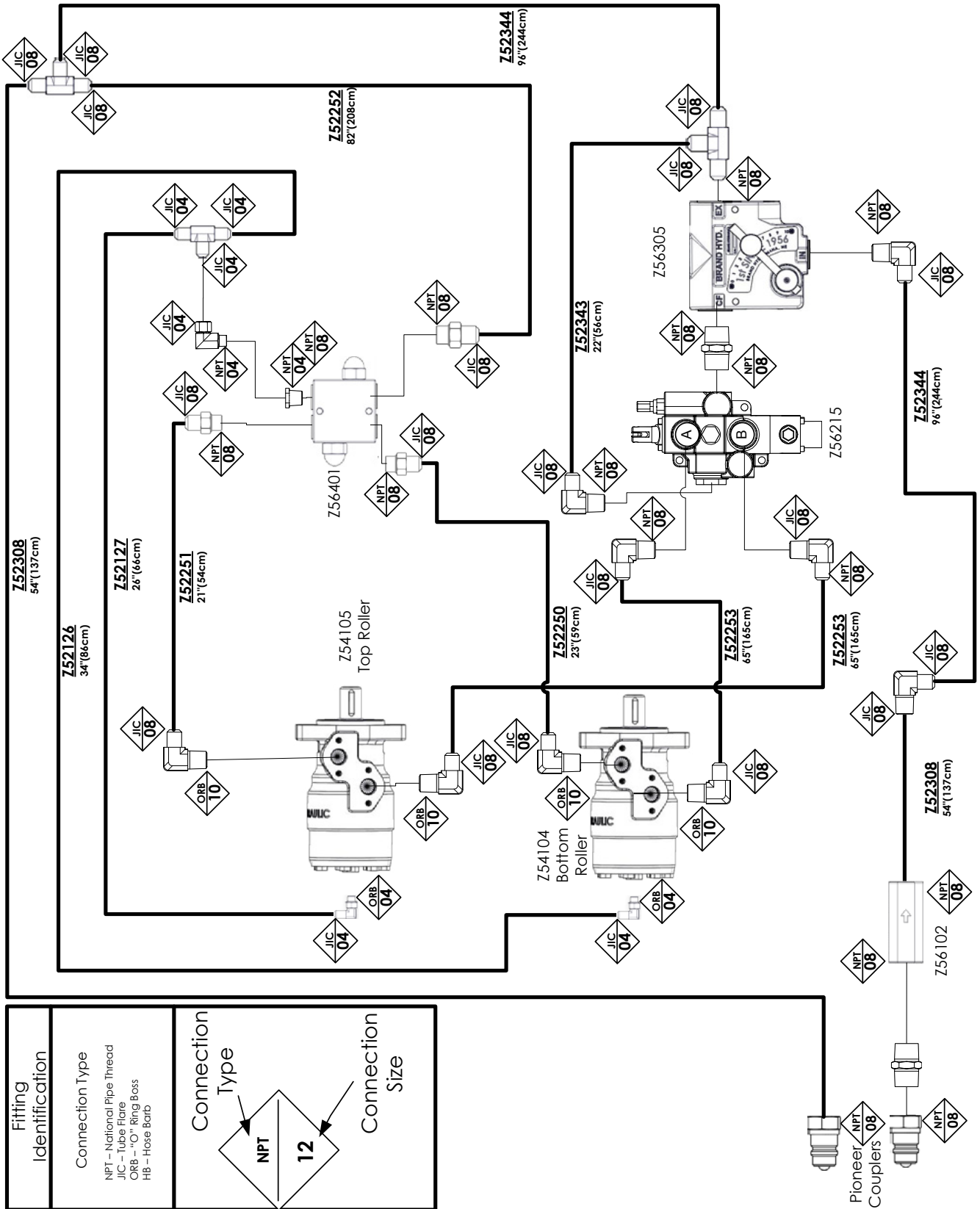
Hydraulic Hose Parts List

The Chart below is a complete list of hydraulic hoses for all models of the BX102. For information on your model and its hose connections please review the hydraulic schematics on the following pages.

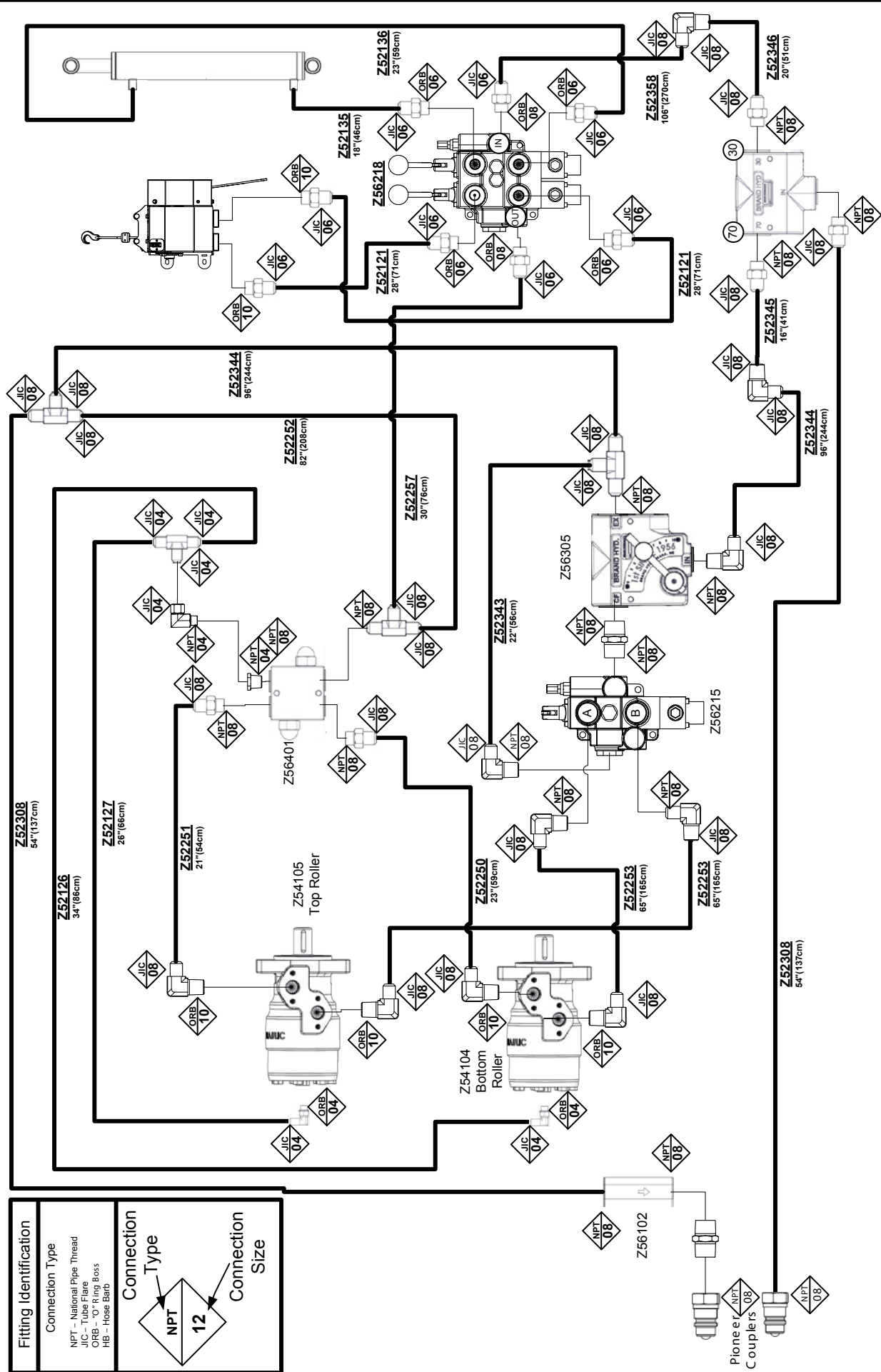
PARTNUMBER		Description	QTY.
With Protective Sleeve	With Out Protective Sleeve		
n/a	Z29312	1/4 Grease Hose, MP02 x MP02 x 13"	2
n/a	Z29313	1/4 Grease Hose, MP02 x MP02 x 16"	2
Z52121SC	Z52121	1/4 Hose, FJIC06 x 90FJIC06 x 28"	2
Z52126SC	Z52126	1/4 Hose, FJIC04 x 90FJIC04 x 34"	1
Z52127SC	Z52127	1/4 Hose, FJIC04 x 90FJIC04 x 26"	1
Z52135SC	Z52135	1/4 Hose, FJIC06 x 90FJIC06 x 18"	1
Z52136SC	Z52136	1/4 Hose, FJIC06 x 90FJIC06 x 23"	1
Z52250SC	Z52250	3/8 Hose, FJIC08 x 90FJIC08 x 23"	1
Z52251SC	Z52251	3/8 Hose, FJIC08 x 90FJIC08 x 21"	1
Z52252SC	Z52252	3/8 Hose, FJIC08 x 90FJIC08 x 82"	1
Z52253SC	Z52253	3/8 Hose, FJIC08 x FJIC08 x 65"	2
Z52257SC	Z52257	3/8 Hose, FJIC08 x 45FJIC06 x 30"	1
Z52258SC	Z52258	3/8 Hose, FJIC08 x 45FJIC06 x 106"	1
Z52308SC	Z52308	1/2 Hose, MP08 x FJIC08 x 54"	2
Z52343SC	Z52343	1/2 Hose, FJIC08 x FJIC08 x 22"	1
Z52344SC	Z52344	1/2 Hose, FJIC 08 x FJIC08 x 96"	2
Z52345SC	Z52345	1/2 Hose, FJIC08 x 90FJIC08 x 16"	1
Z52346SC	Z52346	1/2 Hose, FJIC08 x 90FJIC08 x 20"	1
1021F101SC	1021F101	1/2 Hose, FJIC08 x MP08 x 84"	2
1021F108SC	1021F108	3/8 Hose, FJIC08 x 90FJIC08 x 82"	1
1021F109SC	1021F109	1/2 Hose, FJIC08 x FJIC08 x 96"	2
1021F110SC	1021F110	3/8 Hose, FJIC08 x FJIC08 x 65"	2
1021F111SC	1021F111	1/2 Hose, FJIC08 x 90FJIC08 x 16"	1
1021F112SC	1021F112	3/8 Hose, FJIC08 x 90FJIC06 x 110"	1
1021F113SC	1021F113	3/8 Hose, FJIC08 x 90FJIC06 x 106"	1
1021F114SC	1021F114	3/8 Hose, FJIC08 x FJIC08 x 82"	1
1023F108SC	1023F108	1/2 Hose, FJIC08 x FJIC08 x 22"	1

Hydraulic Schematic BX102R

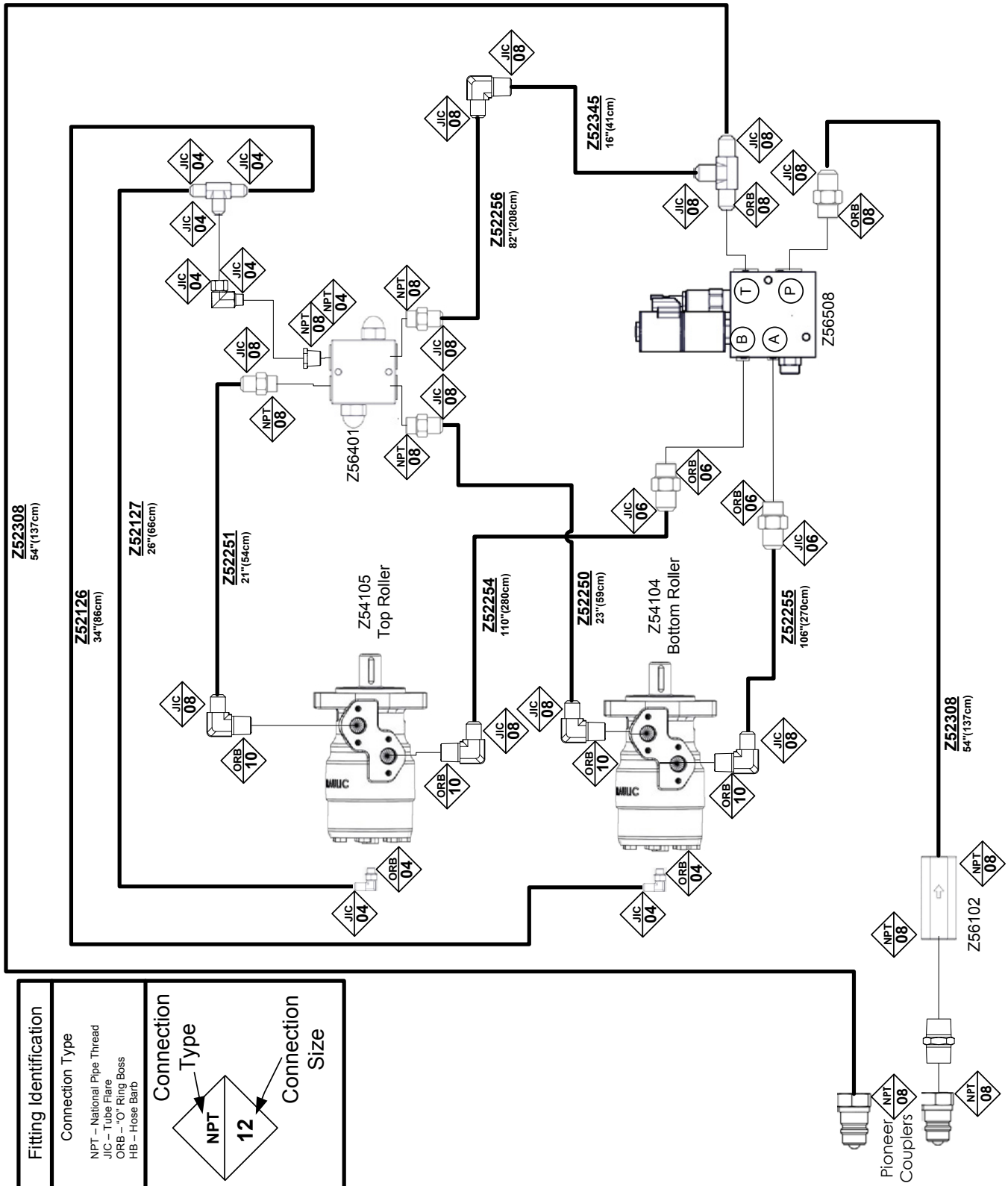
Fitting Identification
Connection Type NPT - National Pipe Thread JIC - Tube Flare ORB - "O" Ring Boss HB - Hose Barb
Connection Type 
Connection Size 12



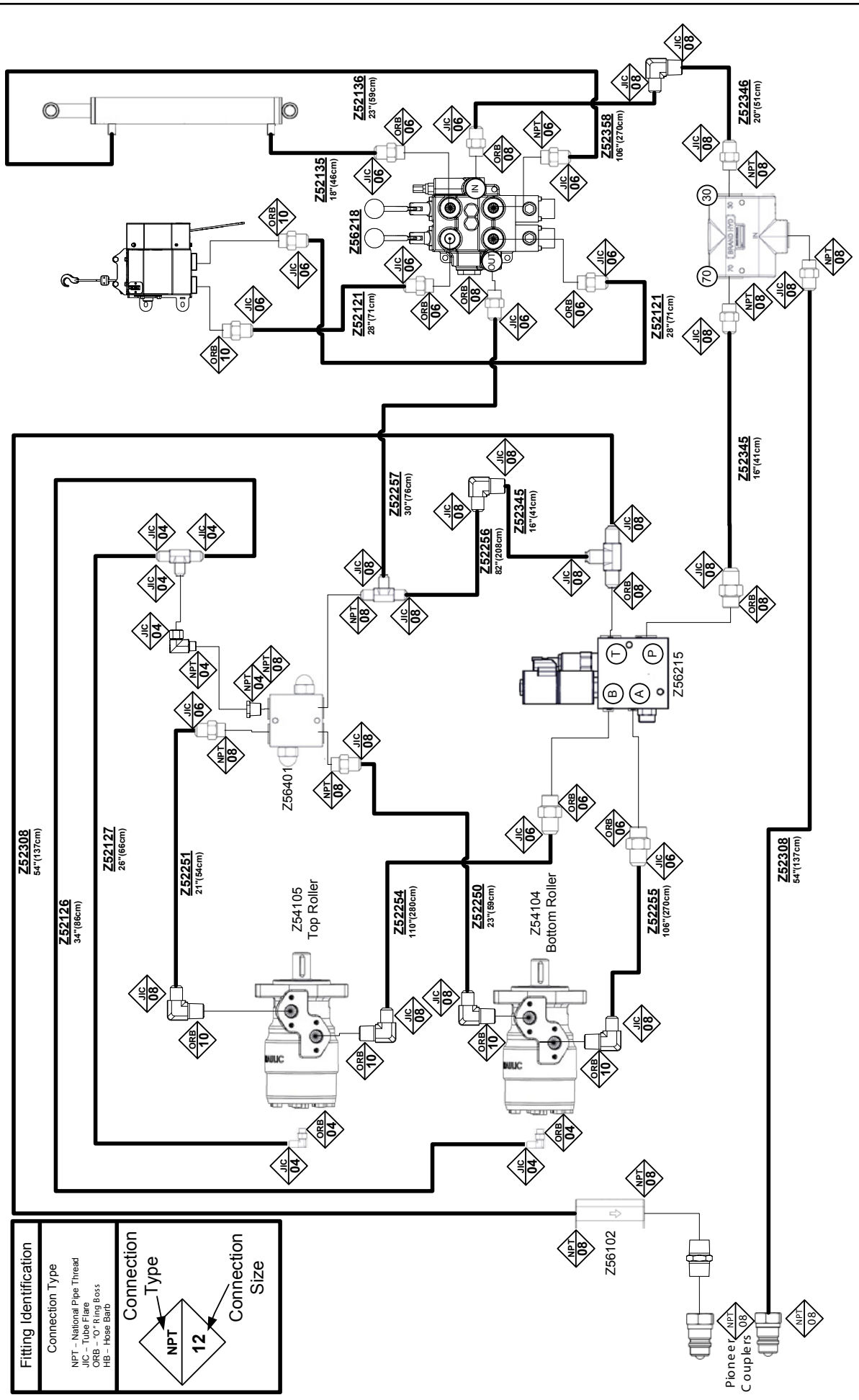
Hydraulic Schematic BX102RP



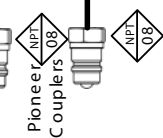
Hydraulic Schematic BX102RI



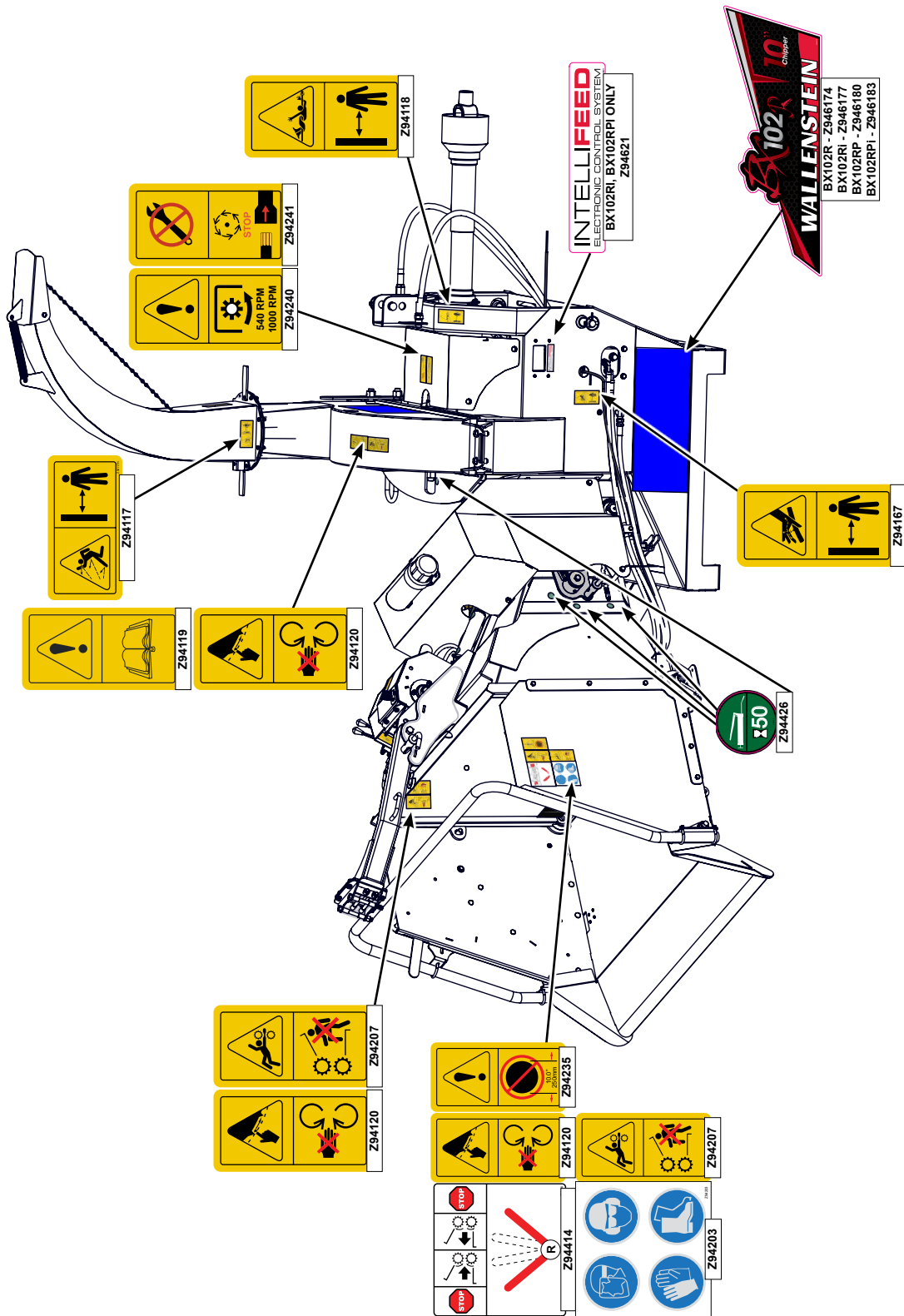
Hydraulic Schematic BX102RPI



Fitting Identification	
Connection Type	
NPT	National Pipe Thread
JIC	Tube Flare
ORB	1/2" Ring Boss
HB	Hose Barb
Connection Type	
12	Connection Size



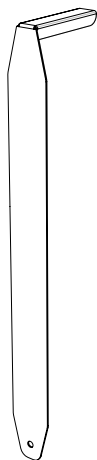
Labels - Right Side View



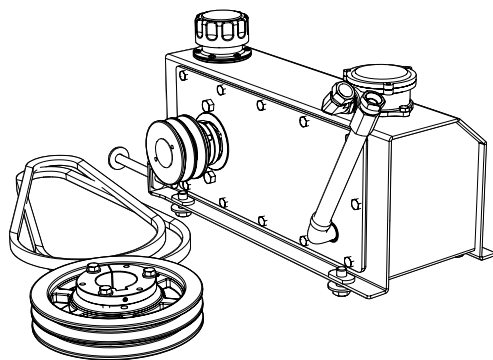
Accessories

Call your dealer for pricing and availability

#1012L269



#1012L269 Ledger Clearance Setting Gauge.



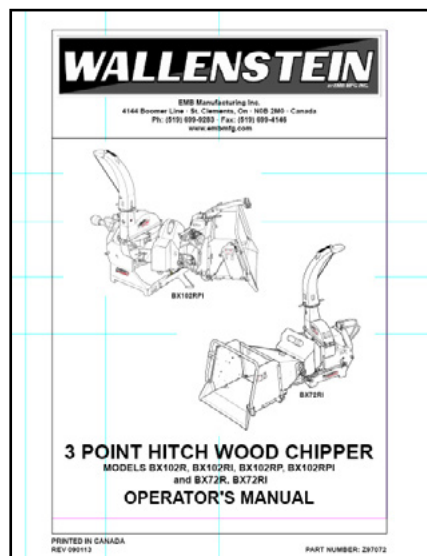
#C4550

#C4550 SELF CONTAINED PTO POWER PACK

For model: **BX102 Series**

Easy to install

For tractors without available hydraulics, the optional power-pack mounts on the chipper just under the PTO shaft, and provides you with the means to operate the hydraulic feed hopper on model BX102R.



#Z97072 OPERATOR'S MANUAL

Available as a download at
www.wallensteinequipment.com