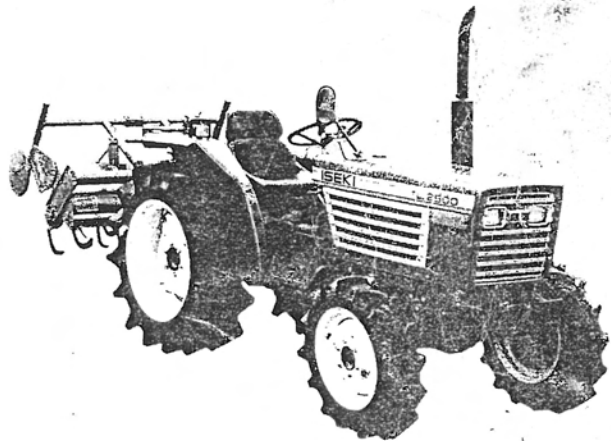


# *Parts List*

**TL2100, F**  
**TL2300, F**  
**TL2500, F**



## TRACTOR

TL2100-C, -H, TL2100F-C, -H  
TL2300-C, -H, -G TL2300F-C, -H, -G  
TL2500-C, -H, -G TL2500F-C, -H, -G



Parts Code

1400-099-0320-0



昭和 55 年 3 月 発行

キセキトラクター

TL 2100,F 2300,F 2500,F 型

パ ー ツ リ ス ト

不 許

複 製

非売品

発行 井 関 農 機 株 式 会 社

東京都千代田区紀尾井町 3 番 6 号

担当 営 業 本 部

自來水公司

一、

1. 2. 3. 4. 5. 6. 7. 8. 9. 10.

11. 12. 13. 14. 15. 16. 17. 18. 19. 20.

21. 22. 23. 24. 25. 26. 27. 28. 29. 30.

31. 32. 33. 34. 35. 36. 37. 38. 39. 40.

41. 42. 43. 44. 45. 46. 47. 48. 49. 50.



部品コード	見出番号	部品コード	見出番号
1446-216-0010-0	27-39	1446-616-2000-0	74- 1
1446-216-0020-0	27-33 29-38	1446-616-2100-0	74- 2
1446-216-0030-0	27-34 29-39	1446-622-0010-0	46-35
1446-216-0040-0	27-35 29-40	1446-622-0020-0	59-37
1446-216-2000-0	27-38 29-43	1446-622-0030-0	59-41
1446-301-0010-0	39-26	1446-622-2000-0	77-19
1446-304-0010-0	41- 1 42- 1	1446-622-2100-0	77-20
1446-306-0010-0	41-22	1446-622-2300-0	46-30
1446-309-0010-0	32- 3	1446-622-2400-0	59-36
1446-311-0010-0	32- 5	1446-901-0010-0	81- 1
1446-311-0020-0	32- 6 33- 6	1446-901-0020-0	81- 2
1446-316-0010-0	46-29	1446-902-0010-0	81- 1-1
1446-316-2000-0	46-17-1	1446-902-0020-0	81- 2-1
1446-316-2100-0	46-19-1	1446-903-0010-0	81-35 82-35
1446-324-0010-0	49- 9	1446-903-0020-0	81-38 82-38
1446-328-2000-0	52-12	1446-903-0030-0	81-39 82-39
1446-331-2110-0	54- 2	1446-903-0040-0	81-40 82-40
1446-402-0010-0	7-26	1446-903-0050-0	81-41 82-41
1446-402-0020-0	7-27	1446-903-0060-0	81-42 82-42
1446-402-0030-0	10- 6 11- 5	1446-907-0010-0	81-32
1446-404-0010-0	10-22 11-30	1446-908-0010-0	81-33
1446-404-0020-0	10-23 11-31	1447-040-2000-0	11- 1
1446-404-2000-0	10-11 11-19	1447-040-2100-0	11-11
1446-412-2000-0	13- 1	1447-040-2200-0	11-12
1446-413-0010-0	13-10	1447-306-0010-0	42-22
1446-413-0020-0	16-26	1447-309-0010-0	33- 3
1446-413-0030-0	16-27	1447-331-2110-0	55- 7
1446-417-2110-0	21- 2	1447-331-2200-1	55- 1
1446-507-2000-0	61- 4	1447-404-0010-0	11-36
1446-510-2000-0	63- 6	1447-404-0020-0	11-37
1446-510-2100-0	63-17 64-22	1447-404-2000-0	11-38
1446-511-2000-0	64- 6	1447-404-2100-0	11-46
1446-511-2100-0	64-15	1447-417-2110-0	22- 2
1446-511-2200-0	64-45	1447-417-2200-1	22- 1
1446-511-2300-0	64-46	1447-901-0010-0	82- 1
1446-601-0150-0	81-36 82-36	1447-901-0020-0	82- 2
1446-607-2000-0	70-46	1447-902-0010-0	82- 1-1
1446-611-2000-0	72-14	1447-902-0020-0	82- 2-1

部品コード	見出番号	部品コード	見出番号
1444-621-0030-0	78- 5	1444-904-0030-0	80-18 81-18 82-18
1444-621-0050-0	76- 5 77- 5	1444-904-0040-0	80-19 81-19 82-19
1444-621-0060-0	76- 6 77- 6	1444-904-0050-0	80-20 81-20 82-20
1444-621-0070-0	36-39	1444-904-0060-0	80-21 81-21 82-21
1444-621-0080-0	78-16	1444-904-0070-0	80-22 81-22 82-22
1444-621-0090-0	78- 1	1444-904-0080-0	80-23 81-23 82-23
1444-621-0120-0	78- 3	1444-904-0090-0	80-24 81-24 82-24
1444-621-0130-0	78- 4	1444-908-0020-0	80-34 81-34 82-34
1444-621-0140-0	4-52	1444-952-0010-0	6-38 7-38
1444-621-0150-0	4-53	1444-954-0010-0	83-22
1444-621-0160-0	68-14	1445-040-2000-0	9-1
1444-621-2000-0	75- 5	1445-120-0010-0	35- 7
1444-621-2100-0	76- 1 77- 1	1445-120-0020-0	35- 8
1444-621-2300-0	76-13 77-13	1445-120-2000-0	35- 1
1444-621-2320-0	76-14 77-14	1445-120-2010-0	35- 2
1444-621-2400-0	78-17	1445-120-2020-0	35- 3
1444-621-2420-0	78-18	1415-121-0090-0	35-14
1444-621-2430-0	78-19	1445-331-2110-0	53- 2
1444-621-2500-0	78-22	1445-331-2200-1	53- 1
1444-621-2520-0	78-23	1445-514-0010-0	65-23
1444-621-2600-0	73-17 74-17	1445-514-0020-0	65-24
1444-621-2700-0	78-28	1445-514-0030-0	65-27
1444-621-2800-0	78- 6	1445-514-0040-0	65-29
1444-621-2900-0	4-51	1445-514-0050-0	65-32
1444-621-3000-0	76-18 77-18	1445-514-2000-0	65- 7
1444-621-3100-0	76- 4 77- 4	1445-514-2100-0	65-15
1444-621-3300-0	78- 2	1445-514-2200-0	65-16
1444-621-3310-0	78-37	1445-514-2300-0	65-22
1444-901-0030-0	80- 3 81- 3 82- 3	1445-514-2400-0	65-31
1444-901-0040-0	80- 4 81- 4 82- 4	1445-514-2500-0	65-38
1444-901-0050-0	80- 5 81- 5 82- 5	1445-901-0010-0	80- 1
1444-901-0060-0	80- 6 81- 6 82- 6	1445-901-0020-0	80- 2
1444-901-0070-0	80- 7 81- 7 82- 7	1445-902-0010-0	80- 1-1
1444-902-0030-0	80- 3-1 81- 3-1 82- 3-1	1445-902-0020-0	80- 2-1
1444-902-0040-0	80- 4-1 81- 4-1 82- 4-1	1445-907-0010-0	80-32
1444-902-0050-0	80-15 81-15 82-15	1445-908-0010-0	80-33
1444-904-0010-0	80-16 81-16 82-16	1446-040-2000-0	10- 1
1444-904-0020-0	80-17 81-17 82-17	1446-215-0010-0	27-27 29-32

部品コード	見出番号	部品コード	見出番号
1444-514-2800-0	65-43	1444-604-2200-0	66- 5
1444-601-0010-0	4- 2	1444-604-2300-0	66- 6
1444-601-0020-0	4- 8	1444-604-2400-0	66-10
1444-601-0030-0	4- 9	1444-604-2500-0	66-11
1444-601-0040-0	4-11	1444-604-2600-0	36-37
1444-601-0050-0	4-15	1444-604-2700-0	36-38
1444-601-0060-0	4-16	1444-604-2800-0	66-14
1444-601-0070-0	4-22	1444-604-2900-0	66-18
1444-601-0080-0	4-23	1444-606-0010-0	67- 6 68- 6
1444-601-0090-0	23-37	1444-606-2000-1	67- 1 68- 1
1444-601-0110-0	23-38 69-35 70-35	1444-606-2200-1	67- 2 68- 2
1444-601-0120-0	4-29	1444-607-0010-0	69- 7 70- 7
1444-601-0130-0	4-30	1444-607-0020-0	69-15 70-15
1444-601-0140-0	4-34	1444-607-0030-0	69-20 70-20
1444-601-0150-0	4-36 80-13 80-25 81-13 81-25 82-13 82-25	1444-607-0040-0	69-27 70-27
1444-601-0160-0	4-40	1444-607-2000-0	69- 1 70- 1
1444-601-0170-0	4-41	1444-607-2100-0	69- 2 70- 2
1444-601-0180-0	4-46	1444-607-2200-0	69- 6 70- 6
1444-601-0190-0	4-47	1444-607-2400-0	69- 8 70- 8
1444-601-0210-0	4-25	1444-607-2500-0	69-19 70-19
1444-601-0220-0	4-26	1444-607-2600-0	69-26 70-26
1444-601-0230-0	4-27	1444-607-2700-0	69-34 70-34
1444-601-0240-0	4-28	1444-607-2800-0	69-38 70-38
1444-601-2000-1	4- 1	1444-607-2900-0	69-42 70-42
1444-601-2300-0	4-13	1444-607-3000-0	69-46
1444-601-2400-0	4- 6	1444-611-0010-0	71-17 72-17
1444-601-2500-0	4- 7	1444-611-0020-0	71-20 72-20
1444-601-2600-0	4-35	1444-611-2000-0	71- 1 72- 1
1444-604-0010-0	66- 3	1444-611-2010-0	71- 2 72- 2
1444-604-0020-0	66- 7	1444-611-2100-0	71- 8 72- 8
1444-604-0030-0	66- 8	1444-611-2200-0	71-11 72-11
1444-604-0040-0	66-15	1444-611-2300-0	71-14
1444-604-0050-0	66-19	1444-616-0010-0	73- 3 74- 3
1444-604-0060-0	66-20	1444-616-2000-0	73- 1
1444-604-0070-0	66-22	1444-616-2100-0	73- 2
1444-604-2000-0	66- 1	1444-616-2200-0	73- 9 74- 9
1444-604-2100-0	66- 2	1444-616-2300-0	73-10 74-10
		1444-621-0020-0	75- 9



部品コード	見出番号	部品コード	見出番号
1444-413-0060-0	12-19 13-19	1444-506-2100-0	58-23 59-23
1444-413-0080-0	15- 3 16- 3	1444-506-2120-0	60- 1 61- 1
1444-413-0090-0	15- 4 16- 4	1444-507-0010-0	58-35 59-35
1444-413-0130-0	15-12 16-12	1444-507-0020-0	60-28 61-28
1444-413-0140-0	20- 7 21- 7 22- 7	1444-507-0030-0	60-29 61-29
1444-413-0150-0	15-16 16-16	1444-507-2100-0	60- 4
1444-413-0160-0	15-21 16-21	1444-507-2200-0	60- 7 61- 7
1444-413-0170-0	20-10 21-10 22-10	1444-507-2300-0	60-13 61-13
1444-413-0180-0	10-28 15-26	1444-507-2400-0	60-18 61-18
1444-413-0190-0	10-29 15-27	1444-507-2500-0	60-21 61-21
1444-501-0020-0	57-26	1444-507-2600-0	60-24 61-24
1444-501-0030-0	57-27	1444-507-2700-0	60-25 61-25
1444-501-0040-0	57-28	1444-510-0010-0	62- 1 63- 1 64-
1444-502-0010-0	57- 1	1444-510-0020-0	62- 5 63- 5 64- 5
1444-502-0020-0	57- 5	1444-510-0030-0	62-13 63-13 64-1
1444-502-0030-0	57- 8	1444-510-0040-0	62-14 63-14 64-12
1444-502-2000-0	57- 3	1444-510-0050-0	62-21 63-21 64-2
1444-502-2010-0	57- 4	1444-510-0060-0	62-22 63-22 64-2
1444-502-2100-0	57-11	1444-510-0070-0	62-25 63-25 64-3
1444-502-2200-0	57-14	1444-510-0080-0	62-26 62-34 63-2 63-34 64-31 64-4
1444-503-0010-0	56- 9	1444-510-0090-0	62-33 63-33 64-39
1444-503-0020-0	56-12	1444-510-2000-0	62- 6
1444-503-0030-0	57-38	1444-510-2100-0	62-17
1444-503-0040-0	57-39	1444-510-2200-0	62-27 63-27 64-3
1444-503-0050-0	56-13	1444-510-2250-0	62-28 63-28 64-33
1444-503-0060-0	57-18	1444-510-2260-0	62-30 63-30 64-3
1444-503-2000-0	57-31	1444-510-2400-0	62-35 63-35 64-41
1444-503-2100-0	57-33	1444-514-0010-0	65- 3
1444-503-2200-0	57-15	1444-514-0020-0	65- 8
1444-503-2300-0	57-25	1444-514-0030-0	65-39
1444-505-0010-0	58- 1 59- 1	1444-514-0040-0	65-47
1444-505-0020-0	58-11 59-11	1444-514-0050-0	65-48
1444-505-0030-0	58-19 59-19	1444-514-0060-0	65-49
1444-505-2000-0	58- 2 59- 2	1444-514-2000-0	65- 1
1444-505-2100-0	58- 5 59- 5	1444-514-2100-0	65- 2
1444-505-2200-0	58- 9 59- 9	1444-514-2300-0	65-17
1444-505-2300-0	58-16 59-16	1444-514-2400-0	65-21
1444-506-2000-0	58-20 59-20	1444-514-2700-0	

部品コード	見出番号	部品コード	見出番号
1444-328-0040-0	51-26 52-26	1444-407-2400-0	6-23 7-23 8-44
1444-328-2000-0	51- 1 52- 1	1444-408-0010-0	8-10
1444-328-2300-0	51- 9 52- 9	1444-408-0020-0	8-17
1444-328-2400-0	51-12	1444-408-0030-0	8-21
1444-328-2500-0	51-25 52-25	1444-408-0040-0	8-22 62- 2 63-22 64-2
1444-331-2200-1	54- 1	1444-408-0050-0	8-29
1444-401-2000-0	6- 1 7- 1	1444-408-0060-0	8-34
1444-402-0010-0	6-26	1444-408-0070-0	8-42
1444-402-0020-0	6-27	1444-408-0080-0	8-43
1444-402-0030-0	9- 7	1444-408-2000-0	8- 1
1444-402-0040-0	9- 8	1444-408-2010-0	8- 2
1444-404-0010-0	9-22	1444-408-2200-0	8- 6
1444-404-0020-0	9-23	1444-408-2210-0	8- 7
1444-404-0030-0	9-24	1444-408-2400-0	8-25
1444-404-0040-0	9-29	1444-408-2600-0	8-30
1444-404-0050-0	9-30	1444-408-2700-0	8-35
1444-404-2000-0	9-12	1444-408-2800-0	8-38
1444-404-2100-0	9-35 10-34 11-44 15-32 16-32	1444-410-0010-0	14- 1
1444-406-0010-0	23-12	1444-410-0020-0	14- 8
1444-406-0020-0	23-13	1444-410-2000-0	14- 4
1444-406-0030-0	23-21	1444-410-2100-0	14- 5
1444-406-0040-0	23-22	1444-411-0010-0	14-16
1444-406-0050-0	23-23	1444-411-0020-0	14-17
1444-406-0060-0	23-26	1444-411-0030-0	14-25
1444-406-0070-0	23-27	1444-411-0040-0	14-26
1444-406-0090-0	23-32	1444-411-0050-0	14-27
1444-406-0110-0	23-33	1444-411-0060-0	14-31
1444-406-2000-0	23- 7	1444-411-2000-0	14-13
1444-406-2200-0	23- 8	1444-412-0010-0	12- 3 13- 3 56- 2
1444-406-2400-0	23-16	1444-412-0020-0	12- 4 13- 4
1444-406-2500-0	23-17	1444-412-0040-0	6-34 7-34
1444-407-0010-0	6-15 7-15	1444-412-0060-0	6-36 7-36
1444-407-0020-0	6-19 7-19 8-5	1444-412-2000-0	12- 1
1444-407-2000-0	6- 4 7- 4	1444-413-0010-0	12- 7 13- 7
1444-407-2010-0	6- 5 7- 5	1444-413-0020-0	12- 8 13- 8
1444-407-2200-0	6- 8 7- 8	1444-413-0030-0	12-10
1444-407-2210-0	6- 9 7- 9	1444-413-0040-0	12-14 13-14
1444-407-2220-0	6-10 7-10	1444-413-0050-0	12-16 13-16

部品コード	見出番号	部品コード	見出番号
1444-307-2800-0	43-31	1444-318-0040-0	47- 6
1444-307-2900-0	43-32	1444-318-0050-0	47- 7
1444-309-0010-0	31- 1 32- 1 33- 1	1444-318-0060-0	47- 8
1444-309-0020-0	31- 3	1444-318-0070-0	47-10
1444-311-0010-0	31- 5 33- 5	1444-318-0080-0	47-11
1444-311-0020-0	31- 6	1444-318-0090-0	47-12
1444-312-0010-0	31-11 32-11 33-11	1444-318-0110-0	47-13
1444-312-2000-0	31-16 32-16 33-16	1444-318-0120-0	47-14
1444-312-2100-0	31-18 32-18 33-18	1444-319-0010-0	47-21
1444-312-2200-0	31-21 32-21 33-21	1444-319-0020-0	47-22
1444-312-2300-0	38-21 39-22	1444-319-0030-0	47-26
1444-314-0010-0	44- 1	1444-319-2000-0	47-23
1444-314-0020-0	44- 2	1444-319-2100-0	47-25
1444-314-0030-0	44- 3	1444-321-0010-0	48- 1 49- 1
1444-314-0040-0	44- 6	1444-321-0020-0	48- 2 49- 2
1444-314-0050-0	44- 8	1444-323-0010-0	47-18
1444-314-0060-0	44-11	1444-323-0020-0	47-19
1444-314-0070-0	44-12	1444-323-0030-0	47-20
1444-314-0080-0	44-14	1444-324-0010-0	48- 9
1444-314-0090-0	44-16	1444-324-0020-0	48-10 49-10
1444-315-0010-0	45- 1 46- 1	1444-324-0030-0	48-11 49-11
1444-315-0020-0	45- 2 46- 2	1444-324-0040-0	48-12 49-12
1444-315-0030-0	45- 6 46- 6	1444-324-0050-0	48-18 49-18
1444-315-0040-0	45- 8 46- 8	1444-324-0060-0	48-19 49-19
1444-315-0050-0	45-11 46-11	1444-327-0010-0	50- 8
1444-315-0060-0	45-12 46-12	1444-327-0020-0	50- 9
1444-315-0070-0	45-24 46-24	1444-327-0030-0	50-13
1444-315-0080-0	45-26 46-26	1444-327-0040-0	50-15
1444-315-2000-0	45-14 46-14	1444-327-0050-0	50-16
1444-315-2100-0	45-17 46-17	1444-327-2000-0	50- 1
1444-315-2200-0	45-19 46-19	1444-327-2010-0	50- 4
1444-315-2300-0	45-23 46-23	1444-327-2020-0	50- 5
1444-317-2000-0	38-14 39-15	1444-327-2030-0	50- 6
1444-317-2100-0	38-15 39-16	1444-327-2100-0	50- 2
1444-317-2200-0	38-18 39-19	1444-327-2200-0	50-12
1444-318-0010-0	47- 1	1444-328-0010-0	51- 5 52- 5
1444-318-0020-0	47- 2	1444-328-0020-0	51-13 52-13
1444-318-0030-0	47- 3	1444-328-0030-0	51-20 52-20

部品コード	見出番号	部品コード	見出番号
1444-201-0010-0	24- 1 25- 1	1444-301-0030-0	38-10 39-11
1444-201-0020-0	24-10 25-10	1444-301-0040-0	38-11 39-12
1444-201-0030-0	24-13 25-13	1444-304-0010-0	40- 1
1444-201-0040-0	24-14 25-14	1444-304-0020-0	40- 5 41- 5 42- 5
1444-201-0050-0	24-15 25-15	1444-304-0030-0	40- 6 41- 6 42- 6
1444-207-0010-0	26- 1 27- 1 28- 1 29- 1	1444-304-0040-0	40- 8 41- 8 42- 8
1444-207-0020-0	26- 7 27- 7 28- 7 29- 7	1444-304-0050-0	40-11 41-11 42-11
1444-208-0010-0	26-10 27-10	1444-304-0060-0	40-12 41-12 42-12
1444-208-0020-0	26-13 27-13	1444-304-0070-0	40-13 41-13 42-13
1444-208-0030-0	26-14 27-14	1444-304-0080-0	40- 7 41- 7 42- 7
1444-209-0010-0	28-11 29-11	1444-306-0010-0	40-17 41-17 42-17
1444-209-0020-0	28-14 29-14	1444-306-0020-0	40-19 41-19 42-19
1444-209-0030-0	28-15 29-15	1444-306-0030-0	40-22
1444-209-0040-0	28-16 29-16	1444-306-0040-0	40-23 41-23 42-23
1444-209-0050-0	28-17 29-17	1444-306-0050-0	40-24 41-24 42-24
1444-209-0060-0	28-18 29-18	1444-306-0060-0	40-27 41-27 42-27
1444-209-2000-0	28-19 29-19	1444-306-0070-0	40-28 41-28 42-28
1444-211-0010-0	26-15 27-15	1444-306-0080-0	40-29 41-29 42-29
1444-211-0020-0	26-18 27-18 28-22 29-22	1444-306-0090-0	40-32 41-32 42-32
1444-212-0010-0	28-25 29-25	1444-306-0110-0	40-33 41-33 42-33
1444-213-0010-0	26-21 27-21 28-26 29-26	1444-306-0120-0	40-34 41-34
1444-213-0020-0	26-22 27-22 28-27 29-27	1444-306-2000-0	40-14 41-14 42-14
1444-215-0010-0	26-26 27-26 28-31 29-31	1444-307-0010-0	43- 1
1444-215-0020-0	26-27 28-32	1444-307-0020-0	43- 5
1444-215-0030-0	26-30 27-30 28-35 29-35	1444-307-0030-0	43- 6
1444-218-0010-0	30- 1	1444-307-0040-0	43- 7
1444-218-0020-0	30- 6	1444-307-0050-0	43-22
1444-218-0030-0	30- 7	1444-307-0060-0	43-35
1444-218-0040-0	30-12	1444-307-0070-0	43-39
1444-218-0050-0	30-16	1444-307-0080-0	43-40
1444-218-0060-0	30-17	1444-307-2000-0	43-13
1444-218-0070-0	30-18	1444-307-2100-0	43-14
1444-218-0080-0	30-24	1444-307-2200-0	43-15
1444-219-0010-0	30-12-1	1444-307-2300-0	43-19
1444-219-0020-0	30-16-1	1444-307-2400-0	43-20
1444-219-0030-0	30-18-1	1444-307-2500-0	43-21
1444-301-0010-0	38- 1 39- 1	1444-307-2600-0	43-27
1444-301-0020-0	38- 6 39- 7	1444-307-2700-0	43-30

部品コード	見出番号	部品コード	見出番号
1432-242-0040-0	38-22 39-23 58-24 59-24	1444-101-3800-0	2- 5
1432-313-2000-0	51-19 52-19	1444-101-3900-0	2- 6
1432-403-2260-0	51- 7 52- 7 65-28	1444-101-4000-0	2- 7
1432-406-2120-0	9-40 15-37 16-37 34-19	1444-101-4100-0	3- 1
1432-602-0070-0	5-17 5-21	1444-101-4200-0	3- 4
1432-616-0020-0	73- 6 74- 6	1444-101-4300-0	3- 8
1434-503-0020-0	58- 6 59- 6	1444-101-4400-0	3- 9
1444-040-2100-0	23-11	1444-101-4500-0	3-13
1444-041-2000-0	6-26-1 7-26-1	1444-102-0010-0	36-17
1444-041-2100-0	6-27-1 7-27-1	1444-102-0030-0	36-19
1444-041-2200-0	15- 1 16- 1	1444-102-0040-0	36-20
1444-041-2300-0	15- 5 16- 5	1444-102-2000-0	36- 0-1
1444-041-2400-0	15- 6 16- 6	1444-102-2040-0	36- 8
1444-050-2000-0	56- 1	1444-102-2100-0	36-21
1444-050-2100-0	58-34 59-34	1444-111-0010-0	5-20
1444-101-0010-0	1- 8	1444-111-2000-0	36-24
1444-101-0020-0	1- 9	1444-111-2200-0	36-28
1444-101-0030-0	5- 6	1444-111-2300-0	36-29
1444-101-0040-0	5-10	1444-111-2400-0	36-32
1444-101-0050-0	5-11	1444-111-2500-0	3-16
1444-101-0060-0	2- 8	1444-116-0010-0	37- 4
1444-101-0070-0	3- 2	1444-116-0020-0	37- 6
1444-101-0080-0	3- 5	1444-116-0030-0	37-12
1444-101-0090-0	3-14	1444-116-0040-0	37-13
144-101-0110-0	3-15	1444-116-0050-0	37-17
1444-101-0120-0	1-12	1444-116-0060-0	37-21
1444-101-0130-0	5-15	1444-116-0070-0	37-22
1444-101-0140-0	5-16	1444-116-0080-0	37-23
1444-101-0150-0	5-19	1444-116-0090-0	37-25
1444-101-3000-0	3-20	1444-116-2000-0	37- 1
1444-101-3100-0	1- 1	1444-116-2100-0	37- 7
1444-101-3120-0	1- 2	1444-116-2200-0	37-20
1444-101-3200-0	5- 1	1444-122-0020-0	34-13
1444-101-3300-0	5- 2	1444-122-0030-0	51-16 52-16 73-13 74-13
1444-101-3400-0	5- 5	1444-122-2000-0	34- 1
1444-101-3500-0	2-11	1444-122-2200-0	34- 6
1444-101-3600-0	2- 1	1444-122-2300-0	34-11
1444-101-3700-0	2- 2	1444-122-2400-0	34-12

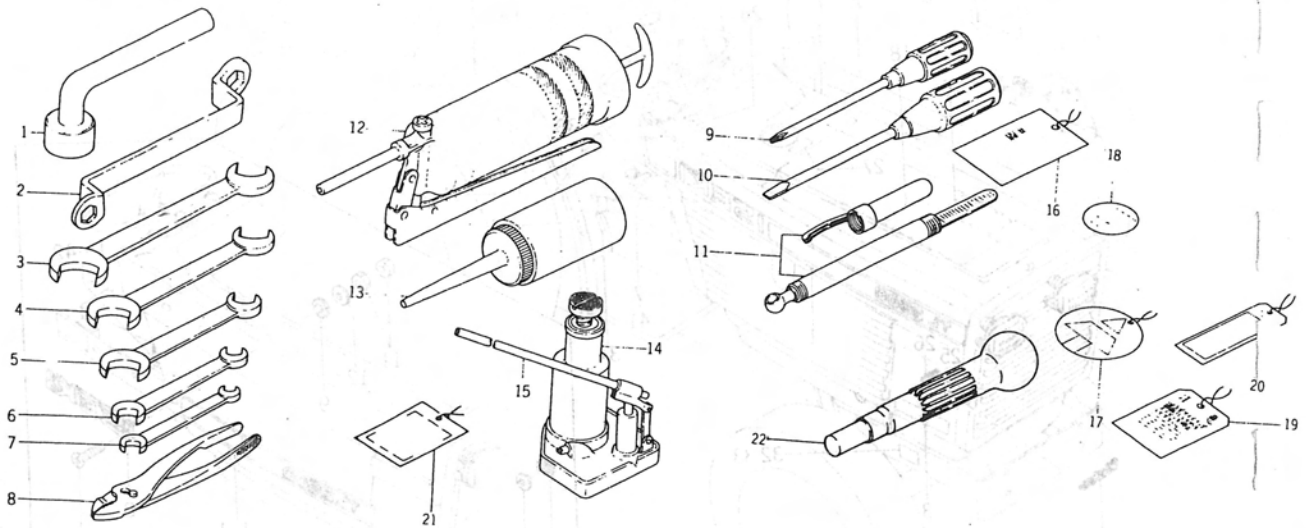
部品コード	見出番号	部品コード	見出番号
1421-111-2100-0	36-27	1421-621-2100-0	4-50
1421-116-0020-0	37-14	1421-903-0060-0	80-31 81-31 82-31
1421-131-2110-0	2- 3	1421-903-0100-0	80-27 81-27 82-27
1421-134-0190-0	14- 3 26-11 27-11 28-10 29-10	1421-903-0110-0	80-28 81-28 82-28
1421-201-0030-0	15-15 16-15	1421-903-0130-0	80-29 81-29 82-29
1421-301-0120-0	47- 9	1421-903-0140-0	80-30 81-30 82-30
1421-312-0020-0	52- 4 51- 4	1421-903-0240-0	83-21
1421-400-0520-0	23- 1	1421-906-0010-0	83- 1
1421-400-0540-0	9-33 10-32 11-43 15-30 16-30	1421-906-0020-0	83-12
1421-400-0550-0	9-34 10-33 15-31 16-31	1422-687-0010-0	75- 8
1421-403-0010-0	9-31 10-30 11-52 15-28 16-28	1422-900-0510-0	83- 0-1
1421-403-0020-0	9-32 10-31 11-53 15-29 16-29	1422-906-0010-0	83-14
1421-403-0030-0	9-37 10-36 11-48 15-34 16-34	1422-906-0020-0	83-15
1421-403-0070-0	9-26	1423-400-0520-0	11-45
1421-403-0080-0	9-27	1423-511-2000-0	65-45
1421-433-0040-0	6-12 7-12 8-14	1423-621-0040-0	76-17 77-17
1421-433-0160-0	15- 7 16- 7	1423-621-0210-0	75- 3
1421-433-0220-0	15-17 16-17	1424-101-0040-0	1-11
1421-433-0230-0	15-18 16-18	1424-101-2030-0	1- 4
1421-433-0310-0	10-21 11-29	1424-101-2040-0	1- 5
1421-436-0020-0	6-33 7-33	1425-621-0040-0	78-14
1421-438-2100-1	20- 1 21- 1	1426-402-0010-0	11-15
1421-438-2010-0	20- 2	1426-621-0350-0	76- 8 77- 8
1421-502-0020-0	65-50	1426-621-0360-0	76- 9 77- 9
1421-507-0070-0	58-13 59-13	1426-621-0380-0	78-13
1421-507-0130-0	58-25 59-25	1427-207-0050-0	30- 8
1421-507-0140-0	58-26 59-26	1427-301-0050-0	14-33
1421-507-0150-0	58-27 59-27	1427-301-0080-0	14-36
1421-507-0180-0	57-16	1427-317-0040-0	24- 7 25- 7
1421-511-4000-0	65-44	1427-432-0020-0	14-30
1421-600-0520-0	75- 1	1427-432-0030-0	14-32
1421-602-0070-0	4-18	1427-432-0040-0	14-34
1421-606-0020-0	67-10 68-10	1427-432-0050-0	14-35
1421-611-0020-0	71- 3 72- 3	1429-411-2100-1	18- 6
1421-621-0070-0	78- 7	1430-203-0060-0	40-31 41-31 42-31
1421-621-0081-0	78- 8	1431-931-0040-0	80- 8 81- 8 82- 8
		1431-931-0050-0	80- 9 81- 9 82- 9
		1432-120-0040-0	35- 9

索 引

部 品 コ ー ド	見 出 番 号	部 品 コ ー ド	見 出 番 号
1302-225-0030-0	31-12 45- 3 43- 8 32-12 30-19 33-12 46-3	1412-411-0010-0	17- 1
1305-931-0030-0	65-42	1414-117-0040-0	37-27
1325-930-1050-0	9-19	1414-120-0060-0	44-15
1326-706-0020-0	25- 8 24- 8	1414-207-0050-0	30-10
1326-708-0050-0	9-25 10-24 11-32	1414-312-0020-0	73-16 74-16
1365-707-0030-0	27-23 28-28 26-23 29-28	1414-403-0040-0	9-16
1376-402-0030-0	78-12	1415-101-0400-0	3- 3
1401-122-0050-0	34-15 51-18 52-18	1415-102-0090-0	36- 7
1401-304-0110-0	43-24	1415-102-0110-0	36-10
1401-906-0050-0	83- 2	1415-102-0120-0	36-11
1402-501-0170-0	30-13	1415-102-0130-0	36-12
1402-511-6000-0	65-46	1415-122-0020-0	34-20
1402-621-0140-0	75- 4	1415-216-0060-0	43-17 43-28 78-36 46-15 57-12 45-15
1403-207-0010-0	30- 9	1415-401-0030-0	10-40 11-10
1403-209-0060-0	57- 9	1415-401-0040-0	10- 7 11- 6
1403-312-0030-0	34-21 51-11 52-11	1415-403-0020-0	10-14 11-22
1403-401-0270-0	11-40	1415-403-0050-0	11-39
1404-101-0010-0	34- 4	1415-403-0060-0	10-15 11-23
1404-301-0100-0	47- 4	1415-411-0010-0	18- 1 19- 1
1440-317-0050-2	55- 2	1415-505-0060-0	56-11
1404-401-0170-0	10-25 11-18 11-33	1415-505-0140-0	8-36
1404-402-0010-0	10-35 9-36 11-47 15-33 16-33	1415-903-0050-0	83-16
1404-402-0050-0	16-36 11-50 15-36 9-39 10-38	1415-903-0060-0	83-17
1404-411-1000-0	17- 6 19- 6	1415-903-0072-0	83-18
1404-502-0130-0	57- 6	1415-903-0080-0	83-20
1404-503-0090-0	64- 3 63- 3 62- 3 8-23	1416-116-0040-0	37- 8
1405-401-0060-0	10-26 11-34	1416-511-4000-0	65-11
1407-111-0010-0	36-25	1416-505-0030-0	57-20
1407-201-0110-0	30-21 43-10	1416-621-0440-0	78-32
1407-402-0010-0	10- 2 11- 2 11-13	1416-903-0090-0	83-19
1407-403-0020-0	9-17	1417-102-0050-0	1-13 50-17
1407-406-0020-0	23- 2	1417-621-0020-0	75- 2
1407-406-0040-0	23- 3	1419-101-0100-0	2- 4
1411-401-0010-0	9- 2	1419-403-0010-0	9-13
1411-411-0020-0	19- 2 17- 2 18- 2	1421-101-0010-0	23-28
1411-411-0030-0	18- 5 17- 5 19- 5	1421-101-0120-0	1-10
1412-401-0040-0	9- 3	1421-101-3130-0	1- 3
		1421-102-0011-0	36-18

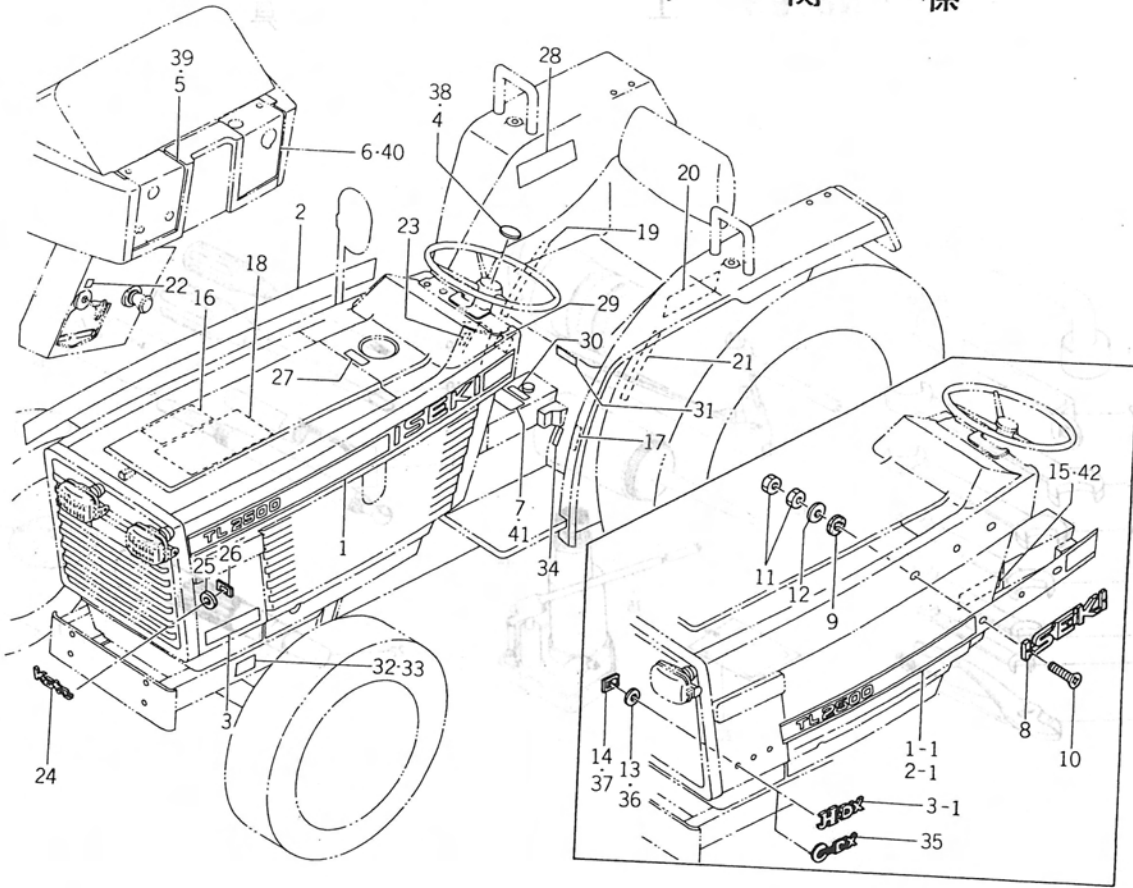






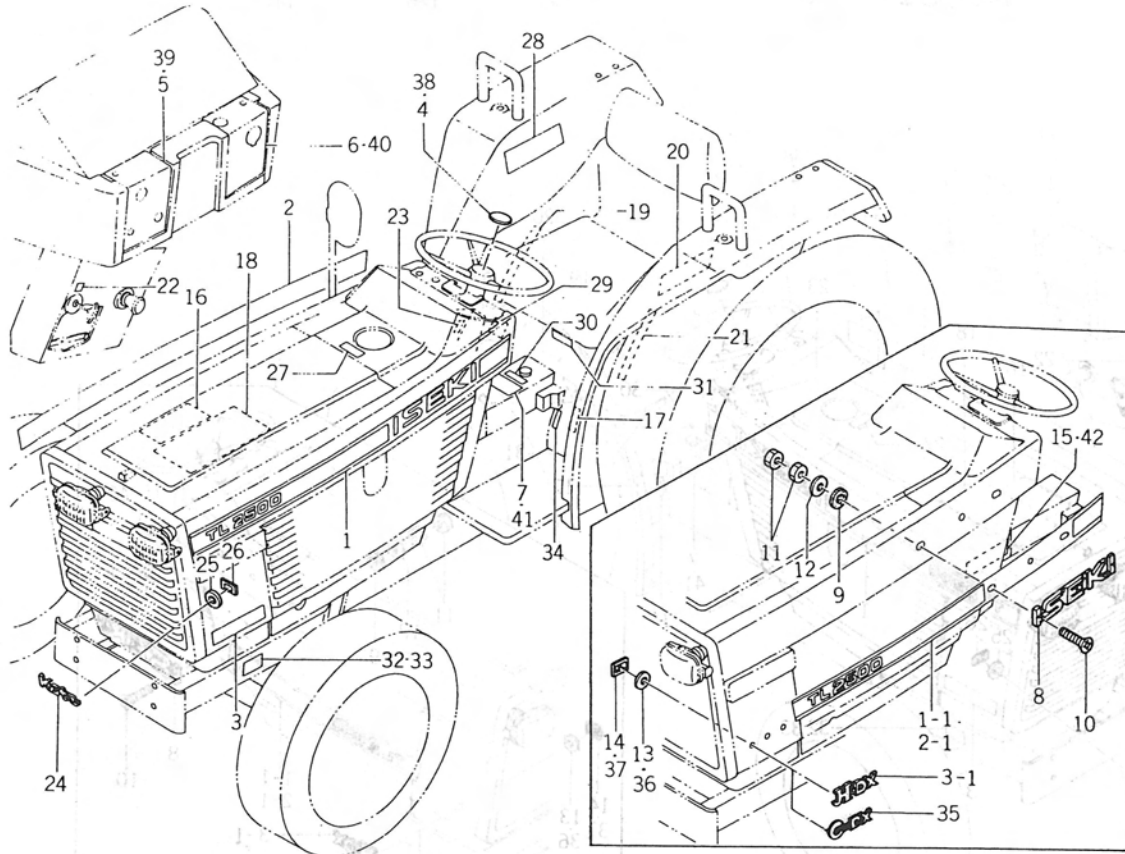
見出番号	部品コード	品名	個数		規格	備考
			C	F		
83-1	1421-906-0010-0	ボックス スパナ (22)	1	1		
83-2	1401-906-0050-0	メガネ レンチ	1	1		
83-3	V92055-240270	スパナ	1	1	17×19	
83-4	V92055-190220	スパナ	1	1	24×27	
83-5	V92055-130170	スパナ	1	1	19×22	
83-6	V92055-120140	スパナ	1	1	13×17	
83-7	V92055-080100	スパナ	1	1	12×14	
83-8	V93625-001500	ブライヤ	1	1	8×10	
83-9	V95414-061000	プラス ドライバ	1	1	150	
83-10	V94114-061000	マイナス ドライバ	1	1	№2	
83-11	V95500-004000	タイヤ ゲージ	1	1	6×100	
83-12	1421-906-0020-0	グリース ポンプ	1	1	4Kg/cm <sup>2</sup>	★
83-13	V96000-00010	アブラサシ	1	1		
83-0-1	1422-900-0510-0	1.8トン ユアツ ジャッキ ASSY	1	1		
83-14	1422-906-0010-0	●1.8トン ユアツ ジャッキ	1	1		
83-15	1422-906-0020-0	●ジャッキ ハンドル	1	1		
83-16	1415-903-0050-0	レイキャクスイ チュウイ フダ	1	1		
83-17	1415-903-0060-0	フトウエキ チュウイ フダ	1	1		
83-18	1415-903-0072-0	エンジン オイル チュウイ フダ	1	1		
83-19	1416-903-0090-0	インターク シャッタ エブ	1	1		
83-20	1415-903-0080-0	マシジメ チュウイ フダ	1	1		
83-21	1421-903-0240-0	バッテリー ジュウデン フダ	1	1		
83-22	1444-954-0010-0	クラッチ センタ	1	1		
			1			

# No. 82 マ ー ク 関 係



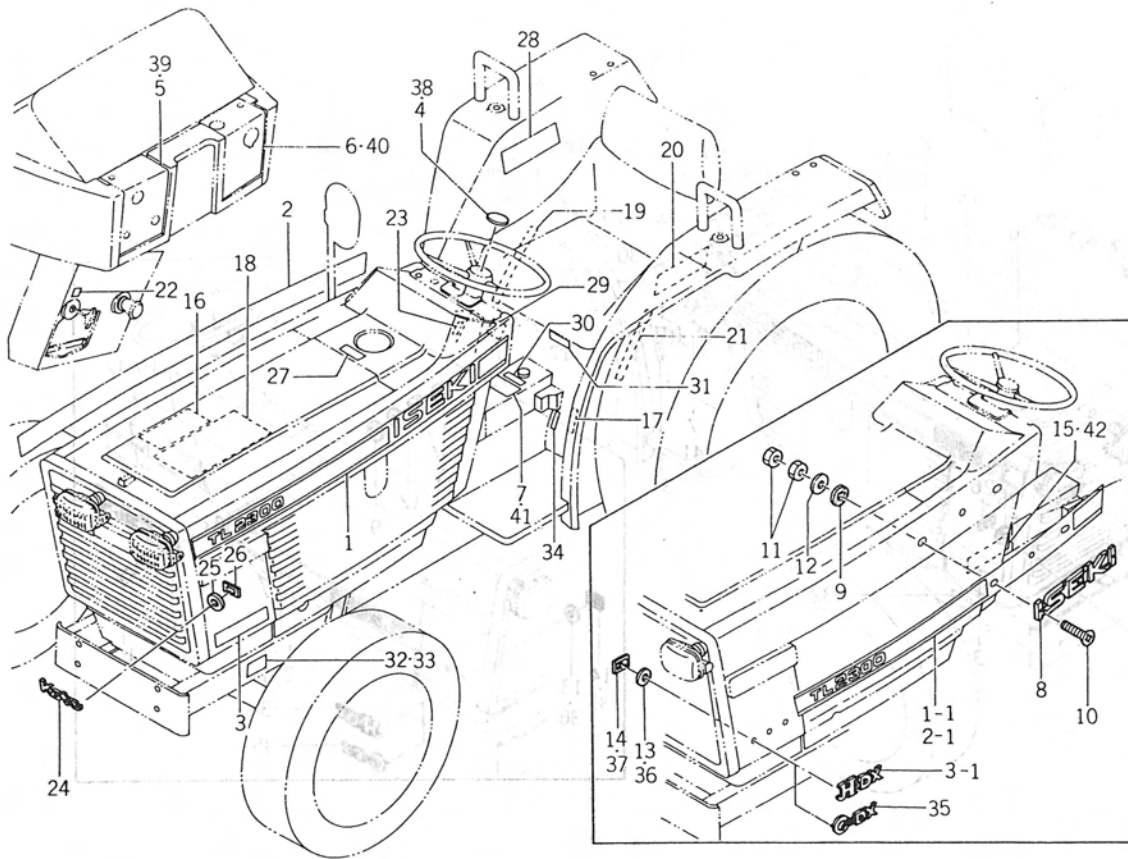
見出番号	部品コード	品名	個数		規格	備考
			C	F		
82-22	1444-904-0070-0	エンジン ストップ マーク	1	1		
82-23	1444-904-0080-0	テモト レバー マーク	1	1		
82-24	1444-904-0090-0	コタ マーク	1	1		
32-25	1444-601-0150-0	ネット ワッシャ(6×14×13)	1	1		
32-26	V35016-000600	スピード ナット(P)	3	3		
82-27	1421-903-0100-0	フューエル マーク	3	3	6	
2-28	1421-903-0110-0	ドライブ コーション マーク	1	1		
2-29	1421-903-0130-0	デフロック マーク	1	1		
82-30	1421-903-0140-0	ドライブ マーク	1	1		
2-31	1421-903-0060-0	ロック マーク(B)	1	1		
2-32	1447-907-0010-0	キシュ マーク	1	1		
82-33	1447-908-0010-0	キシュ マーク(F)	1	1		
2-34	1444-908-0020-0	フロント チェンジ マーク		1		
2-35	1446-903-0010-0	クラス マーク(G)		1		
32-36	1446-601-0150-0	ネット ワッシャ(6×14×3)	2	2		
2-37	V35016-000600	スピード ナット(P)	6	6		
2-38	1446-903-0020-0	キャップ マーク(G)	6	6	6	
2-39	1446-903-0030-0	パネル マーク(G.L)	1	1		G用
2-40	1446-903-0040-0	パネル マーク(G.R)	1	1		
2-41	1446-903-0050-0	モニタ マーク(G)	1	1		
2-42	1446-903-0060-0	M.M.D マーク	1	1		
			1	1		

# No. 82 マ ー ク 関 係



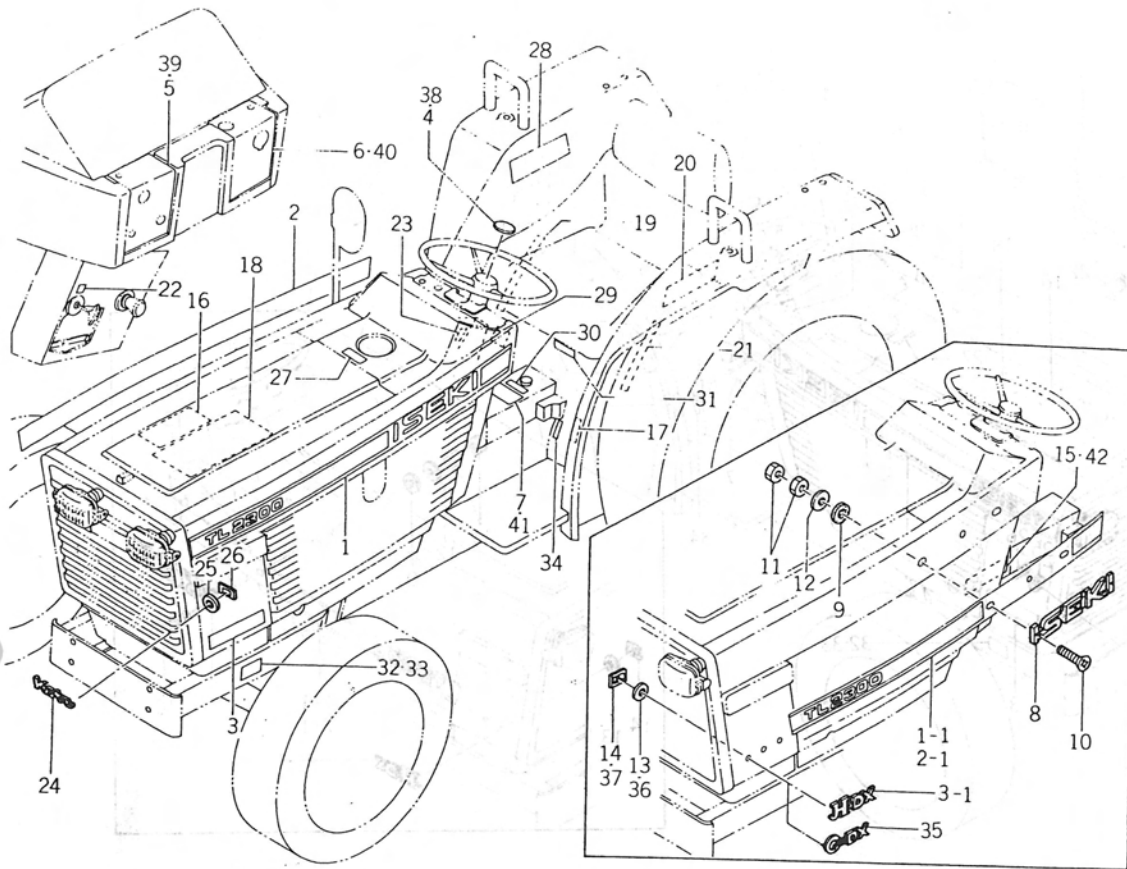
見出番号	部品コード	品名	個数		規格	備考
			C	F		
82-1	1447-901-0010-0	サイド マーク(C.L)	1	1		C.F用
82-1-1	1447-902-0010-0	サイド マーク(H.L)	1	1		H用
82-2	1447-901-0020-0	サイド マーク(C.R)	1	1		C.F用
82-2-1	1447-902-0020-0	サイド マーク(H.R)	1	1		H用
82-3	1444-901-0030-0	クラス マーク(C)	2	2		C.F用
82-3-1	1444-902-0030-0	クラス マーク(H)	2	2		H用
82-4	1444-901-0040-0	キャップ マーク(C)	1	1		C.F用
82-4-1	1444-902-0040-0	キャップ マーク(H)	1	1		H用
82-5	1444-901-0050-0	パネル マーク(C.L)	1	1		C.F.H用
82-6	1444-901-0060-0	パネル マーク(C.R)	1	1		
82-7	1444-901-0070-0	モニタ マーク(C)	1	1		H用
82-8	1431-931-0040-0	イセキ マーク	2	2		
82-9	1431-931-0050-0	クッション ゴム	6	6		H用
82-10	V11276-500200	プラス サラ コネジ	6	6	M5×20	
82-11	V 0026-000500	ナット	12	12	M5	H用
82-12	V41126-000500	ミガキ ザガネ	6	6	M5	
82-13	1444-601-0150-0	ネット ワッシャ(6×14×3)	6	6		H用
82-14	V35016-000600	スピード ナット(P)	6	6		
82-15	1444-902-0050-0	M.U マーク	1	1		
82-16	1444-904-0010-0	オイル マーク	1	1		
82-17	1444-904-0020-0	PTO マーク	1	1		
82-18	1444-904-0030-0	ワイヤ リング マーク	1	1		
82-19	1444-904-0040-0	ユアツ コントロール マーク	1	1		
82-20	1444-904-0050-0	ソクド マーク	1	1		
82-21	1444-904-0060-0	サイド セレクト マーク	1	1		

No.81 マ ー ク 関 係



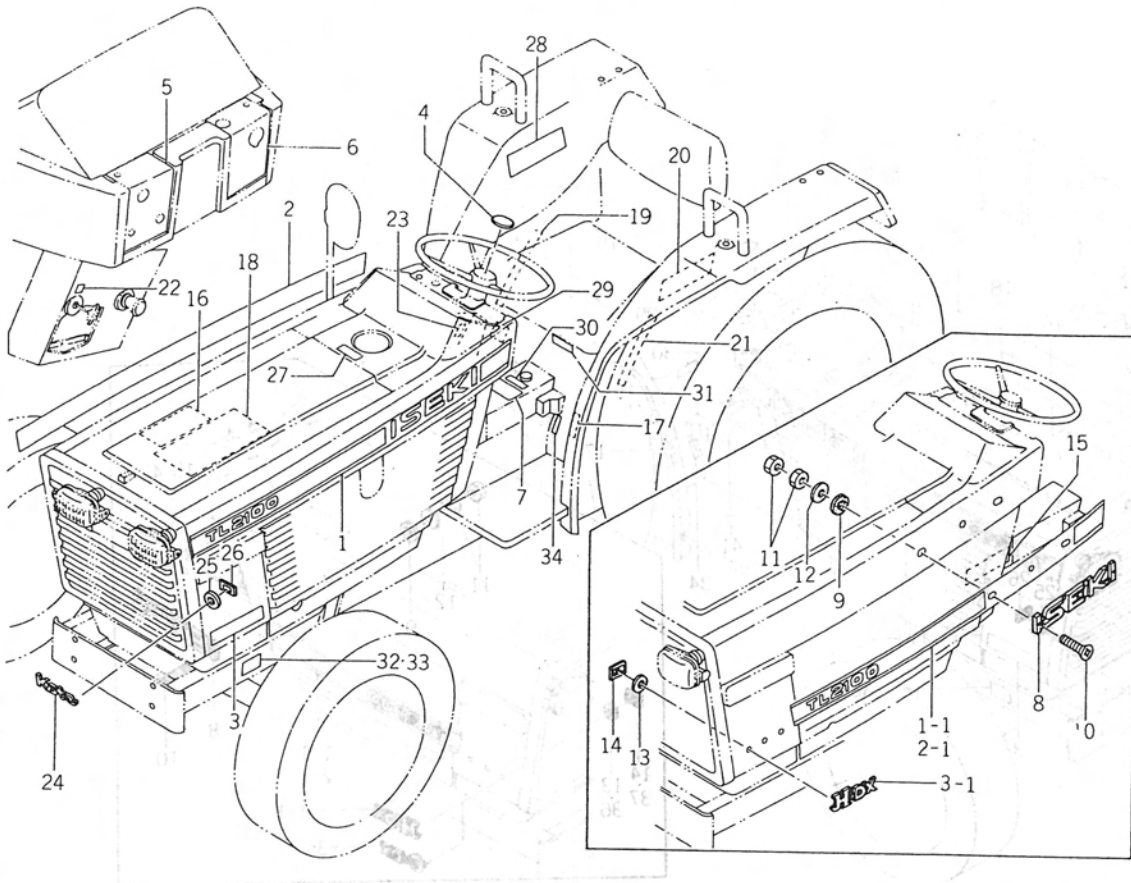
番号	部品コード	品名	個数		規格	備考
			C	F		
-22	1444-904-0070-0	エンジン ストップ マーク	1	1		
1-23	1444-904-0080-0	リモート レバー マーク	1	1		
1-24	1444-904-0090-0	コタ マーク	1	1		
-25	1444-601-0150-0	ネット ワッシャ (6×14×13)	3	3		
-26	V35016-000600	スピード ナット (P)	3	3	6	
1-27	1421-903-0100-0	フューエル マーク	1	1		
-28	1421-903-0110-0	ドライブ コーション マーク	1	1		
-29	1421-903-0130-0	デフロック マーク	1	1		
1-30	1421-903-0140-0	ドライブ マーク	1	1		
-31	1421-903-0060-0	ロック マーク (B)	1	1		
-32	1446-907-0010-0	キッシュ マーク	1	1		
1-33	1446-908-0010-0	キッシュ マーク (F)		1		
1-34	1444-908-0020-0	フロント チェンジ マーク		1		
-35	1446-903-0010-0	クラス マーク (G)	2	2		
1-36	1446-601-0150-0	ネット ワッシャ (6×14×3)	6	6		
1-37	V35016-000600	スピード ナット (P)	6	6	6	
-38	1446-903-0020-0	キャップ マーク (G)	1	1		} G用
-39	1446-903-0030-0	パネル マーク (G.L)	1	1		
1-40	1446-903-0040-0	パネル マーク (G.R)	1	1		
-41	1446-903-0050-0	モニタ マーク (G)	1	1		
-42	1446-903-0060-0	M.M.D マーク	1	1		

# No. 81 マ ー ク 関 係



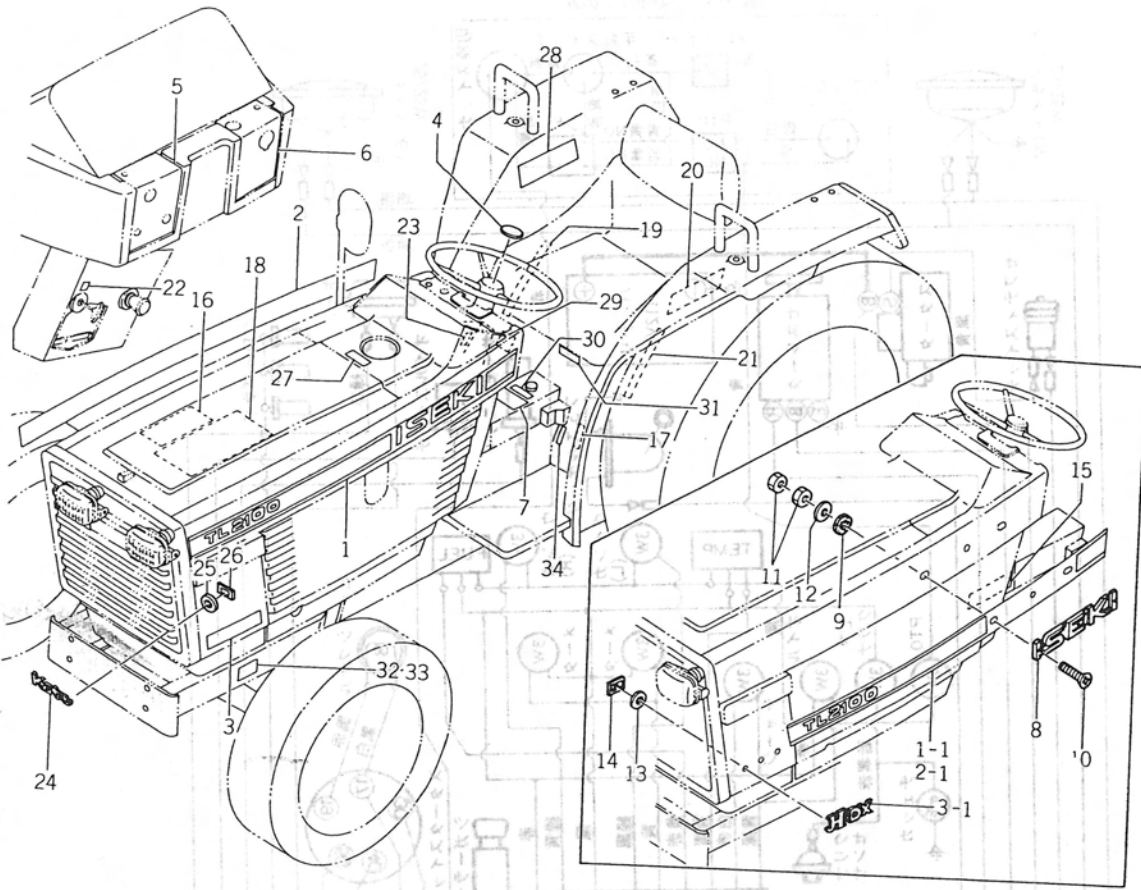
出番号	部品コード	品名	個数		規格	備考
			C	F		
1- 1	1446-901-0010-0	サイド マーク(C.L)	1	1		C.F用
1-1-1	1446-902-0010-0	サイド マーク(H.L)	1	1		G用
1- 2	1446-901-0020-0	サイド マーク(C.R)	1	1		C.F用
1-2-1	1446-902-0020-0	サイド マーク(H.R)	1	1		G用
1- 3	1444-901-0030-0	クラス マーク(C)	2	2		C.F用
1-3-1	1444-902-0030-0	クラス マーク(H)	2	2		H用
1- 4	1444-901-0040-0	キャップ マーク(C)	1	1		C.F用
1-4-1	1444-902-0040-0	キャップ マーク(H)	1	1		H用
1- 5	1444-901-0050-0	パネル マーク(C.L)	1	1		C.F.H用
1- 6	1444-901-0060-0	パネル マーク(C.R)	1	1		
1- 7	1444-901-0070-0	モニタ マーク(C)	1	1		
1- 8	1431-931-0040-0	イセキ マーク	2	2		
1- 9	1431-931-0050-0	クッション ゴム	6	6		
1-10	V11276-500200	プラス サラ コネジ	6	6	M5×20	
1-11	V 0026-000500	ナット	12	12	M5	G用
1-12	V41126-000500	ミガキ ザガネ	6	6	M5	
1-13	1444-601-0150-0	ネット ワッシャ(6×14×3)	6	6		
1-14	V35016-000600	スピード ナット(P)	6	6		
1-15	1444-902-0050-0	M.U マーク	1	1		H用
1-16	1444-904-0010-0	オイル マーク	1	1		
1-17	1444-904-0020-0	PTO マーク	1	1		
1-18	1444-904-0030-0	ワイヤ リング マーク	1	1		
1-19	1444-904-0040-0	ユアツ コントロール マーク	1	1		
1-20	1444-904-0050-0	ソクド マーク	1	1		
1-21	1444-904-0060-0	サイド セレクト マーク	1	1		

No.80 マ ー ク 関 係



品番	部品コード	品名	個数		規格	備考
			C	F		
- 22	1444-904-0070-0	エンジン ストップ マーク	1	1		
- 23	1444-904-0080-0	テモト レバー マーク	1	1		
0- 24	1444-904-0090-0	コタ マーク	1	1		
0- 25	1444-601-0150-0	ネット ワッシャ (6×14×13)	3	3		
- 26	V35016-000600	スピード ナット (P)	3	3	6	
0- 27	1421-903-0100-0	フューエル マーク	1	1		
0- 28	1421-903-0110-0	ドライブ コーション マーク	1	1		
- 29	1421-903-0130-0	デフロック マーク	1	1		
0- 30	1421-903-0140-0	ドライブ マーク	1	1		
0- 31	1421-903-0060-0	ロック マーク (B)	1	1		
- 32	1445-907-0010-0	キシュ マーク	1	1		
- 33	1445-908-0010-0	キシュ マーク (F)		1		
0- 34	1444-908-0020-0	フロント チェンジ マーク		1		

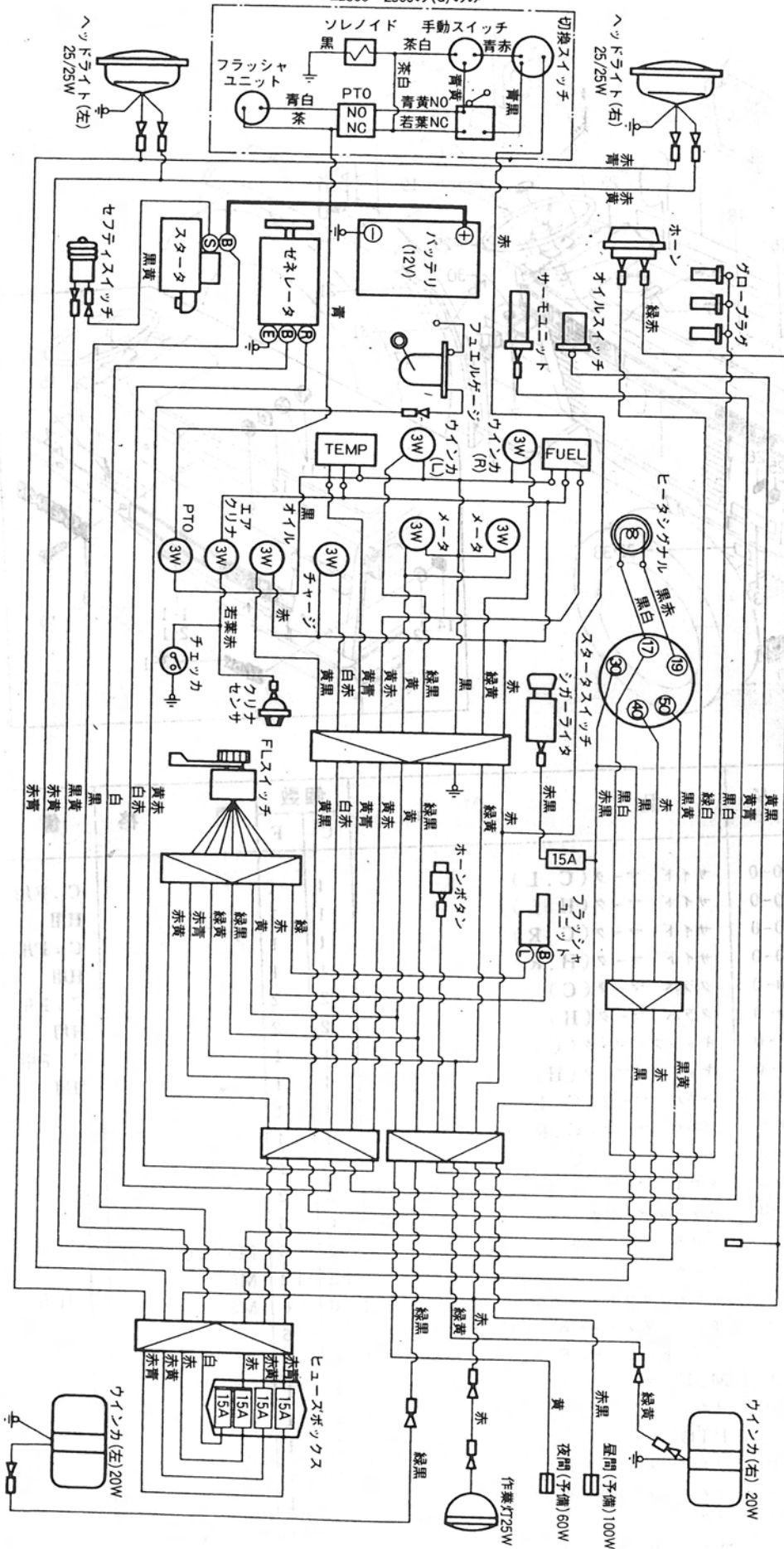
# No.80 マ ー ク 関 係



出番号	部品コード	品名	個数		規格	備考
			C	F		
0-1	1445-901-0010-0	サイド マーク(C.L)	1	1		C.F用
0-1-1	1445-902-0010-0	サイド マーク(H.L)	1	1		H用
0-2	1445-901-0020-0	サイド マーク(C.R)	1	1		C.F用
0-2-1	1445-902-0020-0	サイド マーク(H.R)	1	1		H用
0-3	1444-901-0030-0	クラス マーク(C)	2	2		C.F用
0-3-1	1444-902-0030-0	クラス マーク(H)	2	2		H用
0-4	1444-901-0040-0	キャップ マーク(C)	1	1		C.F用
0-4-1	1444-902-0040-0	キャップ マーク(H)	1	1		H用
0-5	1444-901-0050-0	パネル マーク(C.L)	1	1		C.F用
0-6	1444-901-0060-0	パネル マーク(C.R)	1	1		H用
0-7	1444-901-0070-0	モニタ マーク(C)	1	1		
0-8	1431-931-0040-0	イセキ マーク	2	2		
0-9	1431-931-0050-0	クッション ゴム	6	6		
0-10	V11276-500200	プラス サラ コネジ	6	6		
0-11	V 0026-000500	ナット	6	6	M5×20	
0-12	V41126-000500	ミガキ ザガネ	12	12	M5	H用
0-13	1444-601-0150-0	ネット ワッシャ(6×14×3)	6	6	M5	
0-14	V35016-000600	スピード ナット(P)	6	6		
0-15	1444-902-0050-0	M.U マーク	6	6		
0-16	1444-904-0010-0	オイル マーク	1	1		
0-17	1444-904-0020-0	PTO マーク	1	1		
0-18	1444-904-0030-0	ワイヤ リング マーク	1	1		
0-19	1444-904-0040-0	ユアツ コントロール マーク	1	1		
0-20	1444-904-0050-0	ソクド マーク	1	1		
0-21	1444-904-0060-0	サイド セレクト マーク	1	1		

# No.79 ワイヤリングダイアグラム

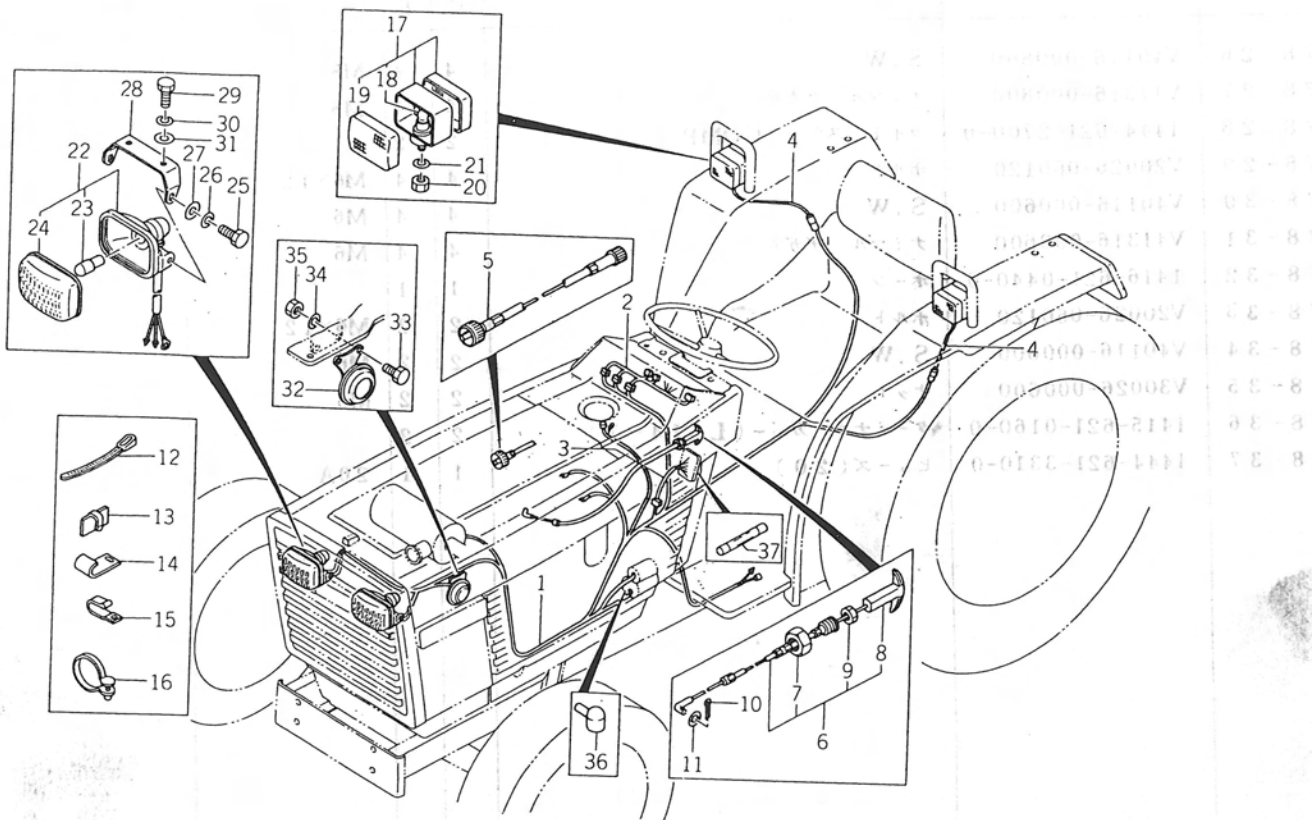
TL2300・2500の(G)のみ





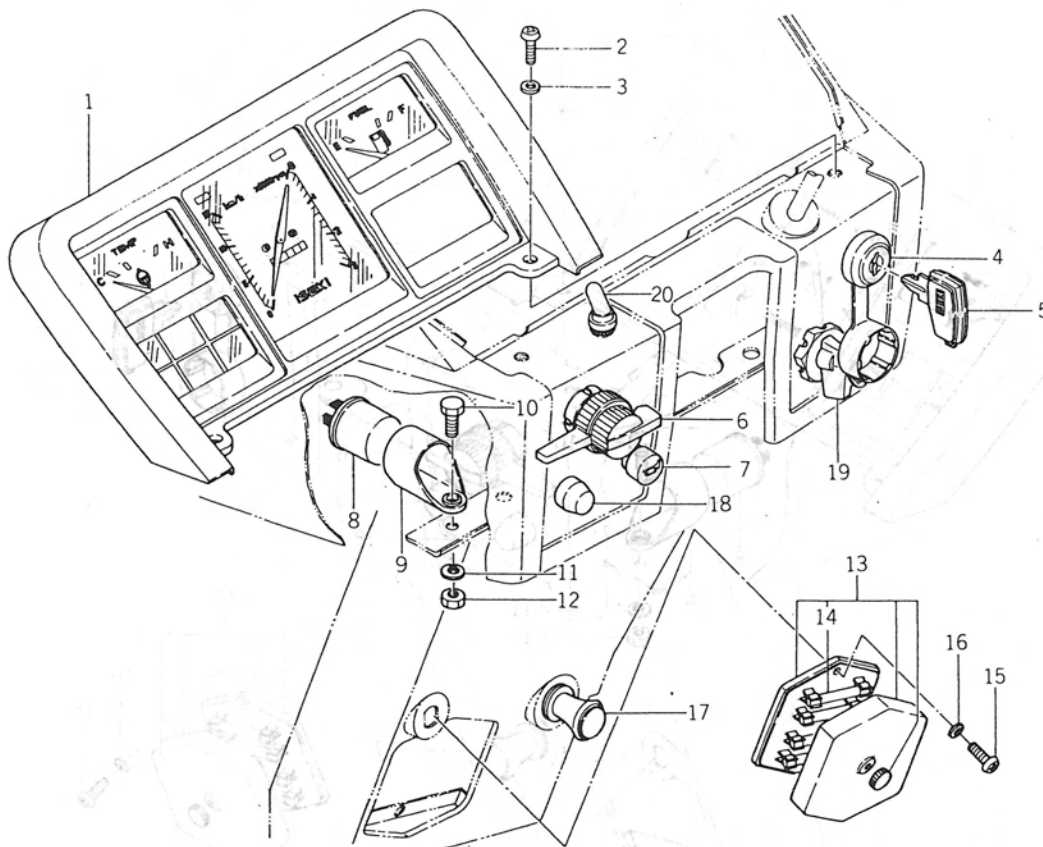
見出番号	部品コード	品名	個数		規格	備考
			C	F		
78-26	V40116-000800	S.W	4	4	M8	
78-27	V41316-000800	ナミマル ザガネ	4	4	M8	
78-28	1444-621-2700-0	ライト ステ- COMP	2	2		
78-29	V20026-060120	ボルト	4	4	M6×12	
78-30	V40116-000600	S.W	4	4	M6	
78-31	V41316-000600	ナミマル ザガネ	4	4	M6	
78-32	1416-621-0440-0	ホーン	1	1		
78-33	V20026-060120	ボルト	2	2	M6×12	
78-34	V40116-000600	S.W	2	2	M6	
78-35	V30026-000600	ナット	2	2	M6	
78-36	1415-621-0160-0	ターミナル カバー (L114-7)	2	2		
78-37	1444-621-3310-0	ヒューズ(20)	1	1	20A	

# No.78 電 装 関 係 (3)



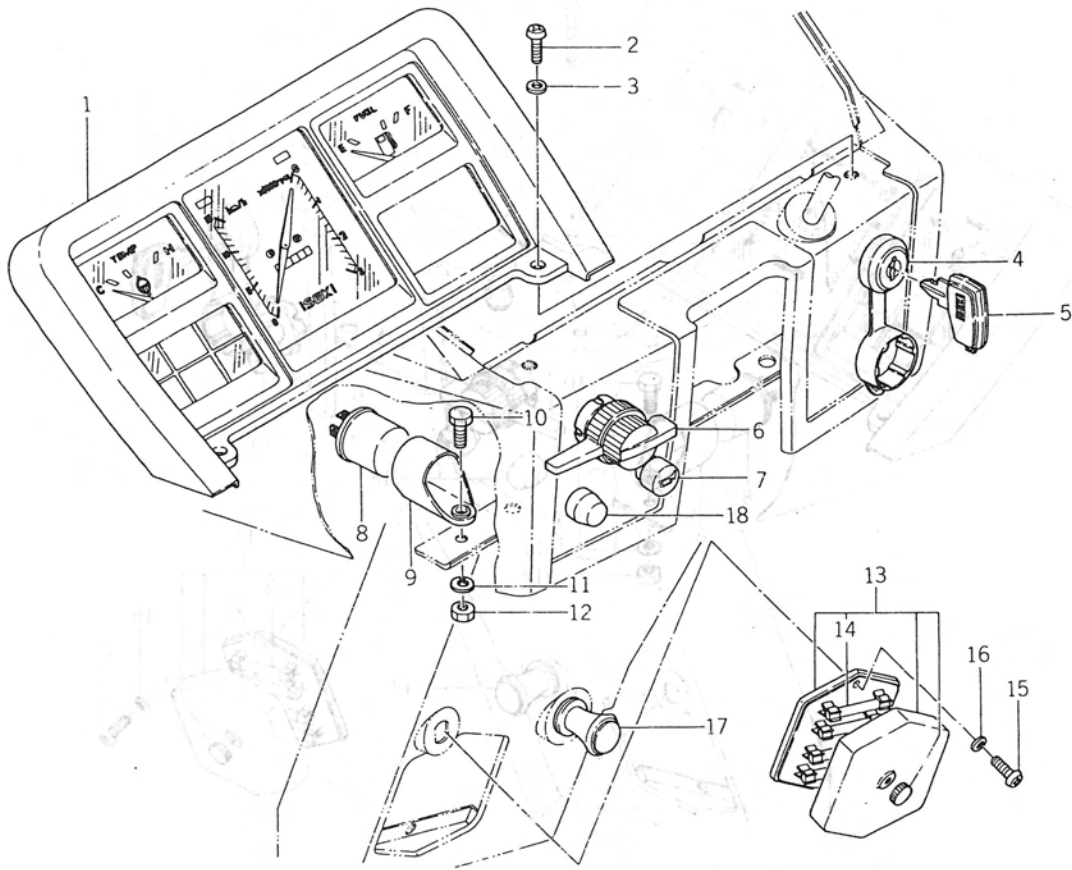
号	部品コード	品名	個数		規格	備考
			C	F		
1	1444-621-0090-0	ワイヤ ハーネス №1	1	1		78-3. 4. 37含む
2	1444-621-3300-0	ワイヤ ハーネス №2 ASSY	1	1		
3	1444-621-0120-0	ワイヤ ハーネス №3	1	1		
4	1444-621-0130-0	ワイヤ ハーネス №4	1	1		
5	1444-621-0030-0	メタル ケーブル	2	2		
6	1444-621-2800-0	ストップ ワイヤ ASSY	1	1		
7	1421-621-0070-0	•ナット(M14)	1	1		
8	1421-621-0081-0	•ノブ	1	1		
9	V30026-000500	•ナット	1	1		
0	V50015-160100	ワリ ピン	1	1	M5	
1	V41316-000500	ナミマル ザガネ	1	1	1.6×10	
2	1376-402-0030-0	ワイヤ バンド(140)	1	1	M5	
3	1426-621-0380-0	ハーネス クランプ(ダイ)	7	7		
4	1425-621-0040-0	ハーネス クランプ	4	4		
5	3737-172-0090-0	メイン ハーネス クランプ(シタ)	5	5		
6	1444-621-0080-0	スピード クランプ	1	1		
7	1444-621-2400-0	ターン シグナル ランプ ASSY	2	2		
8	1444-621-2420-0	•バルブ	2	2		
9	1444-621-2430-0	•レンズ	2	2	12V/20W	
0	V33226-001000	ナット (ホソメ)	4	4		
1	V40116-001000	S.W	2	2	M10 (3種)	
2	1444-621-2500-0	ヘッド ランプ ASSY	2	2	M10	
3	1444-621-2520-0	•バルブ	2	2		
4		•ランプ ユニット	2	2	12V 25/25W	
5	V20126-080120	コガタ ボルト	2	2		
6			4	4	M8×12	

# No.77 電 装 関 係 (2)



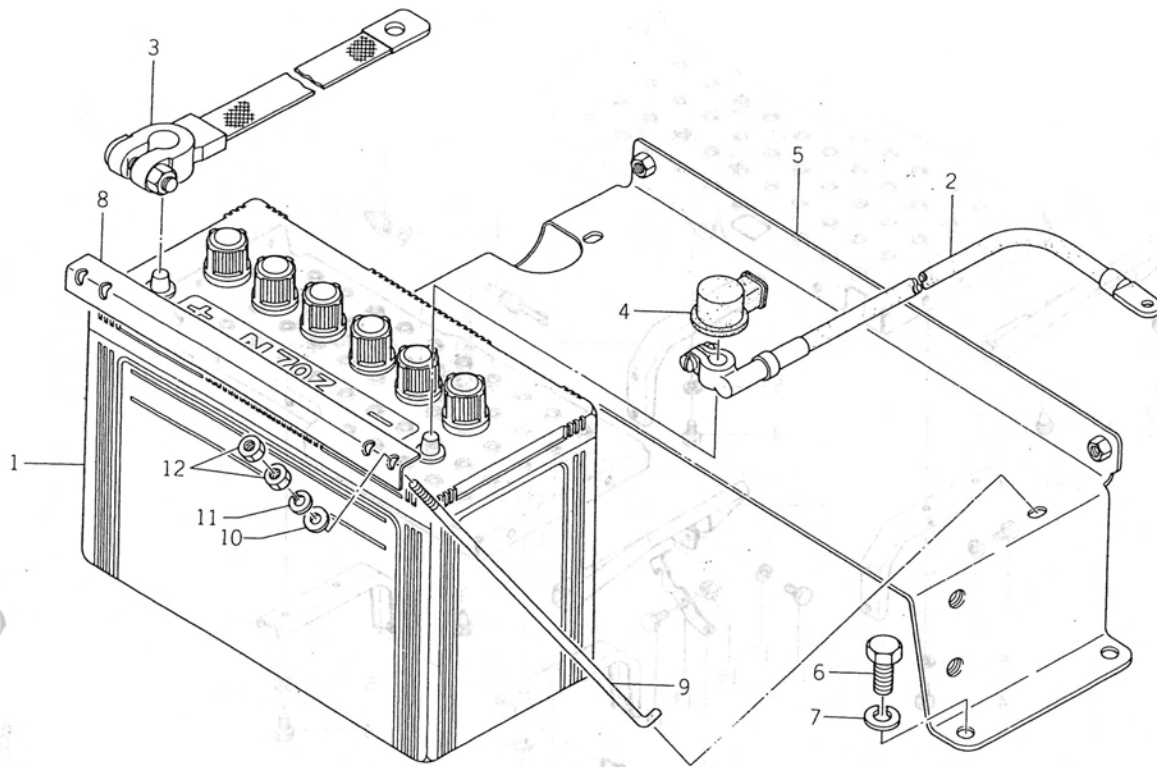
見出番号	部品コード	品名	個数		規格	備考
			C	F		
77-1	1444-621-2100-0	アワメータ ASSY	1	1		
77-2	V11114-600120	プラス ナベ コネジ	4	4	M6×12	
77-3	V41314-000600	ナミマル ザガネ	4	4	M6	
77-4	1444-621-3100-0	スタータ スイッチ SET	1	1		77-5 含む
77-5	1444-621-0050-0	キー	2	2		
77-6	1444-621-0060-0	FL スイッチ	1	1		
77-7	3614-261-2200-0	ホーン スイッチ ASSY	1	1		
77-8	1426-621-0350-0	フラッシャ ユニット	1	1		
77-9	1426-621-0360-0	フラッシャユニット ベース	1	1		
77-10	V20026-060160	ボルト	1	1	M6×16	
77-11	V40116-000600	S.W	1	1	M6	
77-12	V30026-000600	ナット	1	1	M6	
77-13	1444-621-2300-0	ヒューズ ボックス ASSY	1	1		
77-14	1444-621-2320-0	●ヒューズ(15)	8	8	15A	
77-15	V11116-500160	プラス ナベ コネジ	2	2	M5×16	
77-16	V40116-000500	S.W	2	2	M5	
77-17	1423-621-0040-0	シガレット ライター	1	1		
77-18	1444-621-3000-0	チェッカ スイッチ ASSY	1	1		
77-19	1446-622-2000-0	キリカエ スイッチ ASSY	1	1		} G用
77-20	1446-622-2100-0	PTOレバー スイッチ ASSY	1	1		

# No.76 電 装 関 係 (2)



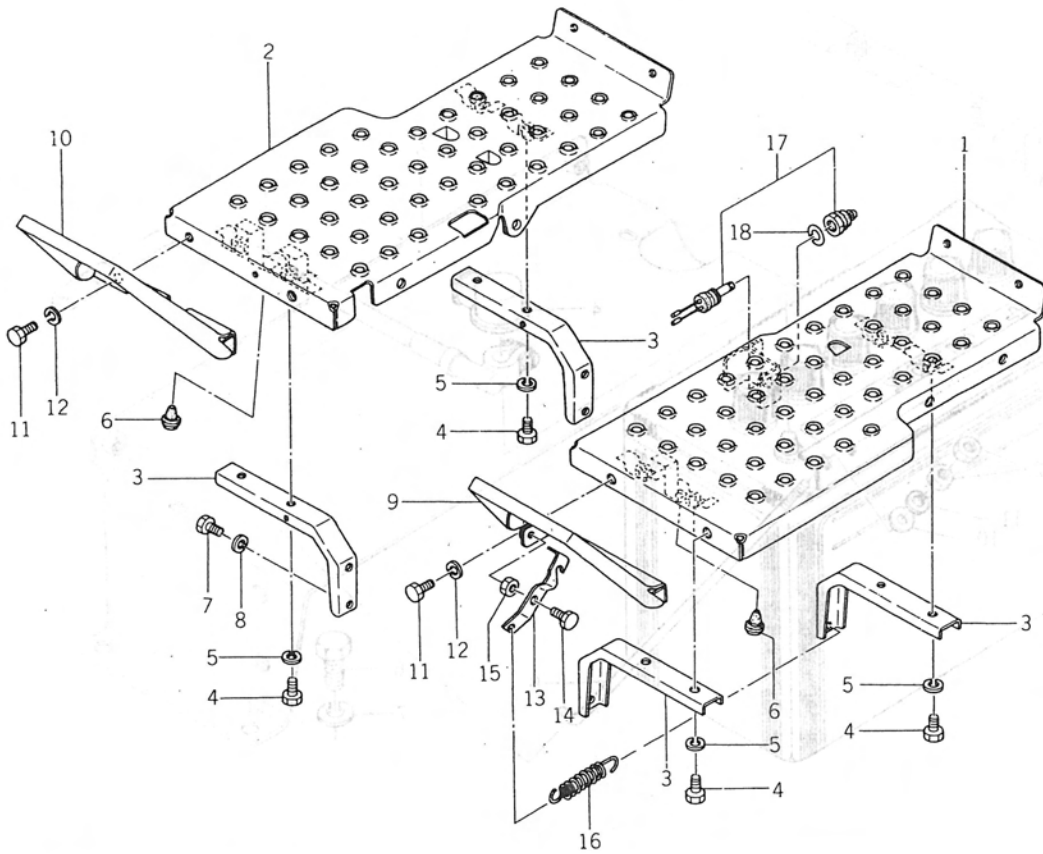
元出番号	部品コード	品名	個数		規格	備考
			C	F		
76-1	1444-621-2100-0	アワメータ ASSY	1	1		
76-2	V11114-600120	プラス ナベ コネジ	4	4	M6×12	
76-3	V41314-000600	ナミマル ザガネ	4	4	M6	
76-4	1444-621-3100-0	スタータ スイッチ SET	1	1		76-5含む
76-5	1444-621-0050-0	キー	2	2		
76-6	1444-621-0060-0	FL スイッチ	1	1		
76-7	3614-261-2200-0	ホーン スイッチ ASSY	1	1		
76-8	1426-621-0350-0	フラッシャ ユニット	1	1		
76-9	1426-621-0360-0	フラッシャ ユニット ベース	1	1		
76-10	V20026-060160	ボルト	1	1	M6×16	
76-11	V40116-000600	S.W	1	1	M6	
76-12	V30026-000600	ナット	1	1	M6	
76-13	1444-621-2300-0	ヒューズ ボックス ASSY	1	1		
76-14	1444-621-2320-0	・ヒューズ(15)	8	8	15A	
76-15	V11116-500160	プラス ナベ コネジ	2	2	M5×16	
76-16	V40116-000500	S.W	2	2	M5	
76-17	1423-621-0040-0	シガレット ライター	1	1		
76-18	1444-621-3000-0	チェッカ スイッチ ASSY	1	1		

# No.75 電 装 関 係 (1)



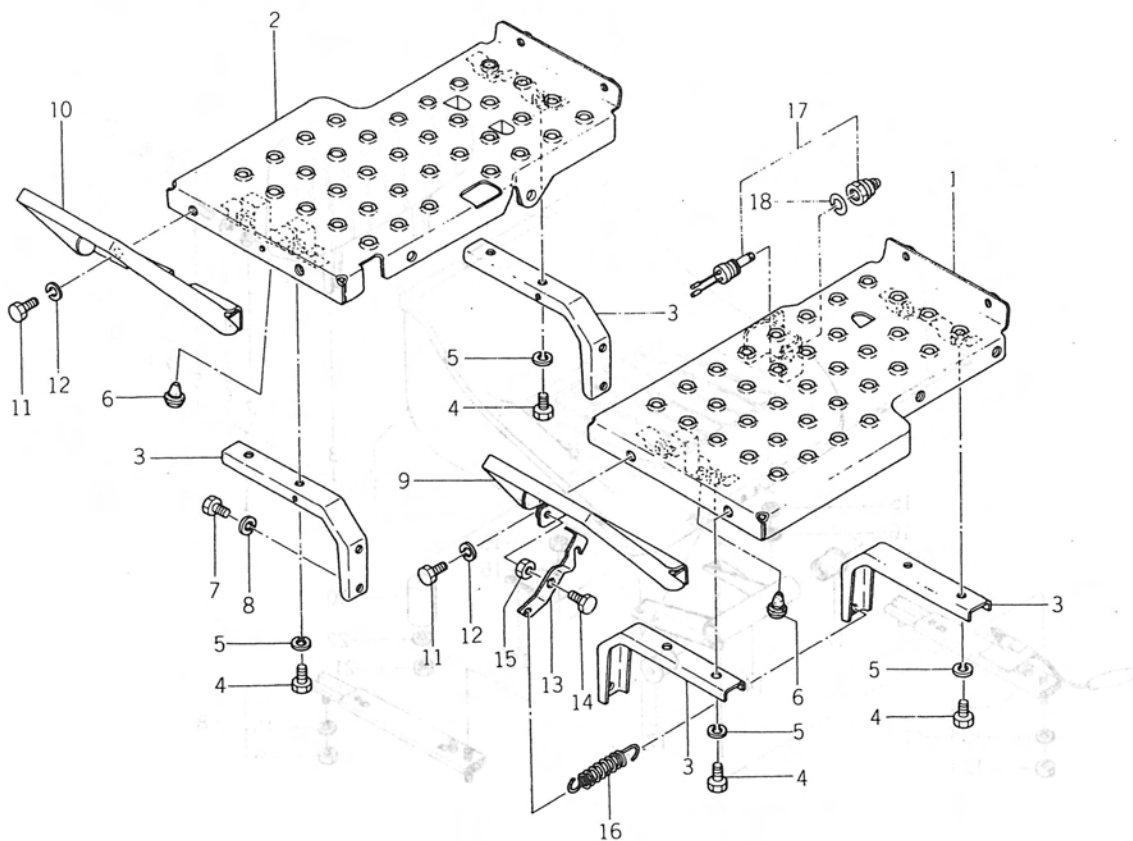
出番号	部品コード	品名	個数		規格	備考
			C	F		
5-1	1421-600-0520-0	バッテリー(N70Z) ASSY	1	1		
5-2	1417-621-0020-0	バッテリー ケーブル(チョウ)	1	1		
5-3	1423-621-0210-0	グラウンド ストラップ(430)	1	1		
5-4	1402-621-0140-0	ターミナル カバー(L50-14)	1	1		
5-5	1444-621-2000-0	バッテリー ベース COMP	1	1		
5-6	V20126-080160	コガタ ボルト	4	4	M8×16	
5-7	V40116-000800	S.W	4	4	M8	
5-8	1422-687-0010-0	バッテリー セット プレート	1	1		
5-9	1444-621-0020-0	バッテリー セット ボルト	2	2		
5-10	V41316-000600	ナミマル ザガネ	2	2	M6	
5-11	V40116-000600	S.W	2	2	M6	
5-12	V30026-000600	ナット	4	4	M6	

# No.74 ステップ関係



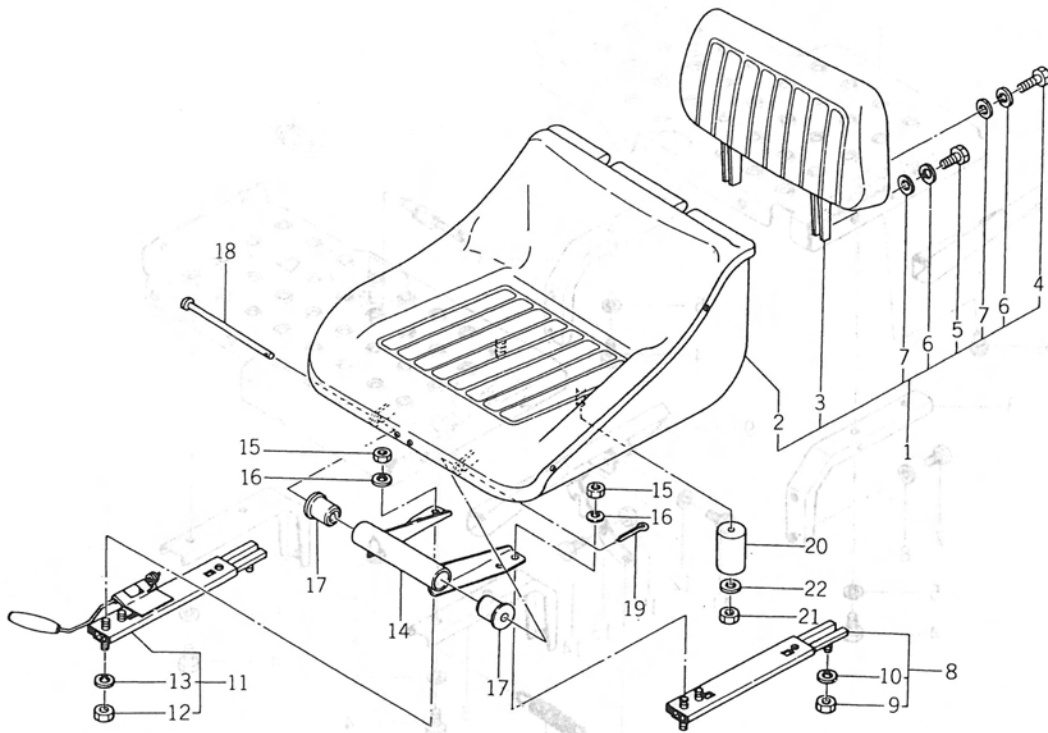
出番号	部品コード	品名	個数		規格	備考
			C	F		
74-1	1446-616-2000-0	ステップ(L) COMP	1	1		
74-2	1446-616-2100-0	ステップ(R) COMP	1	1		
74-3	1444-616-0010-0	ブラケット	4	4		
74-4	V20126-080160	コガタ ボルト	8	8	M8×16	
74-5	V40116-000800	S.W	8	8	M8	
74-6	1432-616-0020-0	クッション ゴム	3	3		
74-7	V20126-080120	コガタ ボルト	8	8	M8×12	
74-8	V40116-000800	S.W	8	8	M8	
74-9	1444-616-2200-0	サブ ステップ(L) COMP	1	1		
74-10	1444-616-2300-0	サブ ステップ(R) COMP	1	1		
74-11	V20126-080160	コガタ ボルト	4	4	M8×16	
74-12	V40116-000800	S.W	4	4	M8	
74-13	1444-122-0030-0	カット オフ アーム	1	1		
74-14	V20126-080200	コガタ ボルト	1	1	M8×20	
74-15	V30226-000800	ナット	1	1	M8 (3種)	
74-16	1414-312-0020-0	テンション スプリング(53)	1	1		
74-17	1444-621-2600-0	セフテイ スイッチ ASSY	1	1		
74-18	V40116-001600	S.W	1	1	M16	

# No.73 ステップ関係



見出番号	部品コード	品名	個数		規格	備考
			C	F		
73-1	1444-616-2000-0	ステップ(L) COMP	1	1		
73-2	1444-616-2100-0	ステップ(R) COMP	1	1		
73-3	1444-616-0010-0	ブラケット	4	4		
73-4	V20126-080160	コガタ ボルト	8	8	M8×16	
73-5	V40116-000800	S.W	8	8	M8	
73-6	1432-616-0020-0	クッション ゴム	3	3		
73-7	V20126-080120	コガタ ボルト	8	8	M8×12	
73-8	V40116-000800	S.W	8	8	M8	
73-9	1444-616-2200-0	サブ ステップ(L) COMP	1	1		
73-10	1444-616-2300-0	サブ ステップ(R) COMP	1	1		
73-11	V20126-080160	コガタ ボルト	4	4	M8×16	
73-12	V40116-000800	S.W	4	4	M8	
73-13	1444-122-0030-0	カット オフ アーム	1	1		
73-14	V20126-080200	コガタ ボルト	1	1	M8×20	
73-15	V30226-000800	ナット	1	1	M8 (3種)	
73-16	1414-312-0020-0	テンション スプリング(53)	1	1		
73-17	1444-621-2600-0	セフテイ スイッチ ASSY	1	1		
73-18	V40116-001600	S.W	1	1	M16	

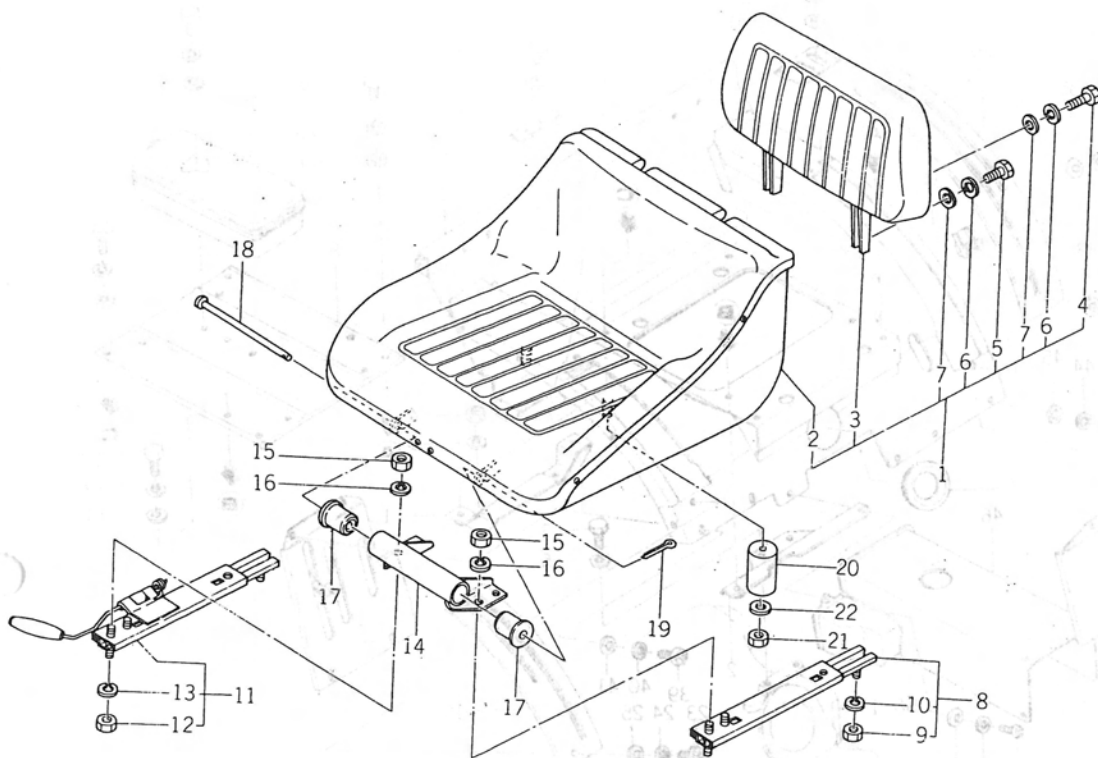
No.72 シート関係



出番号	部品コード	品名	個数		規格	備考
			C	F		
2-1	1444-611-2000-0	シート ASSY	1	1		
2-2	1444-611-2010-0	•シート (A)	1	1		
2-3	1421-611-0020-0	•シート (B)	1	1		
2-4	V20026-060300	•ボルト	2	2	M6×30	
2-5	V20026-060200	•ボルト	2	2	M6×20	
2-6	V40116-000600	•S.W	4	4	M6	
2-7	V41316-000600	•ナミマル ザガネ	4	4	M6	
2-8	1444-611-2100-0	シート アジャスタ (L) ASSY	1	1		
2-9	V30026-000800	•ナット	2	2	M8	
2-10	V40116-000800	•S.W	2	2	M8	
2-11	1444-611-2200-0	シート アジャスタ (R) ASSY	1	1		
2-12	V30026-000800	•ナット	2	2	M8	
2-13	V40116-000800	•S.W	2	2	M8	
2-14	1446-611-2000-0	シート ブラケット (A) COMP	1	1		
2-15	V30026-000800	ナット	4	4	M8	
2-16	V40116-000800	S.W	4	4	M8	
2-17	1444-611-0010-0	クッション ゴム (A)	2	2		
2-18	3737-154-0020-0	シート トリツケ ピン	1	1		
2-19	V50015-250200	ワリ ピン	1	1	2.5×20	
2-20	1444-611-0020-0	クッション ゴム	2	2		
2-21	V30026-000800	ナット	2	2	M8	
2-22	V41316-000800	ナミマル ザガネ	2	2	M8	

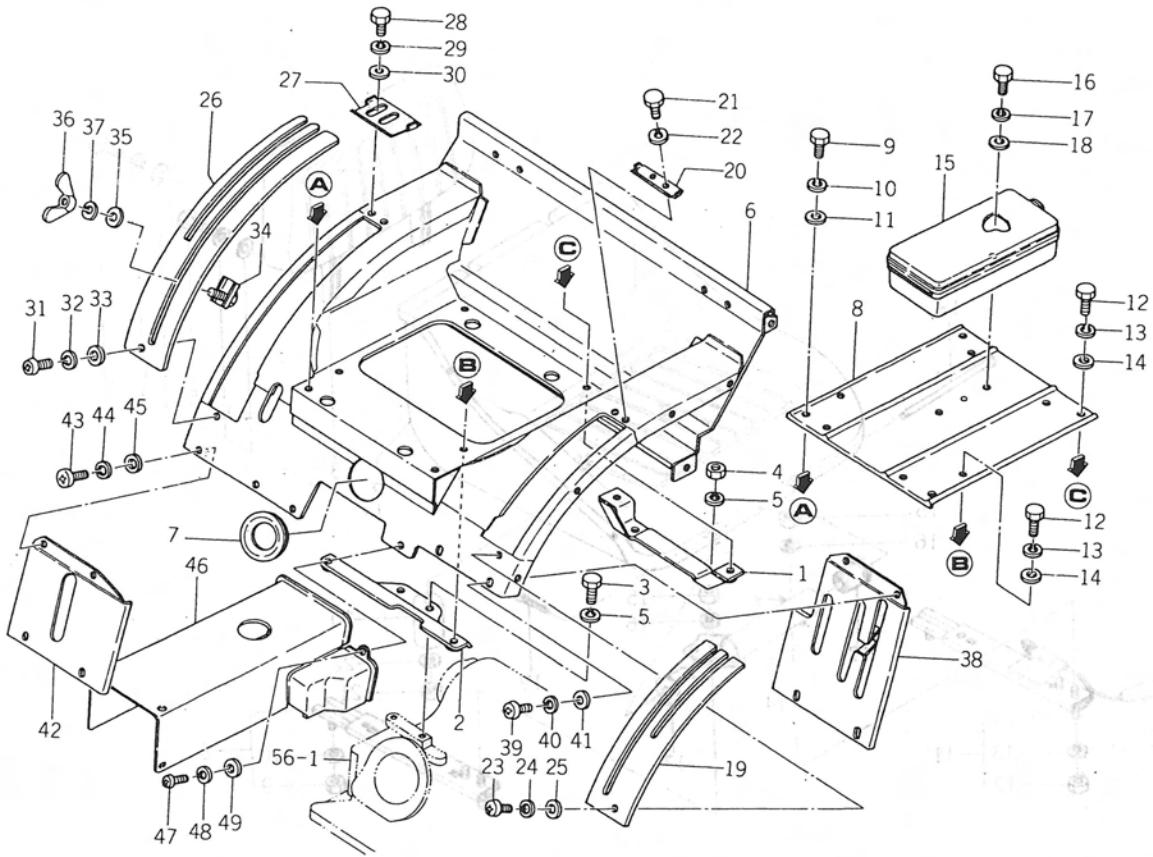


# No.71 シート関係



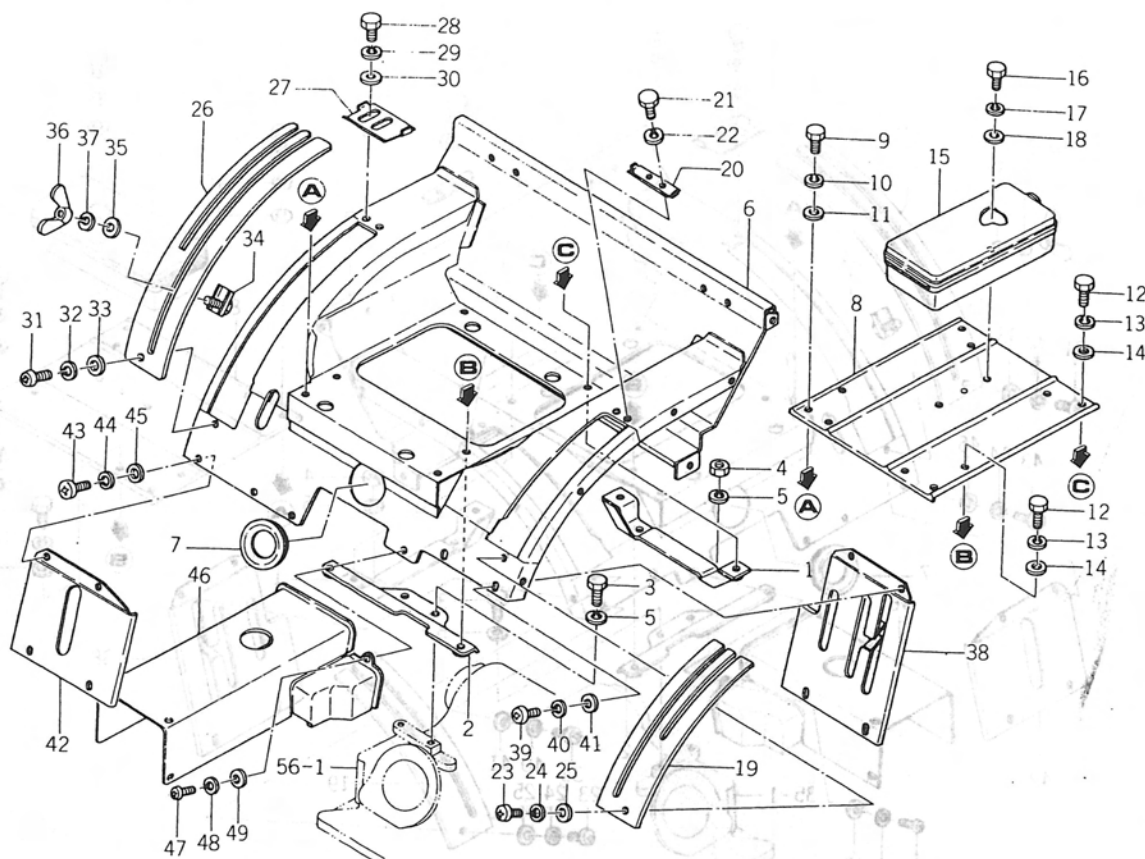
見出番号	部品コード	品名	個数		規格	備考
			C	F		
71-1	1444-611-2000-0	シート ASSY	1	1		
71-2	1444-611-2010-0	●シート(A)	1	1		
71-3	1421-611-0020-0	●シート(B)	1	1		
71-4	V20026-060300	●ボルト	1	1		
71-5	V40116-000600	●ボルト	2	2	M6×30	
71-6	V40116-000600	●S.W	2	2	M6×20	
71-7	V41316-000600	●ナミマル ザガネ	4	4	M6	
71-8	1444-611-2100-0	シート アジャスタ(L) ASSY	4	4	M6	
71-9	V30026-000800	●ナット	1	1		
71-10	V40116-000800	●S.W	2	2	M8	
71-11	1444-611-2200-0	シート アジャスタ(R) ASSY	2	2	M8	
71-12	V30026-000800	●ナット	1	1		
71-13	V40116-000800	●S.W	2	2	M8	
71-14	1444-611-2300-0	シート ブラケット(A) COMP	2	2	M8	
71-15	V30026-000800	ナット	1	1		
71-16	V40116-000800	S.W	4	4	M8	
71-17	1444-611-0010-0	クッション ゴム(A)	4	4	M8	
71-18	3737-154-0020-0	シート トリツケ ピン	2	2		
71-19	V50015-250200	ワリ ピン	1	1		
71-20	1444-611-0020-0	クッション ゴム	1	1	2.5×20	
71-21	V30026-000800	ナット	2	2		
71-22	V41316-000800	ナミマル ザガネ	2	2	M8	
			2	2	M8	

# No.70 フロアカバー関係



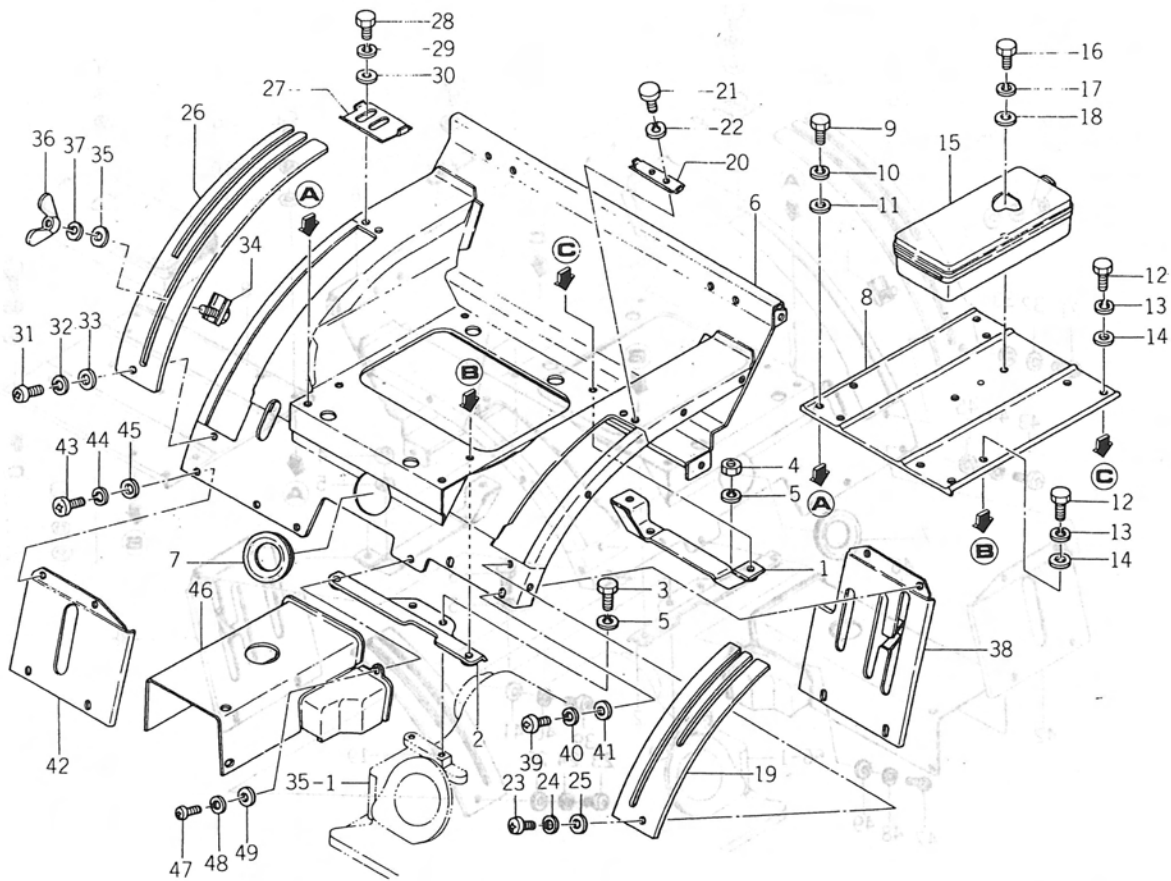
I番号	部品コード	品名	個数		規格	備考
			C	F		
-26	1444-607-2600-0	コントロール ガイド COMP	1	1		
-27	1444-607-0040-0	ガイド ストップ(B)	1	1		
-28	V20126-080160	コガタ ボルト	2	2	M8×16	
-29	V40116-000800	S.W	2	2	M8	
-30	V41316-000800	ナミマル ザガネ	2	2	M8	
-31	V11116-600160	プラス ナベ コネジ	1	1	M6×16	
-32	V40116-000600	S.W	1	1	M6	
-33	V41316-000600	ナミマル ザガネ	1	1	M6	
-34	1444-607-2700-0	ストップ COMP	1	1	M6	
-35	1444-601-0110-0	ワッシャ(9×2.4×1.6)	1	1		
-36	V37016-000800	チョウ ネット	1	1	M8	
-37	V40116-000800	S.W	1	1	M8	
-38	1444-607-2800-0	チェンジ ガイド(L) COMP	1	1		
-39	V11116-600120	プラス ナベ コネジ	4	4	M6×12	
-40	V40116-000600	S.W	4	4	M6	
-41	V41316-000600	ナミマル ザガネ	4	4	M6	
-42	1444-607-2900-0	チェンジ ガイド(R) COMP	1	1		
-43	V11116-600120	プラス ナベ コネジ	4	4	M6×12	
-44	V40116-000600	S.W	4	4	M6	
-45	V41316-000600	ナミマル ザガネ	4	4	M6	
-46	1446-607-2000-0	センタ カバー COMP	1	1		
-47	V11116-600120	プラス ナベ コネジ	4	4	M6×12	
-48	V40116-000600	S.W	4	4	M6	
-49	V41316-000600	ナミマル ザガネ	4	4	M6	

# No.70 フロアカバー関係



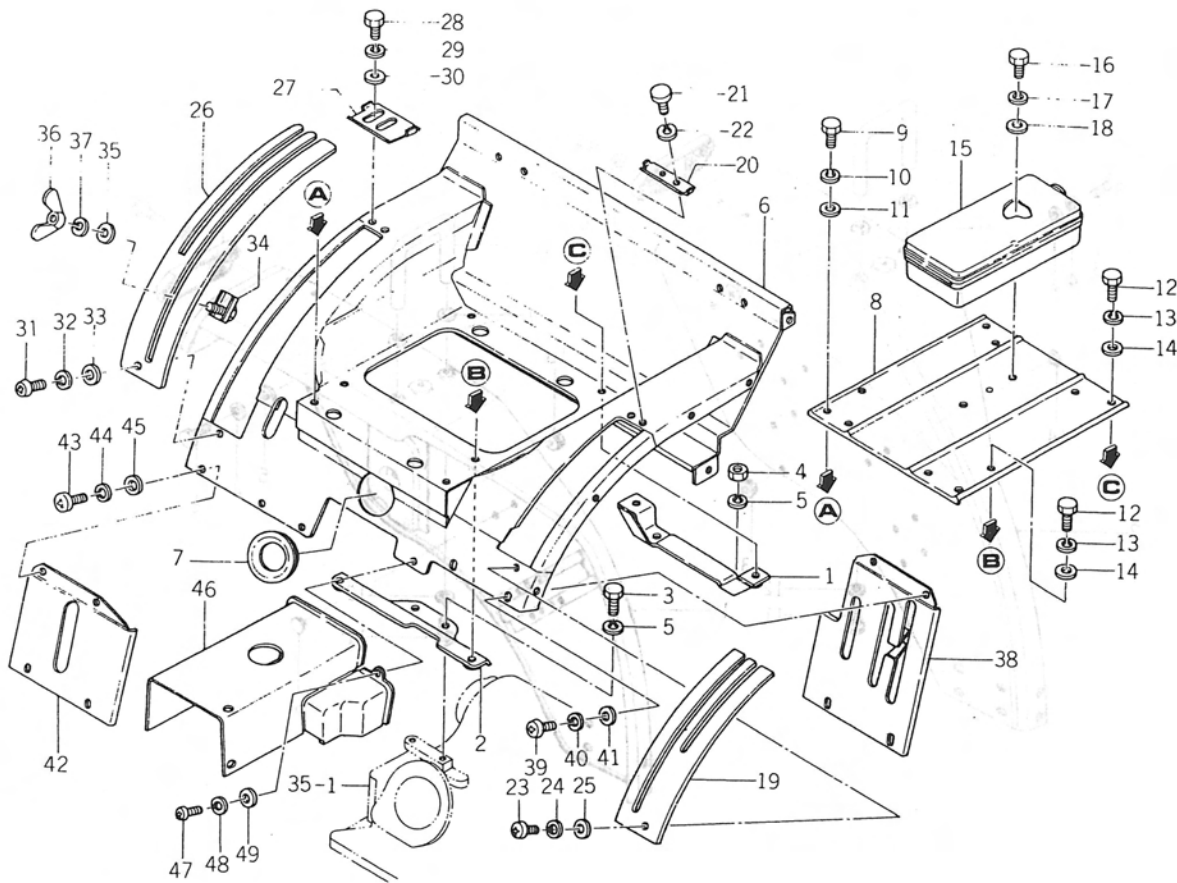
見出番号	部品コード	品名	個数		規格	備考
			C	F		
70-1	1444-607-2000-0	ステ-(A) COMP	1	1		
70-2	1444-607-2100-0	ステ-(B) COMP	1	1		
70-3	V20126-080160	コガタ ボルト	2	2	M8×16	
70-4	V30026-000800	ナット	2	2	M8	
70-5	V40116-000800	S.W	4	4	M8	
70-6	1444-607-2200-0	フロア カバー COMP	1	1		
70-7	1444-607-0010-0	グロメット(40×60×1)	1	1		
70-8	1444-607-2400-0	アッパ カバー COMP	1	1		
70-9	V11116-600160	プラス ナベ コネジ	2	2	M6×16	
70-10	V40116-000600	S.W	2	2	M6	
70-11	V41316-000600	ナミマル ザガネ	2	2	M6	
70-12	V20126-080200	コガタ ボルト	4	4	M8×20	
70-13	V40116-000800	S.W	4	4	M8	
70-14	V41316-000800	ナミマル ザガネ	4	4	M8	
70-15	1444-607-0020-0	ツール ボックス	1	1		
70-16	V11116-600120	プラス ナベ コネジ	2	2	M6×12	
70-17	V40116-000600	S.W	2	2	M6	
70-18	V41316-000600	ナミマル ザガネ	2	2	M6	
70-19	1444-607-2500-0	セレクト ガイド COMP	1	1		
70-20	1444-607-0030-0	ガイド ストップ(A)	1	1		
70-21	V20126-080160	コガタ ボルト	2	2	M8×16	
70-22	V40116-000800	S.W	2	2	M8	
70-23	V11116-600160	プラス ナベ コネジ	1	1	M6×16	
70-24	V40116-000600	S.W	1	1	M6	
70-25	V41316-000600	ナミマル ザガネ	1	1	M6	

# No.69 フロアカバー関係



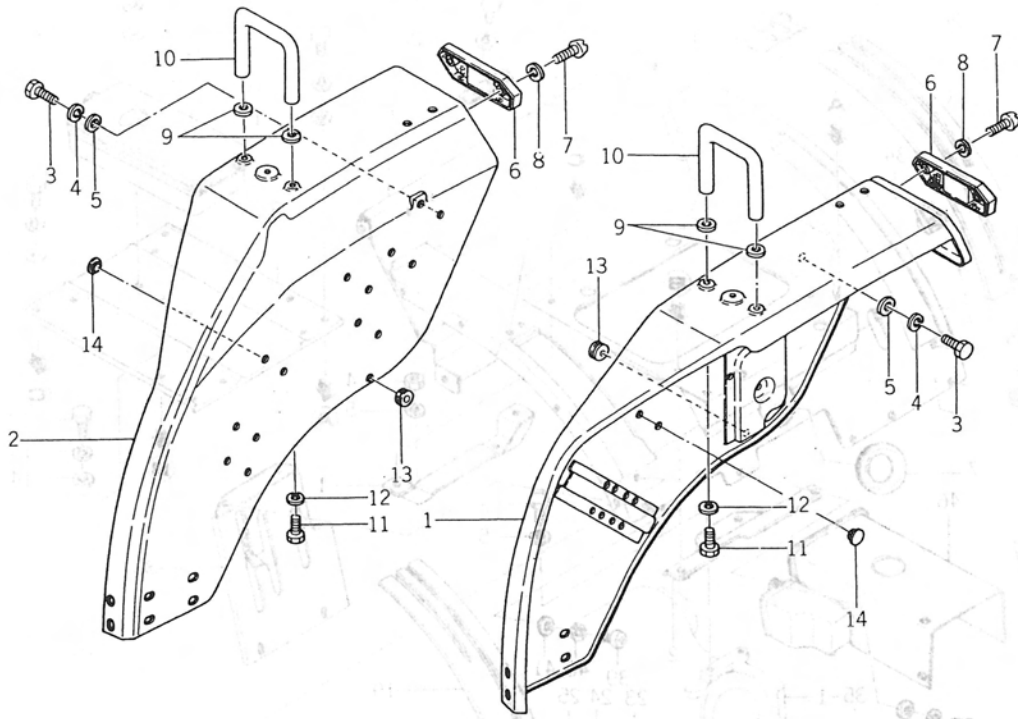
出番号	部品コード	品名	個数		規格	備考
			C	F		
69-26	1444-607-2600-0	コントロールガイド COMP	1	1		
69-27	1444-607-0040-0	ガイド ストップ(B)	1	1		
69-28	V20126-080160	コガタ ボルト	2	2	M8×16	
69-29	V40116-000800	S.W	2	2	M8	
69-30	V41316-000800	ナミマル ザガネ	2	2	M8	
69-31	V11116-600160	プラス ナベ コネジ	1	1	M6×16	
69-32	V40116-000600	S.W	1	1	M6	
69-33	V41316-000600	ナミマル ザガネ	1	1	M6	
69-34	1444-607-2700-0	ストップ COMP	1	1		
69-35	1444-601-0110-0	ワッシャ(9×24×1.6)	1	1		
69-36	V37016-000800	チョウ ナット	1	1	M8	
69-37	V40116-000800	S.W	1	1	M8	
69-38	1444-607-2800-0	チェンジガイド(L) COMP	1	1		
69-39	V11116-600120	プラス ナベ コネジ	4	4	M6×12	
69-40	V40116-000600	S.W	4	4	M6	
69-41	V41316-000600	ナミマル ザガネ	4	4	M6	
69-42	1444-607-2900-0	チェンジガイド(R) COMP	1	1		
69-43	V11116-600120	プラス ナベ コネジ	4	4	M6×12	
69-44	V40116-000600	S.W	4	4	M6	
69-45	V41316-000600	ナミマル ザガネ	4	4	M6	
69-46	1444-607-3000-0	センタ カバー COMP	1	1		
69-47	V11116-600120	プラス ナベ コネジ	4	4	M6×12	
69-48	V40116-000600	S.W	4	4	M6	
69-49	V41316-000600	ナミマル ザガネ	4	4	M6	

# No.69 フロアカバー関係



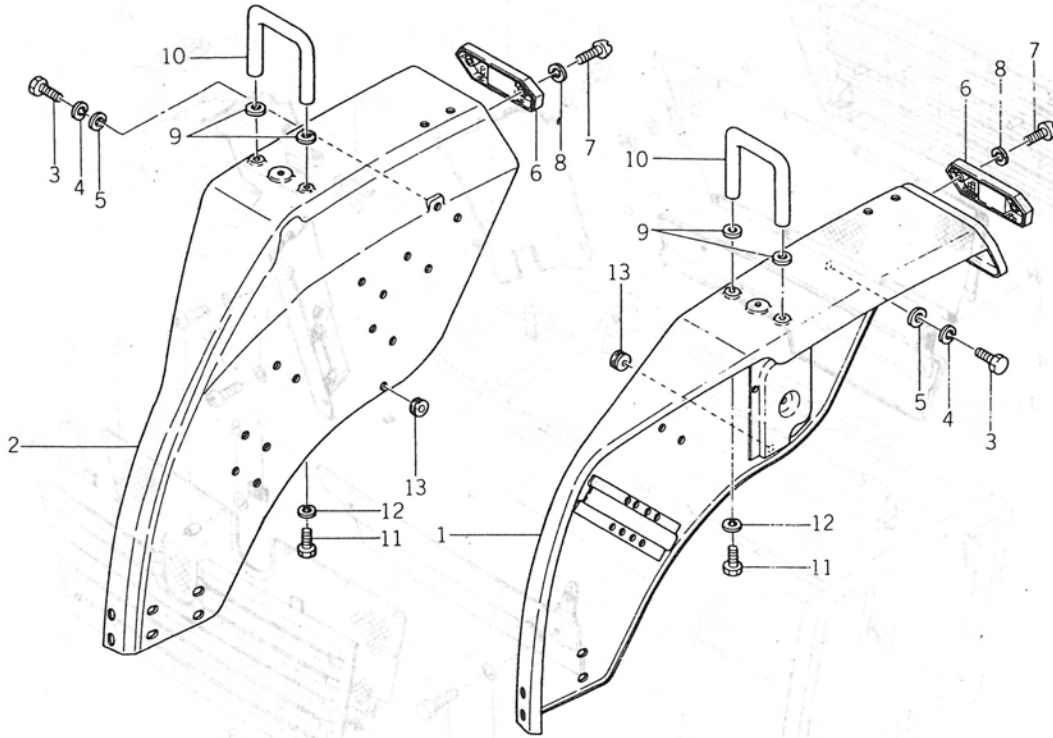
見出番号	部品コード	品名	個数		規格	備考
			C	F		
69-1	1444-607-2000-0	ステ- (A) COMP	1	1		
69-2	1444-607-2100-0	ステ- (B) COMP	1	1		
69-3	V20126-080160	コガタ ボルト	2	2	M8×16	
69-4	V30026-000800	ナット	2	2	M8	
69-5	V40116-000800	S.W	4	4	M8	
69-6	1444-607-2200-0	フロア カバー COMP	1	1		
69-7	1444-607-0010-0	グロメット (40×60×1)	1	1		
69-8	1444-607-2400-0	アップ カバー COMP	1	1		
69-9	V11116-600160	プラス ナベ コネジ	2	2	M6×16	
69-10	V40116-000600	S.W	2	2	M6	
69-11	V41316-000600	ナミマル ザガネ	2	2	M6	
69-12	V20126-080200	コガタ ボルト	4	4	M8×20	
69-13	V40116-000800	S.W	4	4	M8	
69-14	V41316-000800	ナミマル ザガネ	4	4	M8	
69-15	1444-607-0020-0	ツール ボックス	1	1		
69-16	V11116-600120	プラス ナベ コネジ	2	2	M6×12	
69-17	V40116-000600	S.W	2	2	M6	
69-18	V41316-000600	ナミマル ザガネ	2	2	M6	
69-19	1444-607-2500-0	セレクト ガイド COMP	1	1		
69-20	1444-607-0030-0	ガイド ストップ (A)	1	1		
69-21	V20126-080160	コガタ ボルト	2	2	M8×16	
69-22	V40116-000800	S.W	2	2	M8	
69-23	V11116-600160	プラス ナベ コネジ	1	1	M6×16	
69-24	V40116-000600	S.W	1	1	M6	
69-25	V41316-000600	ナミマル ザガネ	1	1	M6	

# No.68 フェンダー 関係



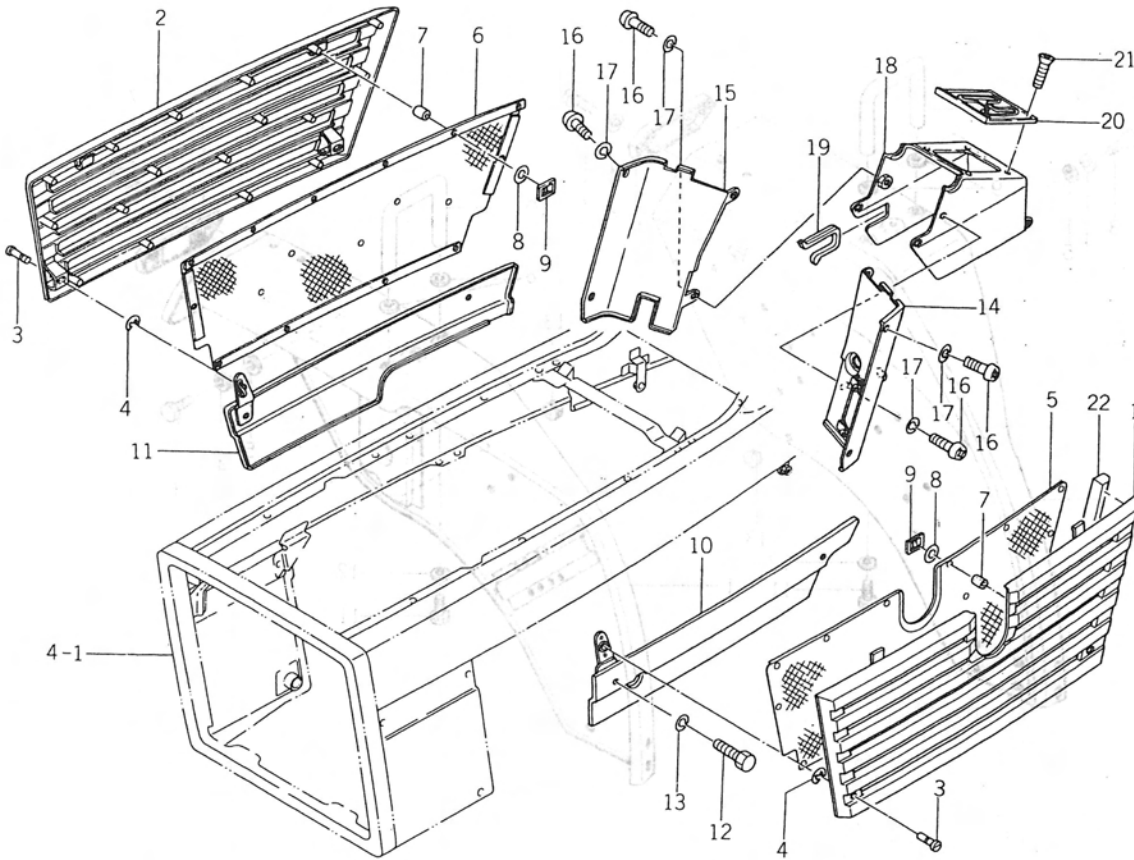
品番号	部品コード	部品名	個数		規格	備考
			C	F		
3-1	1444-606-2000-1	フェンダ(L) COMP	1	1		
3-2	1444-606-2200-1	フェンダ(R) COMP	1	1		
8-3	V 126-08016	コガタ ボルト	18	18	M8×16	
8-4	V40116-000800	S.W	18	18	M8	
3-5	V41316-000800	ナミマル ザガネ	18	18	M8	
8-6	1444-606-0010-0	テール プレート	2	2		
8-7	V11116-500250	プラス ナベ コネジ	4	4	M5×25	
3-8	V40116-000500	S.W	4	4	M5	
8-9	3560-201-0150-0	ケックジク ザガネ	4	4		
8-10	1421-606-0020-0	ハンド キャッチャ	2	2		
3-11	V20126-080200	コガタ ボルト	4	4	M8×20	
3-12	V40116-000800	S.W	4	4	M8	
8-13	3622-822-0080-0	ゴム ブッシュ	2	2		
3-14	1444-621-0160-0	ゴム キャップ(9)	12	12		D用

# No.67 フェンダー - 関係



見出番号	部品コード	品名	個数		規格	備考
			C	F		
67-1	1444-606-2000-1	フェンダ(L) COMP	1	1		
67-2	1444-606-2200-1	フェンダ(R) COMP	1	1		
67-3	V20126-080160	コガタ ボルト	18	18	M8×16	
67-4	V40116-000800	S.W	18	18	M8	
67-5	V41316-000800	ナミマル ザガネ	18	18	M8	
67-6	1444-606-0010-0	テール プレート	2	2		
67-7	V11116-500250	プラス ナベ コネジ	4	4	M5×25	
67-8	V40116-000500	S.W	4	4	M5	
67-9	3560-201-0150-0	ケツクジク ザガネ	4	4		
67-10	1421-606-0020-0	ハンド キャッチャ	2	2		
67-11	V20126-080200	コガタ ボルト	4	4	M8×20	
67-12	V40116-000800	S.W	4	4	M8	
67-13	3622-822-0080-0	ゴム ブッシュ	2	2		

No.66 ファンカバー関係

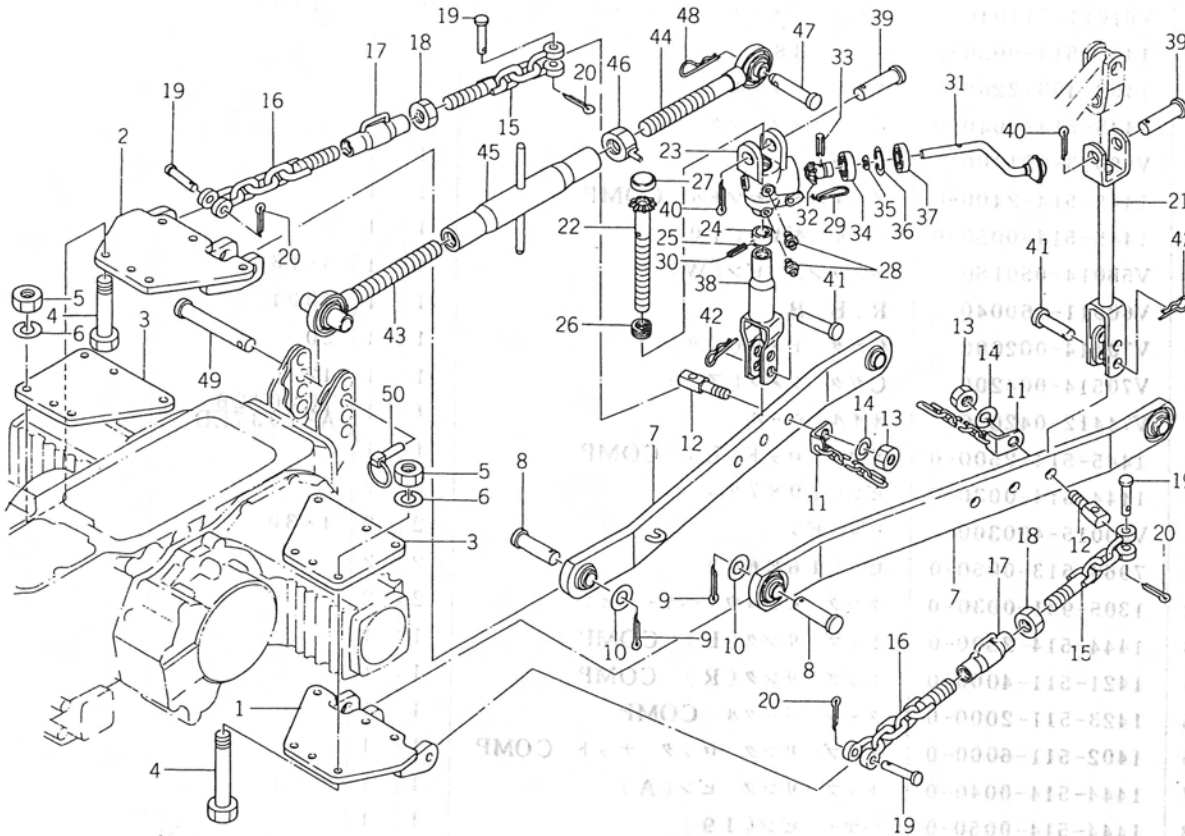


見出番号	部品コード	品名	個数		規格	備考
			C	F		
66-1	1444-604-2000-0	ファンカバー(L)COMP	1	1		
66-2	1444-604-2100-0	ファンカバー(R)COMP	1	1		
66-3	1444-604-0010-0	サインワッシャー	4	4		
66-4	V71014-000900	Eガタトメワ	4	4	9	
66-5	1444-604-2200-0	ネット(L)COMP	1	1		
66-6	1444-604-2300-0	ネット(R)COMP	1	1		
66-7	1444-604-0020-0	クッションゴム	34	34		
66-8	1444-604-0030-0	ネットワッシャー(4×12×2)	34	34		
66-9	V35016-000400	スピードナット(P)	34	34	4	
66-10	1444-604-2400-0	サイドカバー(L)COMP	1	1		
66-11	1444-604-2500-0	サイドカバー(R)COMP	1	1		
66-12	V20126-080160	コガタボルト	4	4	M8×16	
66-13	V40116-000800	S.W	4	4	M8	
66-14	1444-604-2800-0	リヤカバー(L)COMP	1	1		
66-15	1444-604-0040-0	リヤカバー(R)	1	1		
66-16	V11116-600120	プラスナベコネジ	8	8	M6×12	
66-17	V40116-000600	S.W	8	8	M6	
66-18	1444-604-2900-0	チェンジカバーCOMP	1	1		
66-19	1444-604-0050-0	クッションゴム	1	1		
66-20	1444-604-0060-0	チェンジガイド	1	1		
66-21	V11314-500160	プラスマルサラコネジ	4	4	M5×16	
66-22	1444-604-0070-0	ウレタンシール	1	1		



見出番号	部品コード	品名	個数		規格	備考
			C	F		
65-26	V61011-511040	ヘイメン スラスト(シングル)	1	1	51104	
65-27	1445-514-0030-0	シール(38)	1	1		
65-28	1432-403-2260-0	グリス ニップル	2	2		
65-29	1445-514-0040-0	ロック スプリング	1	1		
65-30	V59013-091000	テッセン	1	1		
65-31	1445-514-2400-0	アジャスト ハンドル COMP	1	1		
65-32	1445-514-0050-0	ペベル ギヤ(10)	1	1		
65-33	V58014-050180	スプリング ピン(W)	1	1	5×18	
65-34	V60011-060040	R.B.B	1	1	6004	
65-35	V70414-002000	Cガタ トメワ(ジク)	1	1	20	
65-36	V70514-004200	Cガタ トメワ(アナ)	1	1	42	
65-37	V74412-042080	オイル シール	1	1	TC20428 AE1037ED	
65-38	1445-514-2500-0	リフト ロッド(L) COMP	1	1		
65-39	1444-514-0030-0	ピン(19×72)	2	2		
65-40	V50015-400300	ワリ ピン	2	2	4×30	
65-41	7963-613-0050-0	ピン(16×60)	2	2		
65-42	1305-931-0030-0	キング ピンヨウ ヘヤー ピン	2	2		
65-43	1444-514-2800-0	トップ リンク(L) COMP	1	1		
65-44	1421-511-4000-0	トップ リンク(R) COMP	1	1		
65-45	1423-511-2000-0	ターン バックル COMP	1	1		
65-46	1402-511-6000-0	トップ リンク ロック ナット COMP	1	1		
65-47	1444-514-0040-0	トップ リンク ピン(A)	1	1		
65-48	1444-514-0050-0	ヘヤー ピン(19)	1	1		
65-49	1444-514-0060-0	トップ リンク ピン(B)	1	1		
65-50	1421-502-0020-0	リンク ピン	1	1		

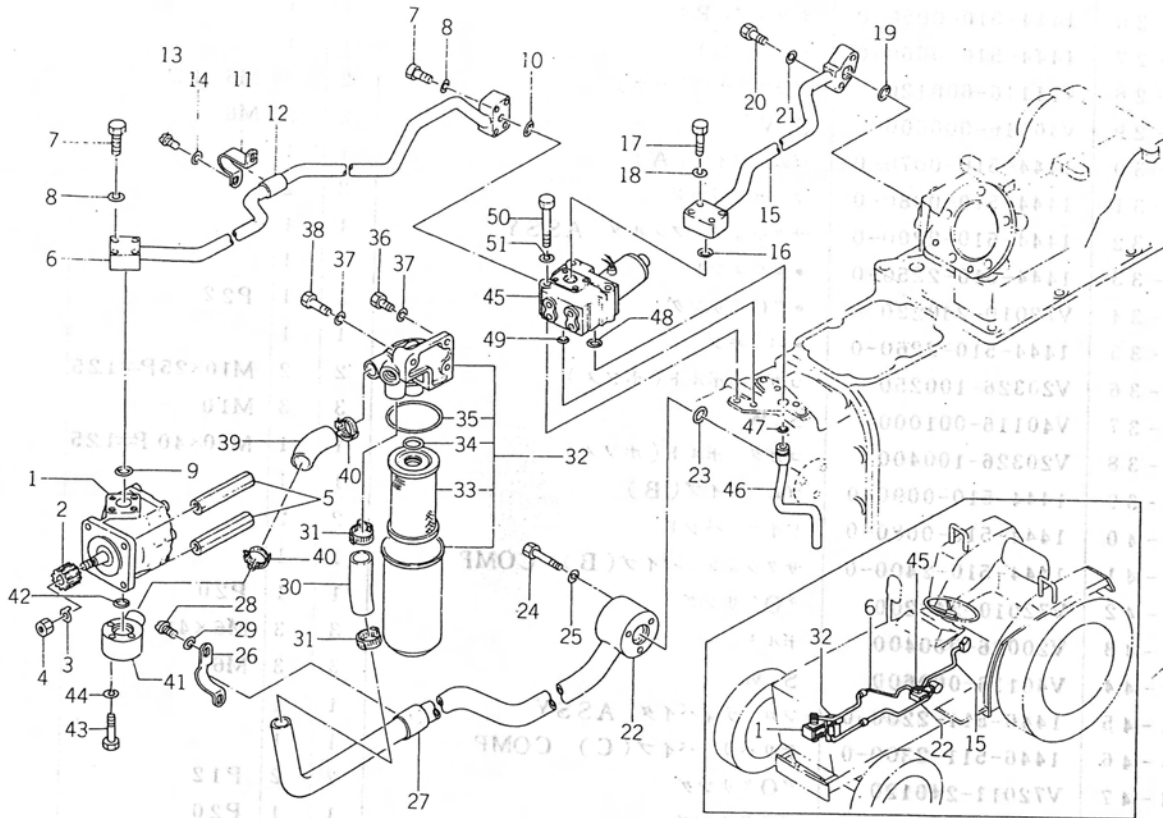
# No.65 スリーポイントリンク関係



出番号	部品コード	品名	個数		規格	備考
			C	F		
5-1	1444-514-2000-0	ロアリンク ブラケット(L) COMP	1	1		
65-2	1444-514-2100-0	ロアリンク ブラケット(R) COMP	1	1		
65-3	1444-514-0010-0	プレート(C)	2	2		
5-4	V20146-121550	コガタ ボルト	12	12	M12×155(9T)	
5-5	V30046-001200	ナット	12	12	M12 (7T)	
65-6	V40116-001200	S.W	12	12	M12	
5-7	1445-514-2000-0	ロー リンク COMP	2	2		
5-8	1444-514-0020-0	ロー リンク ピン	2	2		
65-9	V50015-400350	ワリ ピン	2	2	4×35	
5-10	V41316-002200	ナミマル ザガネ	2	2	M22	
5-11	1416-511-4000-0	ロー リンク チェーン COMP	2	2		
65-12	7963-611-0010-0	チェーン ピン	2	2		
5-13	V30026-001600	ナット	2	2	M16	
5-14	V40116-001600	S.W	2	2	M16	
65-15	1445-514-2100-0	チェック チェーン(A) COMP	2	2		
65-16	1445-514-2200-0	チェック チェーン(B) COMP	2	2		
5-17	1444-514-2300-0	ターン バックル(A) COMP	2	2		
5-18	V30226-001600	ナット	2	2	M16(3種)	
65-19	7963-611-0030-0	ピン(12×48)	4	4		
5-20	V50015-300250	ワリ ピン	4	4	3×25	
5-21	1444-514-2400-0	リフト ロッド COMP	1	1		
65-22	1445-514-2300-0	ベベルギヤー COMP	1	1		
5-23	1445-514-0010-0	ベベル ケース	1	1		
5-24	1445-514-0020	カラ-(20×30×10)	1	1		
65-25	V58014-05030	スプリング ピン(W)	1	1	5×30	

見出番号	部品コード	品名	個数		規格	備考
			C	F		
64-26	1444-510-0050-0	クランプ(B)	1	1		
64-27	1444-510-0060-0	ラバー(B)	1	1		
64-28	V11116-600120	プラス ナベ コネジ	2	2	M6×12	
64-29	V40116-000600	S.W	2	2	M6	
64-30	1444-510-0070-0	ゴム パイプ(A)	1	1		
64-31	1444-510-0080-0	ワイヤ バンド	2	2		
64-32	1444-510-2200-0	サクション フィルタ ASSY	1	1		
64-33	1444-510-2250-0	●エレメント	1	1		
64-34	V72010-240220	●"O"リング	1	1	P22	
64-35	1444-510-2260-0	●パッキン	1	1		
64-36	V20326-100250	コガタ ボルト(ホソメ)	2	2	M10×25P=1.25	
64-37	V40116-001000	S.W	3	3	M10	
64-38	V20326-100400	コガタ ボルト(ホソメ)	1	1	M10×40 P=1.25	
64-39	1444-510-0090-0	ゴム パイプ(B)	1	1		
64-40	1444-510-0080-0	ワイヤ バンド	2	2		
64-41	1444-510-2400-0	サクション パイプ(B) COMP	1	1		
64-42	V72010-240200	"O"リング	1	1	P20	
64-43	V20026-060400	ボルト	3	3	M6×40	
64-44	V40116-000600	S.W	3	3	M6	
64-45	1446-511-2200-0	フローディバイダ ASSY	1	1		
64-46	1446-511-2300-0	デリバリ パイプ(C) COMP	1	1		
64-47	V72011-240120	"O"リング	2	2	P12	
64-48	V72011-240200	"O"リング	1	1	P20	
64-49	V72011-240140	"O"リング	2	2	P14	
64-50	V20126-080600	コガタ ボルト	3	3	M8×60	
64-51	V40116-000800	S.W	3	3	M8	

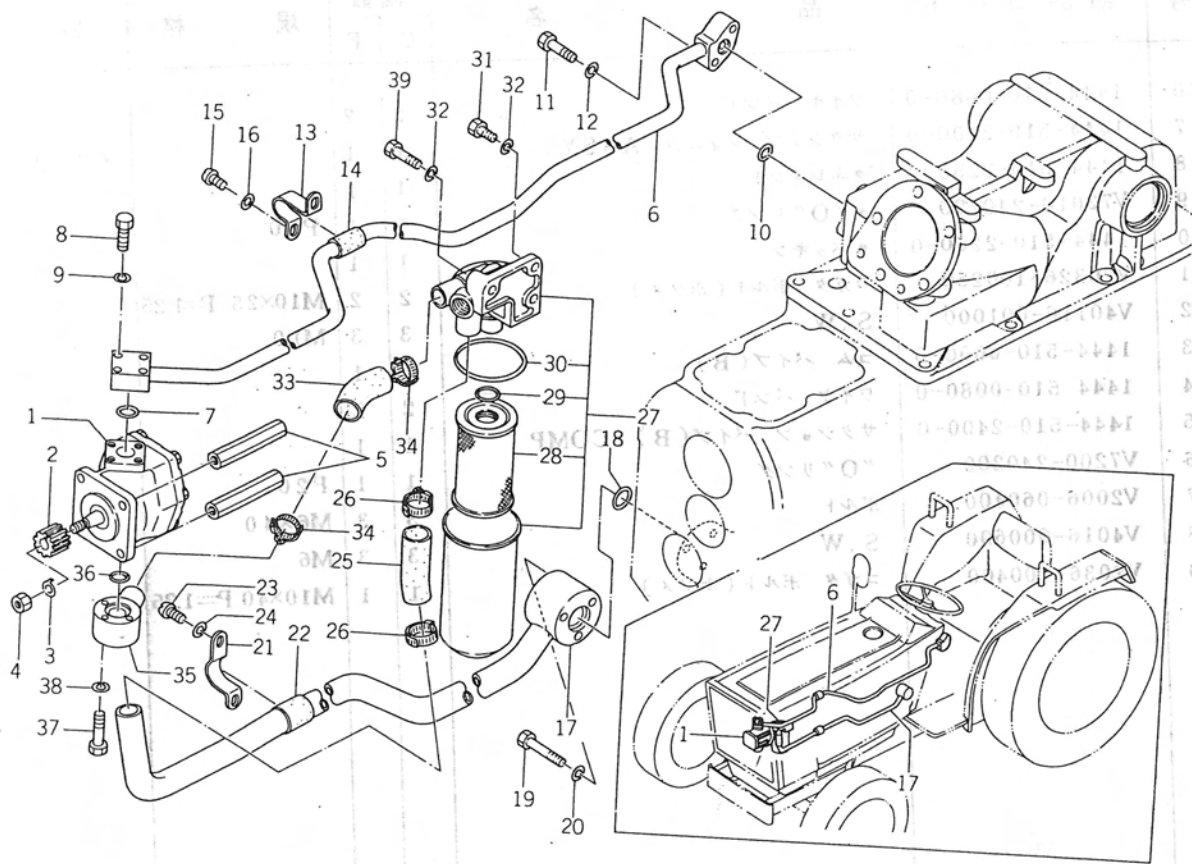
# No.64 ハイドロリックパイピング (G型)



出番号	部品コード	品名	個数		規格	備考
			C	F		
64-1	1444-510-0010-0	ギヤ-ポンプ	1	1		
64-2	1444-408-0040-0	スプライン ボス	1	1		
64-3	1404-503-0090-0	ギヤ-ポンプ トメ ワッシャ	1	1		
64-4	V30326-000800	コガタ ナット	1	1	M8	
64-5	1444-510-0020-0	フクロ ナット(M8)	2	2		
64-6	1446-511-2000-0	デリバリ パイプ(A) COMP	1	1		
64-7	V20026-060300	ボルト	8	8	M6×30	
64-8	V40116-000600	S.W	8	8	M6	
64-9	V72011-240200	"O"リング	1	1	P20	
64-10	V72011-240140	"O"リング	1	1	P14	
64-11	1444-510-0030-0	クランプ(A)	1	1		
64-12	1444-510-0040-0	ラバー(A)	1	1		
64-13	V11116-600120	プラス ナベ コネジ	2	2	M6×12	
64-14	V40116-000600	S.W	2	2	M6	
64-15	1446-511-2100-0	デリバリ パイプ(B) COMP	1	1		
64-16	V72011-240140	"O" リング	1	1	P14	
64-17	V20026-060300	ボルト	4	4	M5×30	
64-18	V40116-00060	S.W	4	4	M6	
64-19	V72011-24014	"O" リング	1	1	P14	
64-20	V20126-080350	コガタ ボルト	2	2	M8×35	
64-21	V40116-000800	S.W	2	2	M8	
64-22	1446-510-2100-0	サクシジョン パイプ(A) COMP	1	1		
64-23	V72110-310250	"O"リング	1	1	G25	
64-24	V20126-080550	コガタ ボルト	3	3	M8×55	
64-25	V40116-000800	S.W	3	3	M8	

見出番号	部品コード	品名	個数		規格	備考
			C	F		
63-26	1444-510-0080-0	ワイヤ バンド	2	2		
63-27	1444-510-2200-0	サクション フィルタ ASSY	1	1		63-28~30含
63-28	1444-510-2250-0	●エレメント	1	1		
63-29	V72010-240220	●"O"リング	1	1		
63-30	1444-510-2260-0	●パッキン	1	1	P20	
63-31	V20326-100250	コガタ ボルト(ホソメ)	1	1		
63-32	V40116-001000	S.W	2	2	M10×25 P=1.25	
63-33	1444-510-0090-0	ゴム パイプ(B)	3	3	M10	
63-34	1444-510-0080-0	ワイヤ バンド	1	1		
63-35	1444-510-2400-0	サクション パイプ(B) COMP	2	2		
63-36	V7200-240200	"O"リング	1	1		
63-37	V2006-060400	ボルト	1	1	P20	
63-38	V4016-000600	S.W	3	3	M6×40	
63-39	V2036 100400	コガタ ボルト(ホソメ)	3	3	M6	
			1	1	M10×40 P=1.25	

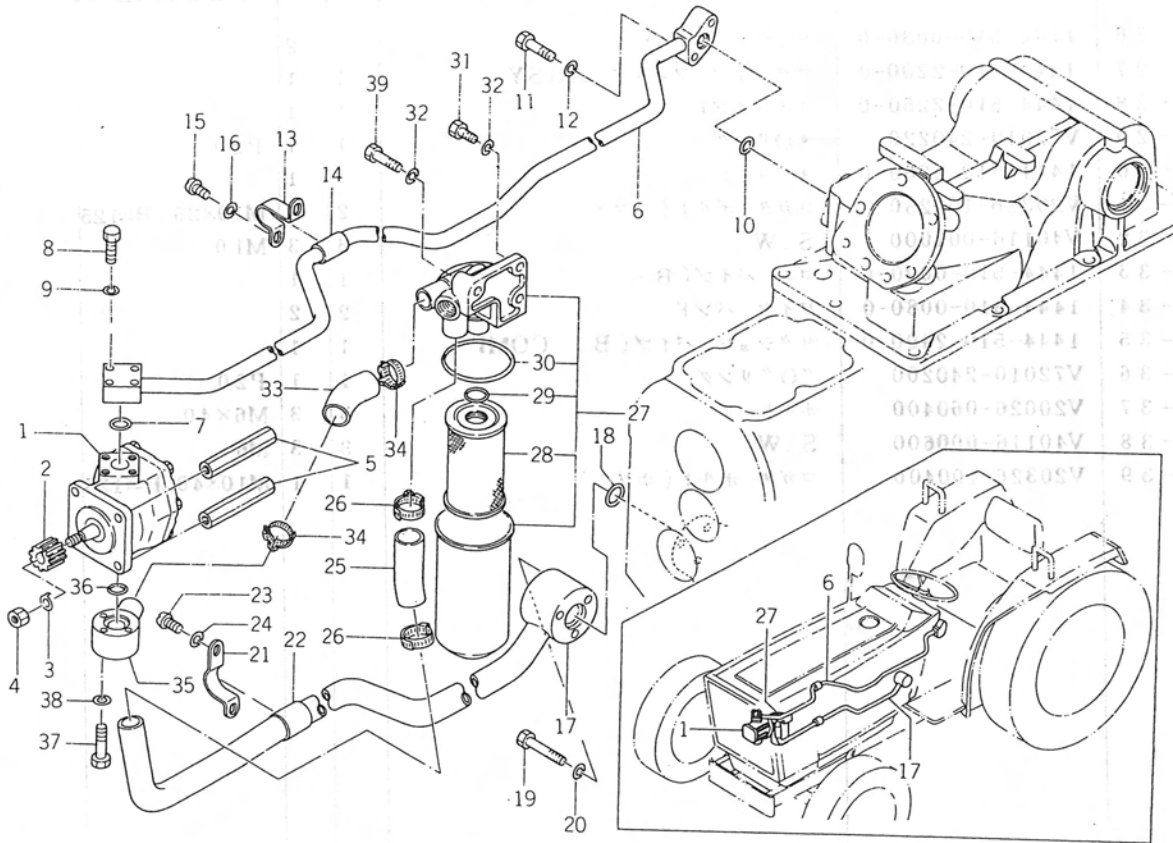
# No. 63 ハイドロリックパイピング (C.F.H型)



出番号	部品コード	品名	個数		規格	備考
			C	F		
3-1	1444-510-0010-0	ギヤー ポンプ				
2	1444-408-0040-0	スプライン ボス	1	1		
3	1404-503-0090-0	ギヤー ポンプ トメワッシャ	1	1		
3-4	V30326-000800	コガタ ナット	1	1		
3-5	1444-510-0020-0	フクロ ナット(M8)	1	1	M8	
6	1446-510-2000-0	デリバリ バイブ COMP	2	2		
7	V2011-240200	"O"リング	1	1		
8	V20026-060300	ボルト	1	1	P20	
9	V40116-000600	S.W	4	4	M6×30	
10	V72011-240140	"O"リング	4	4	M6	
11	V20126-080350	コガタ ボルト	1	1	P14	
12	V40116-080800	S.W	2	2	M8×35	
13	1444-510-0030-0	クランプ(A)	2	2	M8	
14	1444-510-0040-0	ラバー(A)	1	1		
15	V11116-600120	プラス ナベ コネジ	1	1		
16	V40116-000600	S.W	2	2	M6×12	
17	1446-510-2100-0	サクション バイブ(A) COMP	2	2	M6	
18	V72110-310250	"O"リング	1	1		
19	V20126-080550	コガタ ボルト	1	1	G25	
20	V40116-080800	S.W	3	3	M8×55	
21	1444-510-0050-0	クランプ(B)	3	3	M8	
22	1444-510-0060-0	ラバー(B)	1	1		
23	V11116-600120	プラス ナベ コネジ	1	1		
24	V40116-000600	S.W	2	2	M6×12	
25	1444-510-0070-0	ゴム バイブ(A)	2	2	M6	
26			1	1		

見出番号	部品コード	品名	個数		規格	備考
			C	F		
62-26	1444-510-0080-0	ワイヤ バンド	2	2		
62-27	1444-510-2200-0	サクシヨ ン フィルタ ASSY	1	1		
62-28	1444-510-2250-0	●エレメント	1	1		
62-29	V72010-240220	●Oリング	1	1	P20	
62-30	1444-510-2260-0	●パッキン	1	1		
62-31	V20326-100250	コガタ ボルト(ホソメ)	2	2	M10×25 P=125	
62-32	V40116-001000	S.W	3	3	M10	
62-33	1444-510-0090-0	ゴム バイブ(B)	1	1		
62-34	1444-510-0080-0	ワイヤ バンド	2	2		
62-35	1444-510-2400-0	サクシヨ ン バイブ(B) COMP	1	1		
62-36	V72010-240200	"O"リング	1	1	P20	
62-37	V20026-060400	ボルト	3	3	M6×40	
62-38	V40116-000600	S.W	3	3	M6	
62-39	V20326-100400	コガタ ボルト(ホソメ)	1	1	M10×40 P=125	

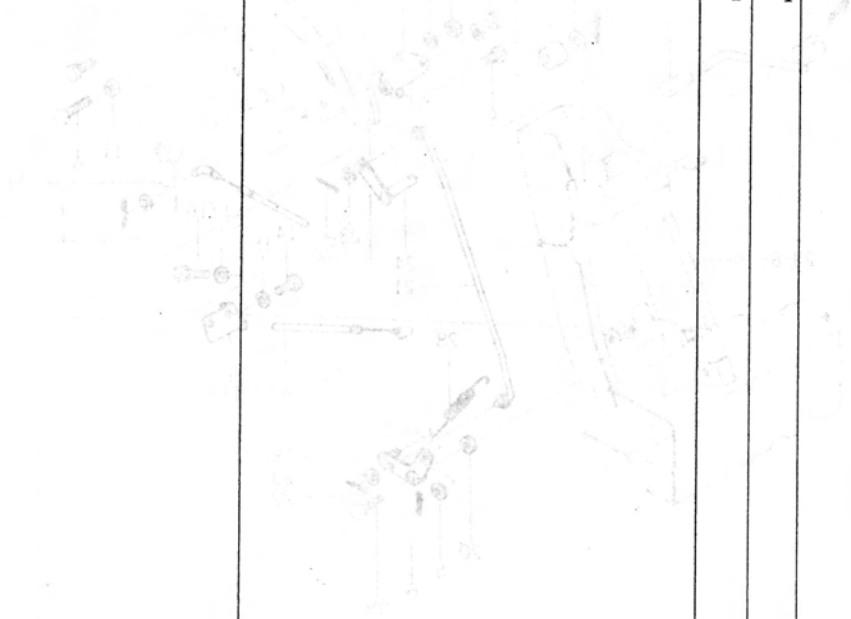
# No.62 ハイドロリックパイピング



見出番号	部品コード	品名	個数		規格	備考
			C	F		
62-1	1444-510-0010-0	ギヤポンプ	1	1		
62-2	1444-408-0040-0	スプラインボス	1	1		
62-3	1404-503-0090-0	ギヤポンプ トメワッシャ	1	1		
62-4	V30326-000800	コガタナット	1	1	M8	
62-5	1444-510-0020-0	フクロナット(M8)	1	1		
62-6	1444-510-2000-0	デリバリパイプ COMP	2	2		
62-7	V72011-240200	"O"リング	1	1		
62-8	V20026-060300	ボルト	1	1	P20	
62-9	V40116-000600	S.W	4	4	M6×30	
62-10	V72011-240140	"O"リング	4	4	M6	
62-11	V20126-080350	コガタボルト	1	1	P14	
62-12	V40116-000800	S.W	2	2	M8×35	
62-13	1444-510-0030-0	クランプ(A)	2	2	M8	
62-14	1444-510-0040-0	ラバー(A)	1	1		
62-15	V11116-600120	プラスナベコネジ	1	1		
62-16	V40116-000600	S.W	2	2	M6×12	
62-17	1444-510-2100-0	サクシヨンパイプ(A) COMP	2	2	M6	
62-18	V72110-310250	"O"リング	1	1		
62-19	V20126-080550	コガタボルト	1	1	G25	
62-20	V40116-000800	S.W	3	3	M8×55	
62-21	1444-510-0050-0	クランプ(B)	3	3	M8	
62-22	1444-510-0060-0	ラバー(B)	1	1		
62-23	V11116-600120	プラスナベコネジ	1	1		
62-24	V40116-000600	S.W	2	2	M6×12	
62-25	1444-510-0070-0	ゴムパイプ(A)	2	2	M6	
			1	1		

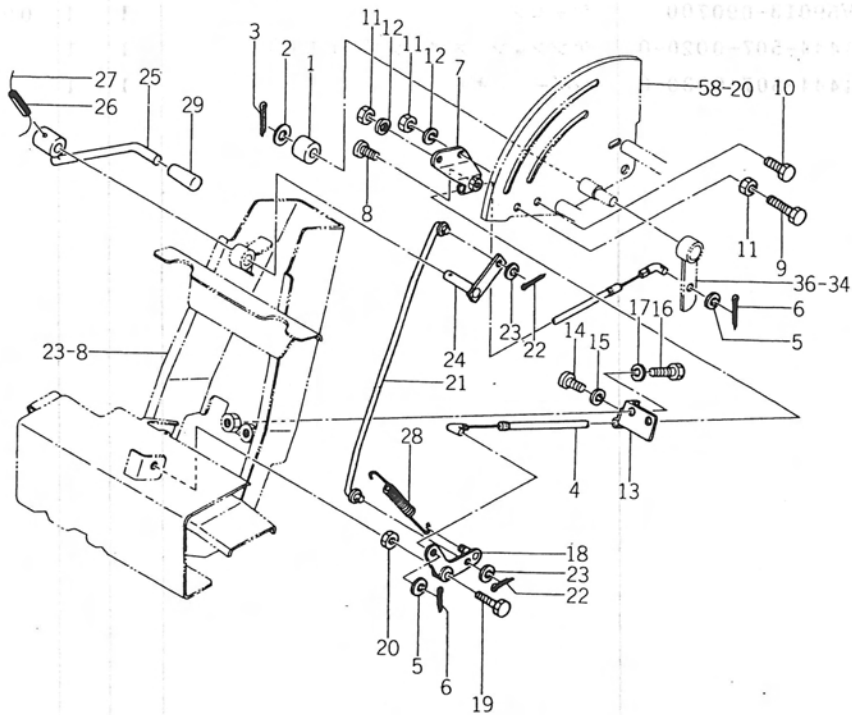


見出番号	部品コード	品名	個数		規格	備
			C	F		
61-26	V58014-040200	スプリング ピン(W)	1	1	4×20	
61-27	V59013-090700	テッセン	1	1	0.9×70	
61-28	1444-507-0020-0	テンション スプリング(111)	1	1		
61-29	1444-507-0030-0	レバー ニギリ	1	1		



見出番号	部品コード	品名	個数	規格	備
61-10	V58014-040200	スプリング ピン(W)	1	4×20	
61-11	V59013-090700	テッセン	1	0.9×70	
61-12	1444-507-0020-0	テンション スプリング(111)	1		
61-13	1444-507-0030-0	レバー ニギリ	1		
61-14	V58014-040200	スプリング ピン(W)	1	4×20	
61-15	V59013-090700	テッセン	1	0.9×70	
61-16	1444-507-0020-0	テンション スプリング(111)	1		
61-17	1444-507-0030-0	レバー ニギリ	1		
61-18	V58014-040200	スプリング ピン(W)	1	4×20	
61-19	V59013-090700	テッセン	1	0.9×70	
61-20	1444-507-0020-0	テンション スプリング(111)	1		
61-21	1444-507-0030-0	レバー ニギリ	1		
61-22	V58014-040200	スプリング ピン(W)	1	4×20	
61-23	V59013-090700	テッセン	1	0.9×70	
61-24	1444-507-0020-0	テンション スプリング(111)	1		
61-25	1444-507-0030-0	レバー ニギリ	1		

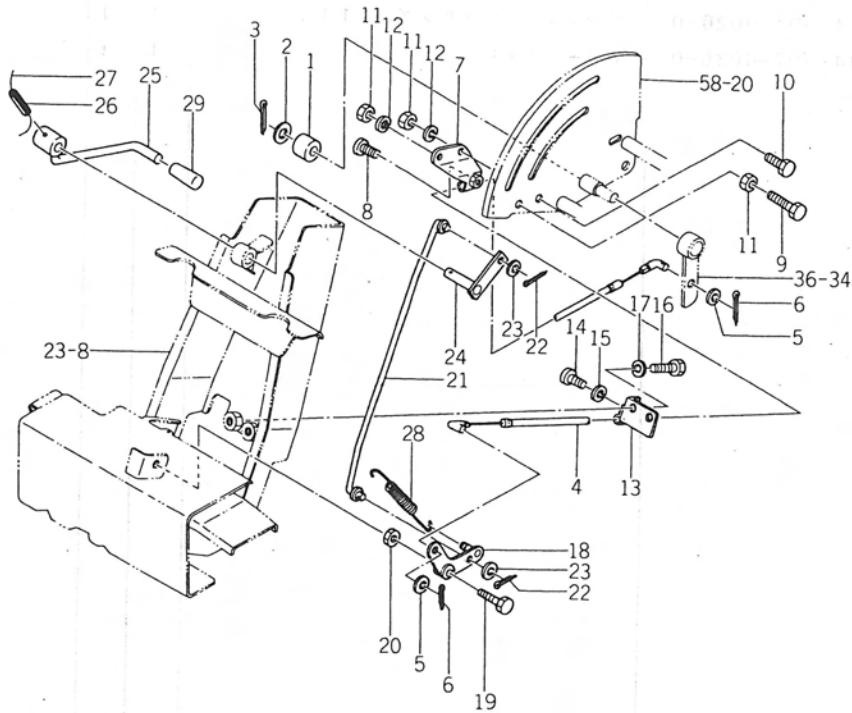
# No.61 コントロールアーム関係



見出番号	部品コード	品名	個数		規格	備考
			C	F		
61-1	1444-506-2120-0	ボス(12×25×16)	1	1		
61-2	V41316-001200	ナミマル ザガネ	1	1	M12	
61-3	V50015-200250	ワリピン	1	1	2×25	
61-4	1446-507-2000-0	コントロールワイヤ ASSY	1	1		
61-5	V41316-000500	ナミマル ザガネ	2	2	M5	
61-6	V50015-150150	ワリピン	2	2	1.5×15	
61-7	1444-507-2200-0	ワイヤホルダ(A) COMP	1	1		
61-8	V11116-600160	プラスナベコネジ	1	1	M6×16	
61-9	V20026-060450	ボルト	1	1	M6×45	
61-10	V20026-060120	ボルト	1	1	M6×12	
61-11	V30026-000600	ナット	3	3	M6	
61-12	V40116-000600	S.W	2	2	M6	
61-13	1444-507-2300-0	ワイヤホルダ(B) COMP	1	1		
61-14	V11116-600160	プラスナベコネジ	1	1	M6×16	
61-15	V40116-000600	S.W	1	1	M6	
61-16	V20026-060120	ボルト	2	2	M6×12	
61-17	V40116-000600	S.W	2	2	M6	
61-18	1444-507-2400-0	リンク(A) COMP	1	1		
61-19	V20126-080300	コガタボルト	1	1	M8×30	
61-20	V30226-000800	ナット	1	1	M8(3種)	
61-21	1444-507-2500-0	ロッド COMP	1	1		
61-22	V50015-150150	ワリピン	1	1		
61-23	V41316-000600	ナミマル ザガネ	2	2	1.5×15	
61-24	1444-507-2600-0	リンク(B) COMP	2	2	M6	
61-25	1444-507-2700-0	レバー COMP	1	1		

見出番号	部品コード	品名	個数		規格	備考
			C	F		
60-26	V58014-040200	スプリングピン(W)	1	1	4×20	
60-27	V59013-090700	テッセン	1	1	0.9×70	
60-28	1444-507-0020-0	テンションスプリング(111)	1	1		
60-29	1444-507-0030-0	レバーニギリ	1	1		

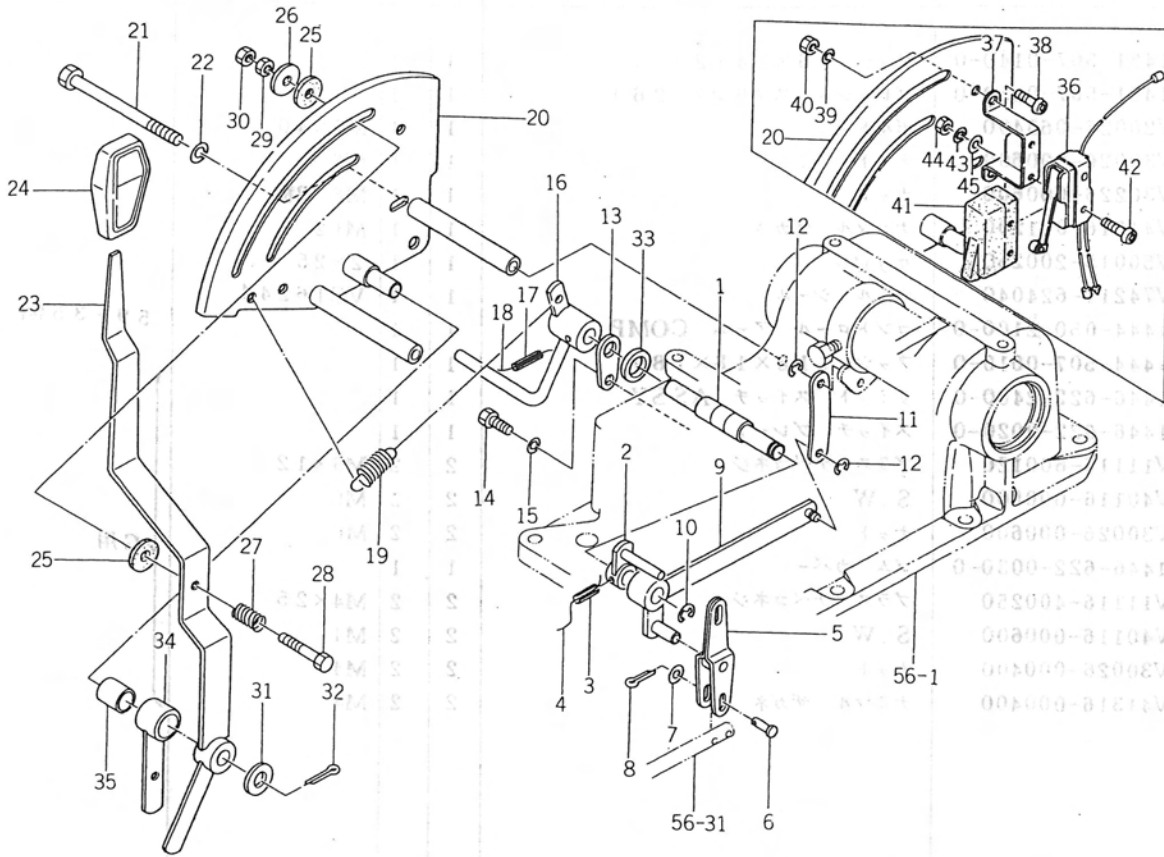
# No.60 コントロールアーム関係



見出番号	部品コード	品名	個数		規格	備考
			C	F		
60-1	1444-506-2120-0	ボス(12×25×16)	1	1		
60-2	V41316-001200	ナミマル ザガネ	1	1	M12	
60-3	V50015-200250	ワリピン	1	1	2×25	
60-4	1444-507-2100-0	コントロールワイヤ ASSY	1	1		
60-5	V41316-000500	ナミマル ザガネ	2	2	M5	
60-6	V50015-150150	ワリピン	2	2	1.5×15	
60-7	1444-507-2200-0	ワイヤホルダ(A) COMP	1	1		
60-8	V11116-600160	プラスナベコネジ	1	1	M6×16	
60-9	V20026-060450	ボルト	1	1	M6×45	
60-10	V20026-060120	ボルト	1	1	M6×12	
60-11	V30026-000600	ナット	3	3	M6	
60-12	V40116-000600	S.W	2	2	M6	
60-13	1444-507-2300-0	ワイヤホルダ(B) COMP	1	1		
60-14	V11116-600160	プラスナベコネジ	1	1	M6×16	
60-15	V40116-000600	S.W	1	1	M6	
60-16	V20026-060120	ボルト	2	2	M6×12	
60-17	V40116-000600	S.W	2	2	M6	
60-18	1444-507-2400-0	リンク(A) COMP	1	1		
60-19	V20126-080300	コガタボルト	1	1	M8×30	
60-20	V30226-000800	ナット	1	1	M8 (3種)	
60-21	1444-507-2500-0	ロッド COMP	1	1		
60-22	V50015-150150	ワリピン	2	2	1.5×15	
60-23	V41316-000600	ナミマル ザガネ	2	2	M6	
60-24	1444-507-2600-0	リンク(B) COMP	1	1		
60-25	1444-507-2700-0	レバ COMP	1	1		

引出番号	部品コード	品名	個数		規格	備考
				F		
59-26	1421-507-0140-0	ワッシャ (6×24×2)	1	1		
59-27	1421-507-0150-0	プレッシャ スプリング (26)	1	1		
59-28	V20026-060400	ボルト	1	1	M6×40	
59-29	V30026-000600	ナット	1	1	M6	
59-30	V30226-000600	ナット	1	1	M6 3種	
59-31	V41316-001200	ナミマル ザガネ	1	1	M12	
59-32	V50015-200250	ワリピン	1	1	2×25	
59-33	V74211-624040	オイル シール	1	1	VC16244	
59-34	1444-050-2100-0	コントロール アーム COMP	1	1		59-35含む
59-35	1444-507-0010-0	ブッシュ (16×18×18)	1	1		
59-36	1446-622-2400-0	リミット スイッチ ASSY	1	1		
59-37	1446-622-0020-0	スイッチ プレート	1	1		
59-38	V11116-600120	プラス ナベコネジ	2	2	M6×12	
59-39	V40116-000600	S.W	2	2	M6	
59-40	V30026-000600	ナット	2	2	M6	
59-41	1446-622-0030-0	ゴム カバー	1	1		G用
59-42	V11116-400250	プラス ナベコネジ	2	2	M4×25	
59-43	V40116-000600	S.W	2	2	M4	
59-44	V30026-000400	ナット	2	2	M4	
59-45	V41316-000400	ナミマル ザガネ	2	2	M4	

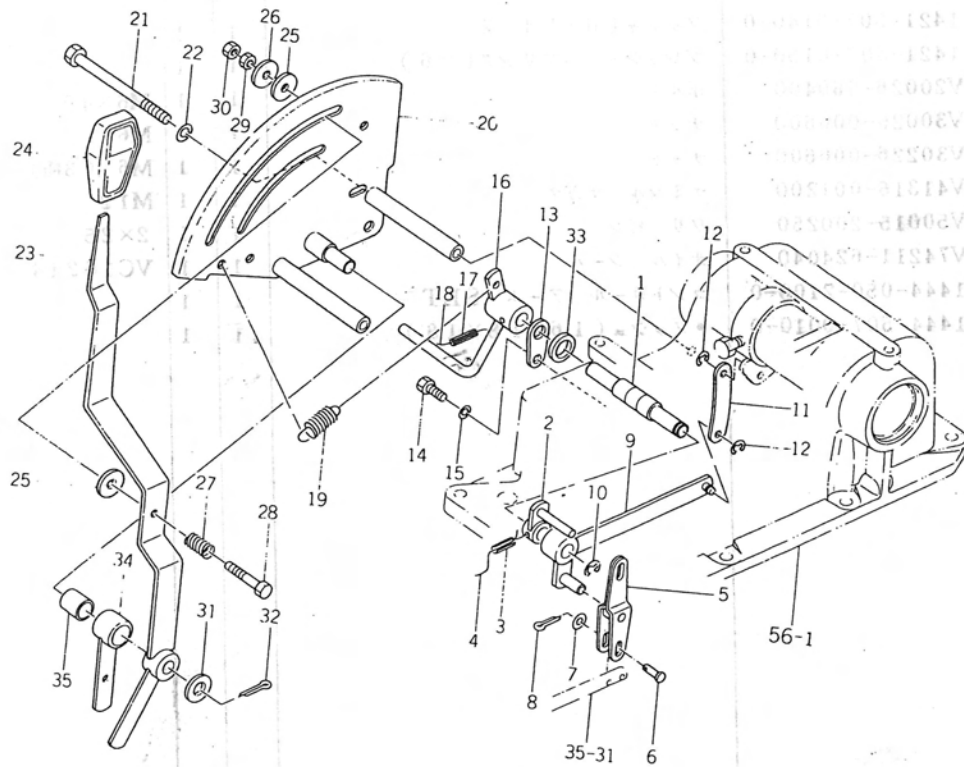
# No.59 ポジションコントロール関係



見出番号	部品コード	品名	個数		規格	備考
				F		
59-1	1444-505-0010-0	ポジション シャフト	1	1		
59-2	1444-505-2000-0	ポジション アーム(A) COMP	1	1		
59-3	V58014-040180	スプリング ピン(W)	1	1	4×18	
59-4	V59013-090700	テッセン	1	1	0.9×70	
59-5	1444-505-2100-0	スプール リンク COMP	1	1		
59-6	1434-503-0020-0	ピン(5×17)	1	1		
59-7	V41316-000500	ナミマル ザガネ	1	1	M5	
59-8	V50015-200150	ワリピン	1	1	2×15	
59-9	1444-505-2200-0	フィード バック アーム COMP	1	1		
59-10	V71014-000900	Eガタ トメワ	1	1	9	
59-11	1444-505-0020-0	アーム(D)	1	1		
59-12	V71014-000400	Eガタ トメワ	2	2	4	
59-13	1421-507-0070-0	ストップ	1	1		
59-14	V20126-080160	コガタ ボルト	1	1	M8×16	
59-15	V40116-000800	S.W	1	1	M8	
59-16	1444-505-2300-0	ポジション アーム(B) COMP	1	1		
59-17	V58014-040250	スプリング ピン(W)	1	1	4×25	
59-18	V59013-091000	テッセン	1	1	0.9×100	
59-19	1444-505-0030-0	テンション スプリング(45)	1	1		
59-20	1444-506-2000-0	レバー ガイド COMP	1	1		
59-21	V20126-081150	コガタ ボルト	2	2	M8×115	
59-22	V40116-000800	S.W	2	2	M8	
59-23	1444-506-2100-0	ポジション レバー COMP	1	1		
59-24	1432-242-0040-0	グリップ(B)	1	1		
59-25	1421-507-0130-0	ライニング	2	2		

見出番号	部品コード	品名	個数		規格	備考
			C	F		
58-26	1421-507-0140-0	ワッシャ(6×24×2)	1	1		
58-27	1421-507-0150-0	プレッシャ スプリング(26)	1	1		
58-28	V20026-060400	ボルト	1	1	M6×40	
58-29	V30026-000600	ナット	1	1	M6	
58-30	V30226-000600	ナット	1	1	M6 (3種)	
58-31	V41316-001200	ナミマル ザガネ	1	1	M12	
58-32	V50015-200250	ワリ ピン	1	1	2×25	
58-33	V74211-624040	オイル シール	1	1	VC16244	
58-34	1444-050-2100-0	コントロール アーム SET	1	1		58-35含む
58-35	1444-507-0010-0	•ブッシュ(16×18×18)	1	1		

# No.58 ポジションコントロール関係

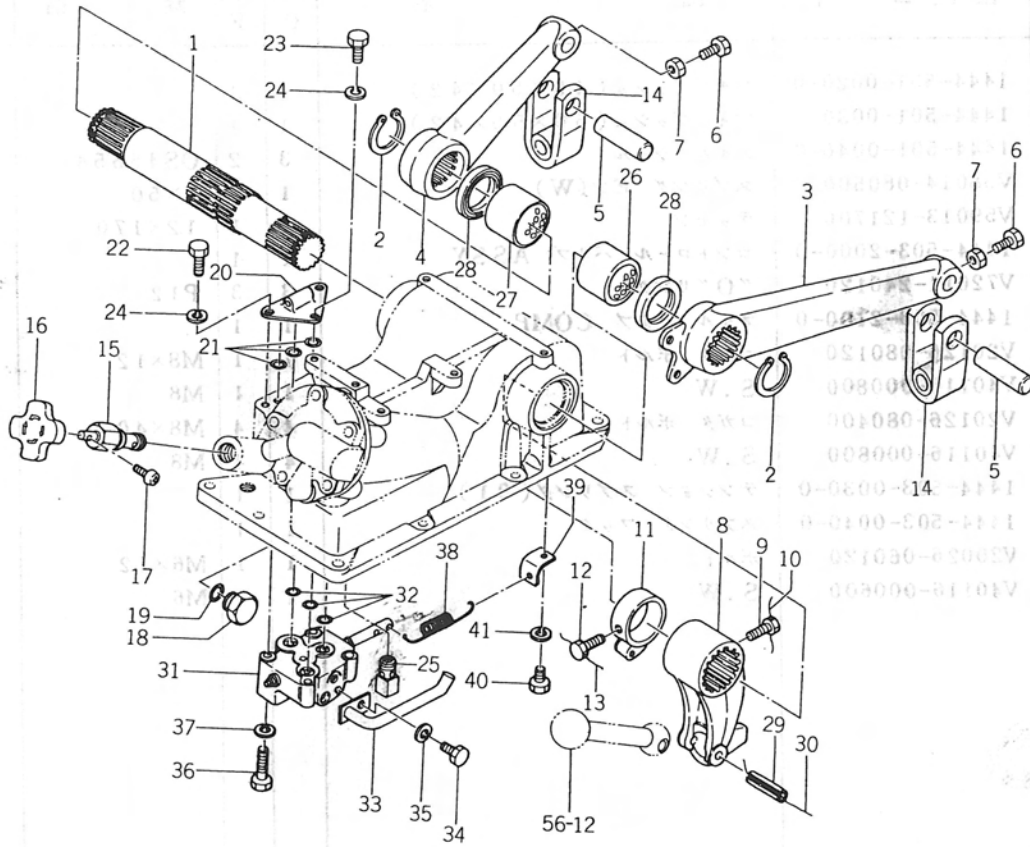


出番号	部品コード	品名	個数		規格	備考
			C	F		
8-1	1444-505-0010-0	ポジション シャフト				
8-2	1444-505-2000-0	ポジション シャフト(A) COMP	1	1		
3-3	V58014-040180	スプリング ピン(W)	1	1		
3-4	V59013-090700	テッセン	1	1	4×18	
8-5	1444-505-2100-0	スプール リンク COMP	1	1	0.9×70	
7-6	1434-503-0020-0	ピン(5×17)	1	1		
1-7	V41316-000500	ナミマル ザガネ	1	1		
8-8	V50015-200150	ワリ ピン	1	1	M5	
8-9	1444-505-2200-0	フィード バック アーム COMP	1	1	2×15	
-10	V71014-000900	Eガタ トメワ	1	1		
8-11	1444-505-0020-0	アーム(D)	1	1	9	
8-12	V71014-000400	Eガタ トメワ	1	1		
-13	1421-507-0070-0	ストップ	2	2	4	
-14	V20126-080160	コガタ ボルト	1	1		
3-15	V40116-000800	S.W	1	1	M8×16	
-16	1444-505-2300-0	ポジション アーム(B) COMP	1	1	M8	
-17	V58014-040250	スプリング ピン(W)	1	1		
-18	V59013-091000	テッセン	1	1	4×25	
-19	1444-505-0030-0	テンション スプリング(45)	1	1	0.9×100	
-20	1444-506-2000-0	レバー ガイド COMP	1	1		
-21	V20126-081150	コガタ ボルト	1	1		
-22	V40116-000800	S.W	2	2	M8×115	
-23	1444-506-2100-0	ポジション レバー COMP	2	2	M8	
-24	1432-242-0040-0	グリップ(B)	1	1		
-25	1421-507-0130-0	ライニング	1	1		
			2	2		



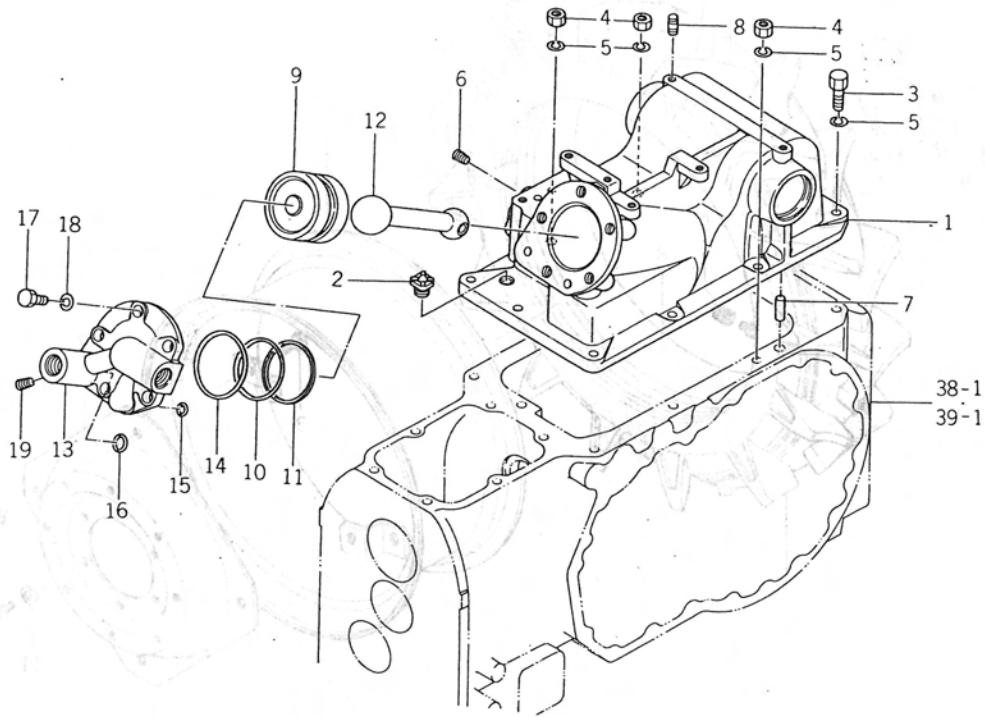
見出番号	部品コード	品名	個数		規格	備考
			C	F		
57-26	1444-501-0020-0	マキ ブッシュ(45×50×42)	1	1		
57-27	1444-501-0030-0	マキ ブッシュ(50×55×42)	1	1		
57-28	1444-501-0040-0	オイル シール	3	2	OS45554	
57-29	V58014-080500	スプリング ピン(W)	1	1	8×50	
57-30	V59013-121700	テッセン	1	1	12×170	
57-31	1444-503-2000-0	コントロールバルブ ASSY	1	1		
57-32	V72011-240120	"O"リング	3	3	P12	
57-33	1444-503-2100-0	オイルパイプ COMP	1	1		
57-34	V20126-080120	コガタ ボルト	1	1	M8×12	
57-35	V40116-000800	S.W	1	1	M8	
57-36	V20126-080400	コガタ ボルト	4	4	M8×40	
57-37	V40116-000800	S.W	4	4	M8	
57-38	1444-503-0030-0	テンション スプリング(91)	1	1		
57-39	1444-503-0040-0	スプリング フック	1	1		
57-40	V20026-060120	ボルト	1	1	M6×12	
57-41	V40116-000600	S.W	1	1	M6	

# No.57 リフトアーム関係



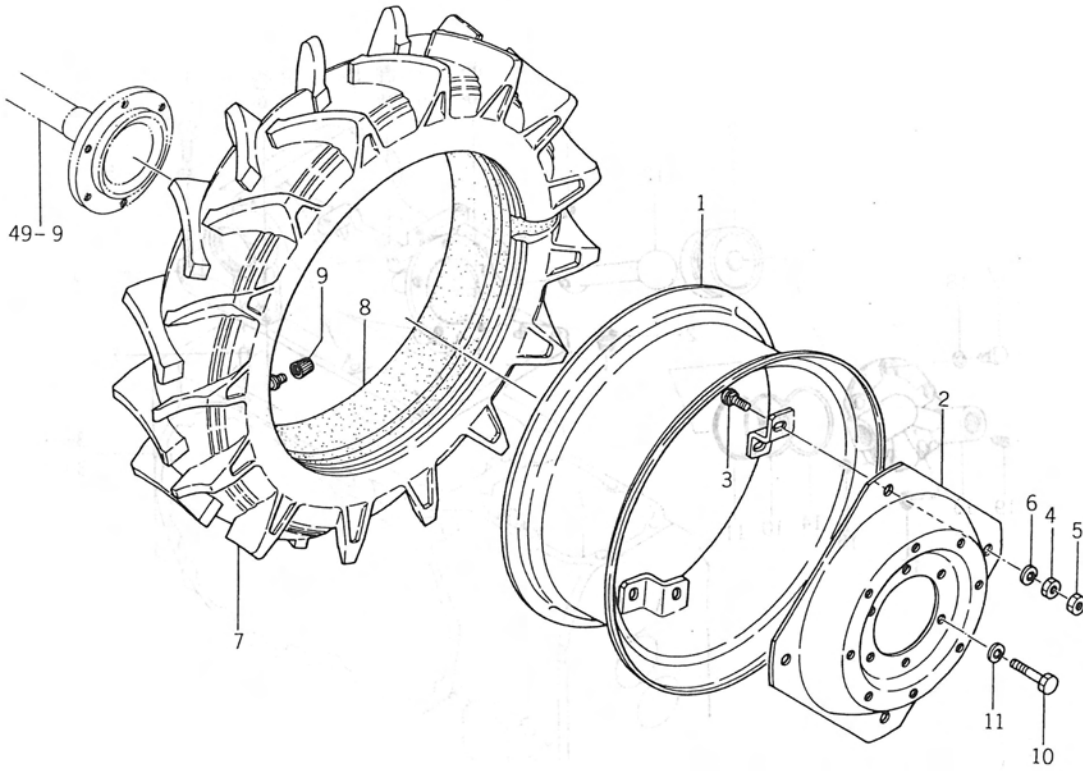
出番号	部品コード	品名	個数		規格	備考
			C	F		
57-1	1444-502-0010-0	リフト シャフト	1	1		
7-2	V70414-004500	Cガタ トメワ(ジク)	1	1		
7-3	1444-502-2000-0	リフト アーム(L) COMP	2	2	45	
57-4	1444-502-2010-0	リフト アーム	1	1		
7-5	1444-502-0020-0	リフト アーム ピン	1	1		
7-6	1404-502-0130-0	コガタ ロクカク ボルト	2	2		
7-7	V30226-000800	ナット	2	2	M8×25	
7-8	1444-502-0030-0	リフト クランク	2	2	M8 (3種)	
7-9	1403-209-0060-0	コガタ ボルト	1	1		
7-10	V59013-122800	テッセン	1	1	M8×20	
7-11	1444-502-2100-0	ポジション ボス COMP	1	1	1.2×280	
7-12	1415-216-0060-0	コガタ ロクカク ボルト	1	1		
7-13	V59013-122500	テッセン	1	1	M8×16	
7-14	1444-502-2200-0	リフト ブラケット フォーク COMP	1	1	1.2×250	
7-15	1444-503-2200-0	スロー リターン チェック ベン ASSY	2	2		
7-16	1421-507-0180-0	アジャスト ハンドル	1	1		
7-17	V11116-400160	プラス ナベ コネジ	1	1		
7-18	1444-503-0060-0	メクラ プラグ(M22)	1	1	M4×16	
7-19	V72011-240200	"O"リング	1	1		
7-20	1416-505-0030-0	サブコン カバー	1	1	P20	
7-21	V72011-240140	"O"リング	1	1		
7-22	V20126-080200	コガタ ボルト	3	3	P14	
7-23	V20126-080250	コガタ ボルト	2	2	M8×20	
7-24	V40116-000800	S.W	1	1	M8×25	
7-25	1444-503-2300-0	セフティー バルブ ASSY	3	3	M8	
			1	1		

# No.56 シリンダケース関係



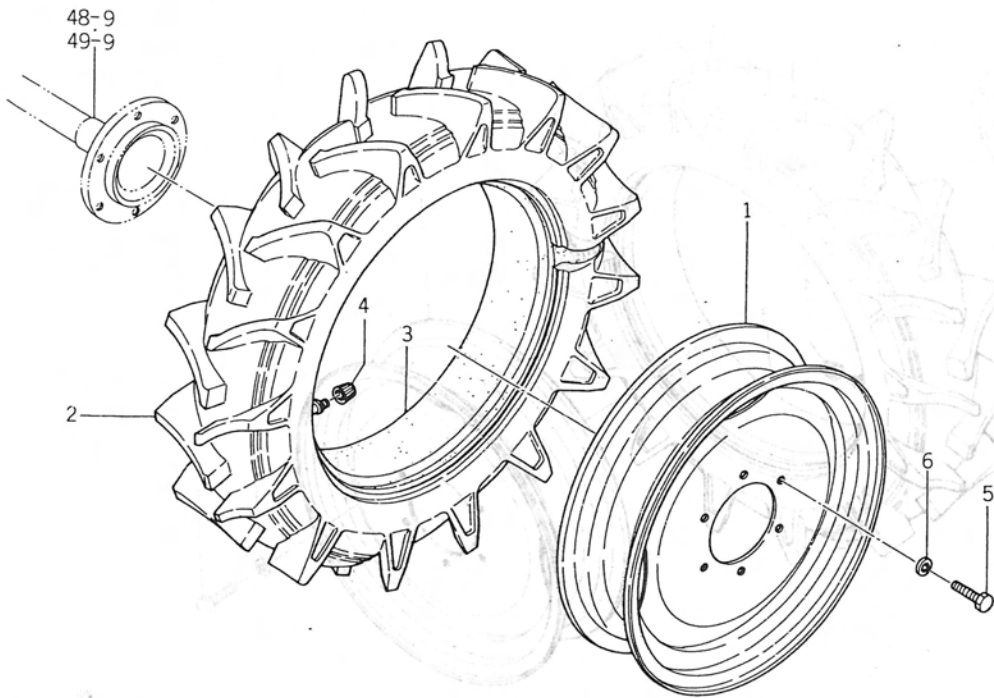
見出番号	部品コード	品名	個数		規格	備考
			C	F		
56-1	1444-050-2000-0	シリンダ ケース SET	1	1		57-26.27含む
56-2	1444-412-0010-0	ブリーザ プラグ	1	1	PT3/8	
56-3	V20146-100300	コガタ ボルト	7	7	M10×30(9T)	
56-4	V30046-001000	ナット	3	3	M10 (7T)	
56-5	V40116-001000	S.W	10	10	M10	
56-6	V78010-000020	シズミ プラグ	1	1	PT1/8	
56-7	V52010-100280	ヘイコウ ビン(A)	2	2		
56-8	V25136-080200	ウエコミ ボルト	2	2	M8×20 (2種)	
56-9	1444-503-0010-0	ピストン	1	1		
56-10	V72011-570650	"O"リング	1	1	P65	
56-11	1415-505-0060-0	バック アップ リング	1	1	P65	
56-12	1444-503-0020-0	ロッド	1	1		
56-13	1444-503-0050-0	シリンダ ヘッド	1	1		
56-14	V72111-310700	"O"リング	1	1	G70	
56-15	V72011-240120	"O"リング	1	1	P12	
56-16	V72011-240200	"O"リング	1	1	P20	
56-17	V20146-120320	コガタ ボルト	5	5	M12×32(9T)	
56-18	V40116-001200	S.W	5	5	M12	
56-19	V78010-000020	シズミ プラグ	1	1	PT1/8	

# No.55 リヤホイール関係



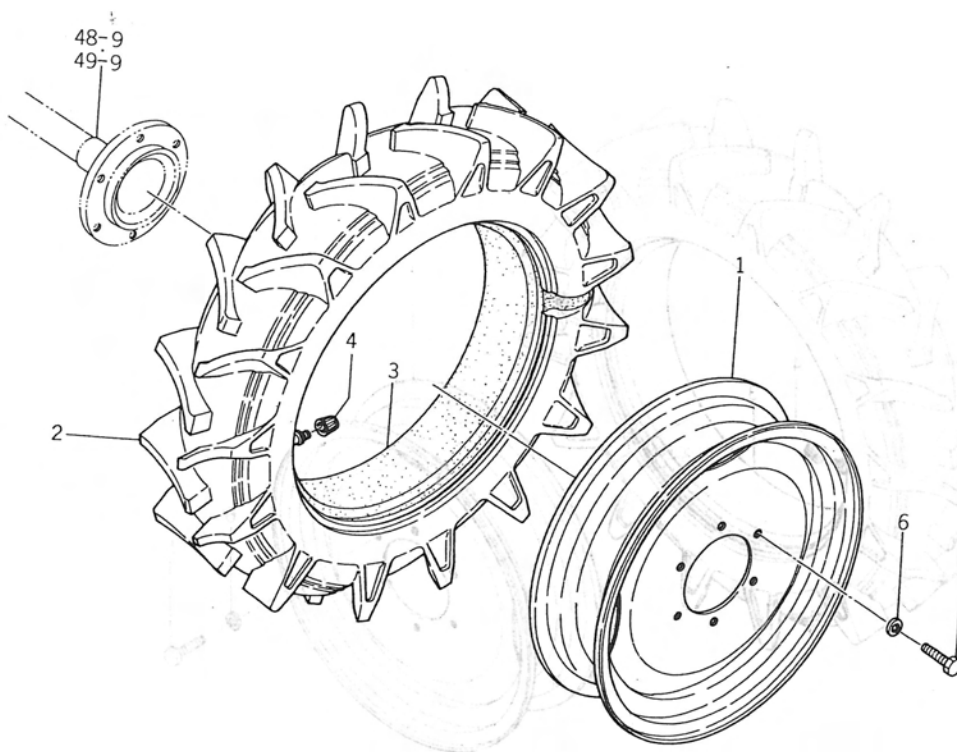
引出番号	部品コード	品名	個数		規格	備考
			C	F		
55-1	1447-331-2200-1	W10-24 ホイル リム COMP	2	2		
55-2	1404-317-0050-2	リヤホイール ディスク	2	2		
55-3	V24046-160850	カクネマル アタマ ボルト	8	8	M16×85 9T	
55-4	V30046-001600	ナット	8	8	M16 7T	
55-5	V30246-001600	ナット	8	8	M16 3種 7T	
55-6	V40116-001600	S.W	8	8	M16	
55-7	1447-331-2110-0	タイヤ	2	2	11-24	
55-8	V88900-011240	チューブ	2	2	JISD4212A形	
55-9	V99930-000100	タイヤバルブキャップ	2	2	M16×30 9T	
55-10	V20146-160300	コガタボルト	12	12	M16	
55-11	V40116-001600	S.W	12	12		

# No.54 リヤホイール関係



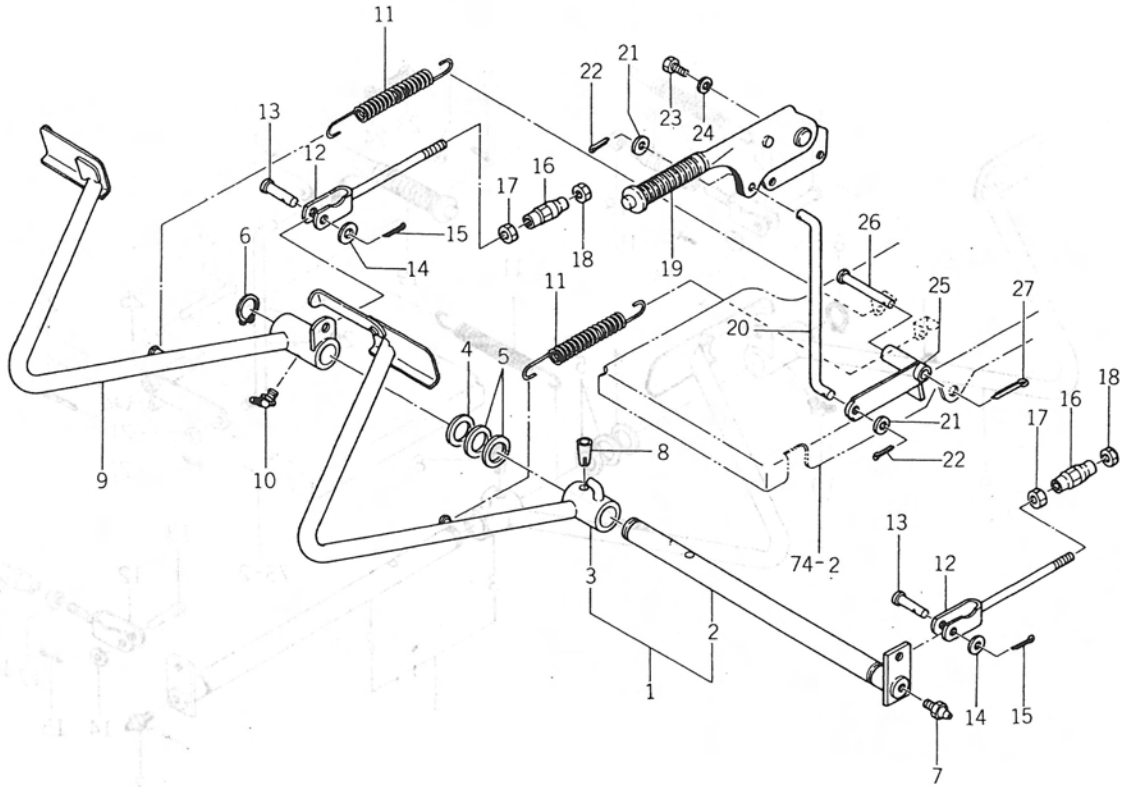
見出番号	部品コード	品名	個数		規格	備考
			C	F		
54-1	1444-331-2200-1	W7-24 ホイル リム COMP	2	2		
54-2	1446-331-2110-0	タイヤ	2	2	9.5-24-4PLY	
54-3	V88900-009240	チューブ	2	2	9-24	
54-4	V99930-000100	タイヤバルブキャップ	2	2	JISD4212 A形	
54-5	V20146-160300	コガタボルト	12	12	M16×30(9T)	
54-6	V40116-001600	S.W	12	12	M16	

# No.53 リヤホイール関係



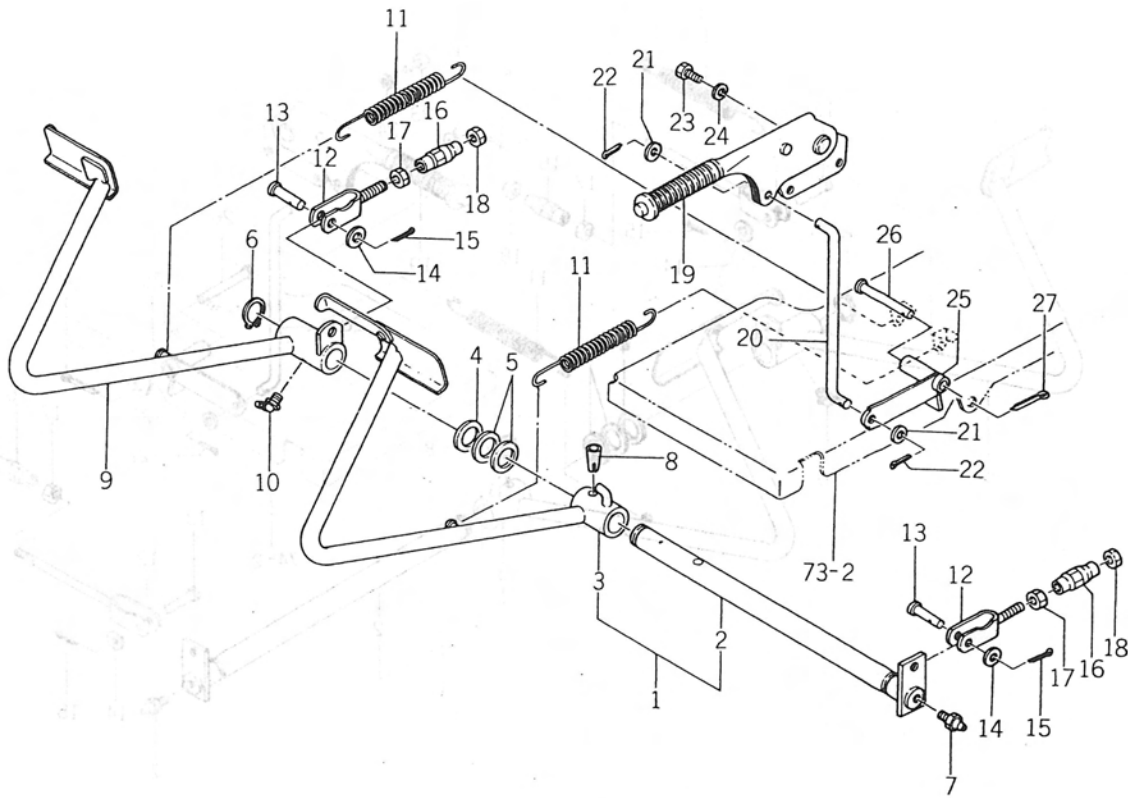
見出番号	部品コード	品名	個数		規格	備考
			C	F		
53-1	1445-331-2200-1	W7-22 ホイル リム COMP	2	2		
3-2	1445-331-2110-0	タイヤ	2	2	9.5-22-4PLY	
3-3	V88900-008240	チューブ	2	2	9-22	
53-4	V99930-000100	タイヤバルブキャップ	2	2	JISD4212A形	
3-5	V20146-160300	コガタボルト	12	12	M16×30(9T)	
3-6	V40116-001600	S.W	12	12	M16	

# No.52 ブレーキペダル関係



見出番号	部品コード	品名	個数		規格	備考
			C	F		
52-1	1444-328-2000-0	ブレーキ シャフト SET	1	1		△
52-2		•ブレーキ シャフト COMP	1	1		△
52-3		•ブレーキ ペダル(L) COMP	1	1		△
52-4	1421-312-0020-0	ワッシャ(26×36×1)	AR	AR		
52-5	1444-328-0010-0	ワッシャ(26×46×3)	2	2		
52-6	V70414-002500	Cガタ トメワ(ジク)	1	1	25	
52-7	1432-403-2260-0	グリス ニップル	1	1	A-M6F P=1.0	
52-8	V51110-080500	サキワリ テーパ ピン	1	1	8×50	
52-9	1444-328-2300-0	ブレーキ ペダル(R) COMP	1	1		
52-10	V76340-000000	グリス ニップル	1	1	B-PT1/8	
52-11	1403-312-0030-0	パーキング ブレーキ スプリング	2	2		
52-12	1446-328-2000-0	フタマタ COMP	2	2		
52-13	1444-328-0020-0	ピン(8×37)	2	2		
52-14	V41316-000800	ナミマル ザガネ	2	2	M8	
52-15	V50015-200180	ワリ ピン	2	2	2×18	
52-16	1444-122-0030-0	ターン バックル(M8)	2	2		
52-17	V30226-000800	ナット	2	2	M8 (3種)	
52-18	1401-122-0050-0	ロック ナット(ヒダリ ネジ)	2	2	M8 (3種)	
52-19	1432-313-2000-0	パーキング ブレーキ ASSY	1	1		
52-20	1444-328-0030-0	パーキング ロッド	1	1		
52-21	V41316-000800	ナミマル ザガネ	2	2	M8	
52-22	V50015-200180	ワリ ピン	2	2	2×18	
52-23	V20126-080200	コガタ ボルト	2	2	M8×20	
52-24	V40116-000800	S.W	2	2	M8	
52-25	1444-328-2500-0	パーキング アーム COMP	1	1		
52-26	1444-328-0040-0	ピン(10×71)	1	1		
52-27	V50015-200180	ワリ ピン	1	1	2×18	

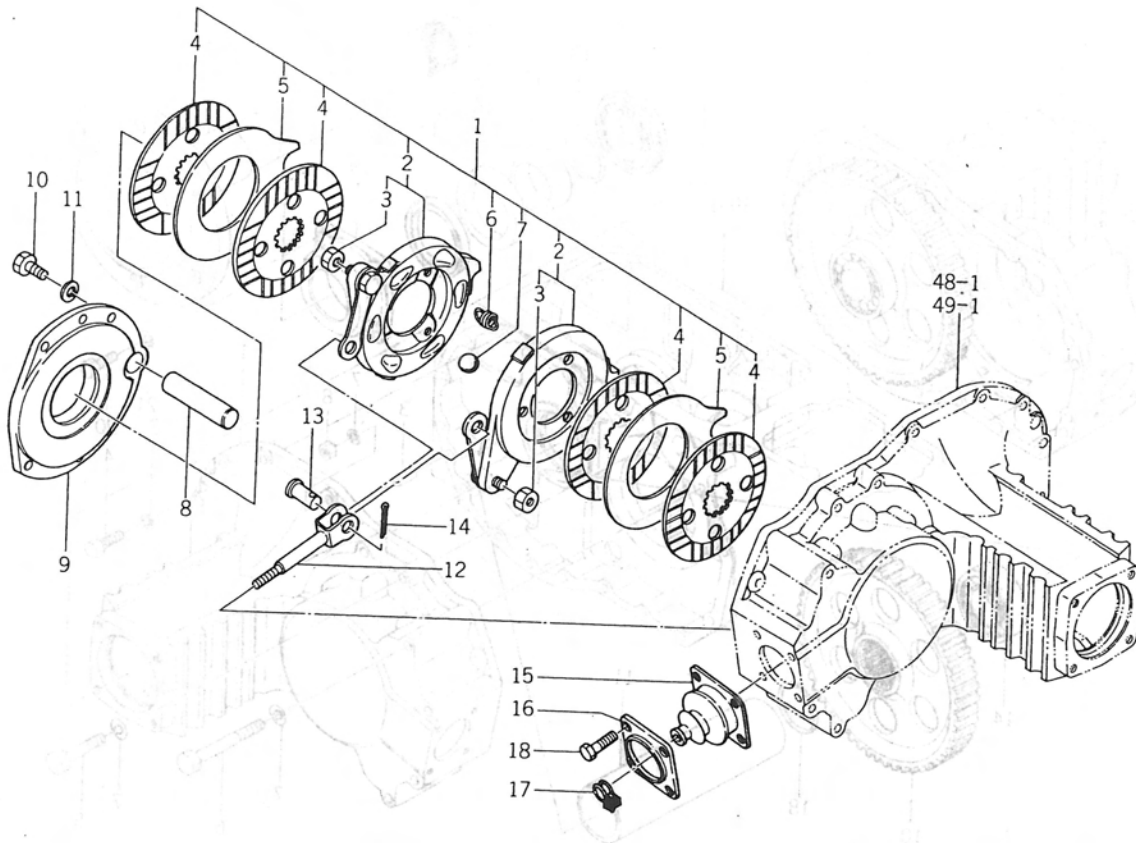
# No.51 ブレーキペダル関係



見出番号	部品コード	品名	個数		規格	備考
			C	F		
51-1	1444-328-2000-0	ブレーキ シャフト SET	1	1		
51-2		•ブレーキ シャフト COMP	1	1		
51-3		•ブレーキ ペダル(L)COMP	1	1		△
51-4	1421-312-0020-0	ワッシャ(26×36×1)	AR	AR		△
51-5	1444-328-0010-0	ワッシャ(26×46×3)	2	2		
51-6	V70414-002500	Cガタ トメワ(ジク)	1	1	25	
51-7	1432-403-2260-0	グリス ニップル	1	1	A-M6F P=10	
51-8	V51110-080500	サキワリ テーパ ピン	1	1	8×50	
51-9	1444-328-2300-0	ブレーキ ペダル(R)COMP	1	1		
51-10	V76340-000000	グリス ニップル	1	1	B-PT1/8	
51-11	1403-312-0030-0	パーキング ブレーキ スプリング	2	2		
51-12	1444-328-2400-0	フタマタ COMP	2	2		
51-13	1444-328-0020-0	ピン(8×37)	2	2		
51-14	V41316-000800	ナミマル ザガネ	2	2	M8	
51-15	V50015-200180	ワリ ピン	2	2	2×18	
51-16	1444-122-0030-0	ターン バックル(M8)	2	2		
51-17	V30226-000800	ナット	2	2	M8 (3種)	
51-18	1401-122-0050-0	ロック ナット(ヒダリ ネジ)	2	2	M8 (3種)	
51-19	1432-313-2000-0	パーキング ブレーキ ASSY	1	1		
51-20	1444-328-0030-0	パーキング ロッド	1	1		
51-21	V41316-000800	ナミマル ザガネ	2	2	M8	
51-22	V50015-200180	ワリ ピン	2	2	2×18	
51-23	V20126-080200	コガタ ボルト	2	2	M8×20	
51-24	V40116-000800	S.W	2	2	M8	
51-25	1444-328-2500-0	パーキング アーム COMP	1	1		
51-26	1444-328-0040-0	ピン(10×71)	1	1		
51-27	V50015-200180	ワリ ピン	1	1	2×18	

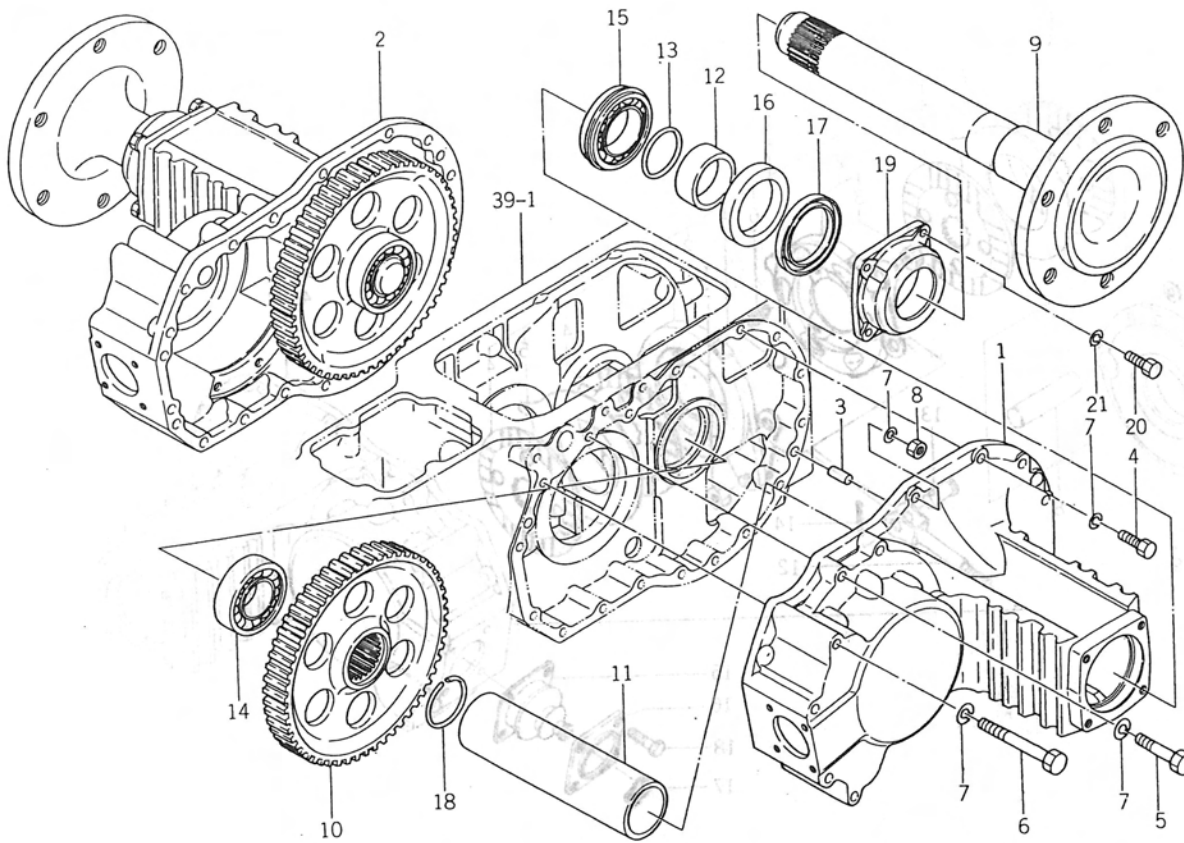


# No.50 ブレーキ関係



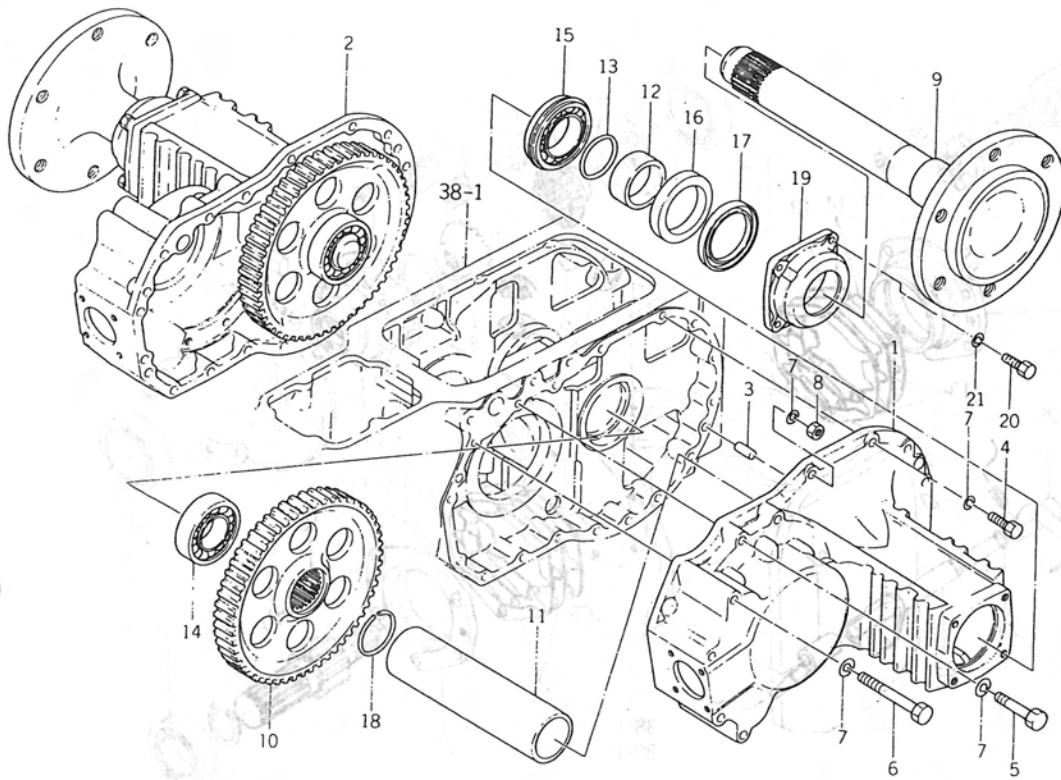
見出番号	部品コード	品名	個数		規格	備考
			C	F		
50-1	1444-327-2000-0	ディスク ブレーキ ASSY	2	2		
50-2	1444-327-2100-0	●アクチュエータ COMP	4	4		
50-3	V30226-001000	●ナット	4	4	M10 (3種)	
50-4	1444-327-2010-0	●ディスク プレート	8	8		
50-5	1444-327-2020-0	●セパレータ プレート	4	4		
50-6	1444-327-2030-0	●リターン スプリング	6	6		
50-7	V68020-000240	●スチール ボール	12	12	3/4"	
50-8	1444-327-0010-0	トルク ピン	2	2		
50-9	1444-327-0020-0	ブレーキ メタル	2	2		
50-10	V20146-100250	コガタ ボルト	12	12	M10×25 (9T)	
50-11	V40116-001000	S.W	12	12	M10	
50-12	1444-327-2200-0	ブレーキ ロッド COMP	2	2		
50-13	1444-327-0030-0	ピン (15×30)	2	2		
50-14	V50015-300200	ワリ ピン	2	2	3×20	
50-15	1444-327-0040-0	ブーツ	2	2		
50-16	1444-327-0050-0	プレッシャ プレート	2	2		
50-17	1417-102-0050-0	ホース バンド	2	2		
50-18	V20126-080160	コガタ ボルト	8	8	M8×16	

# No.49 リヤアクスルハウジング関係



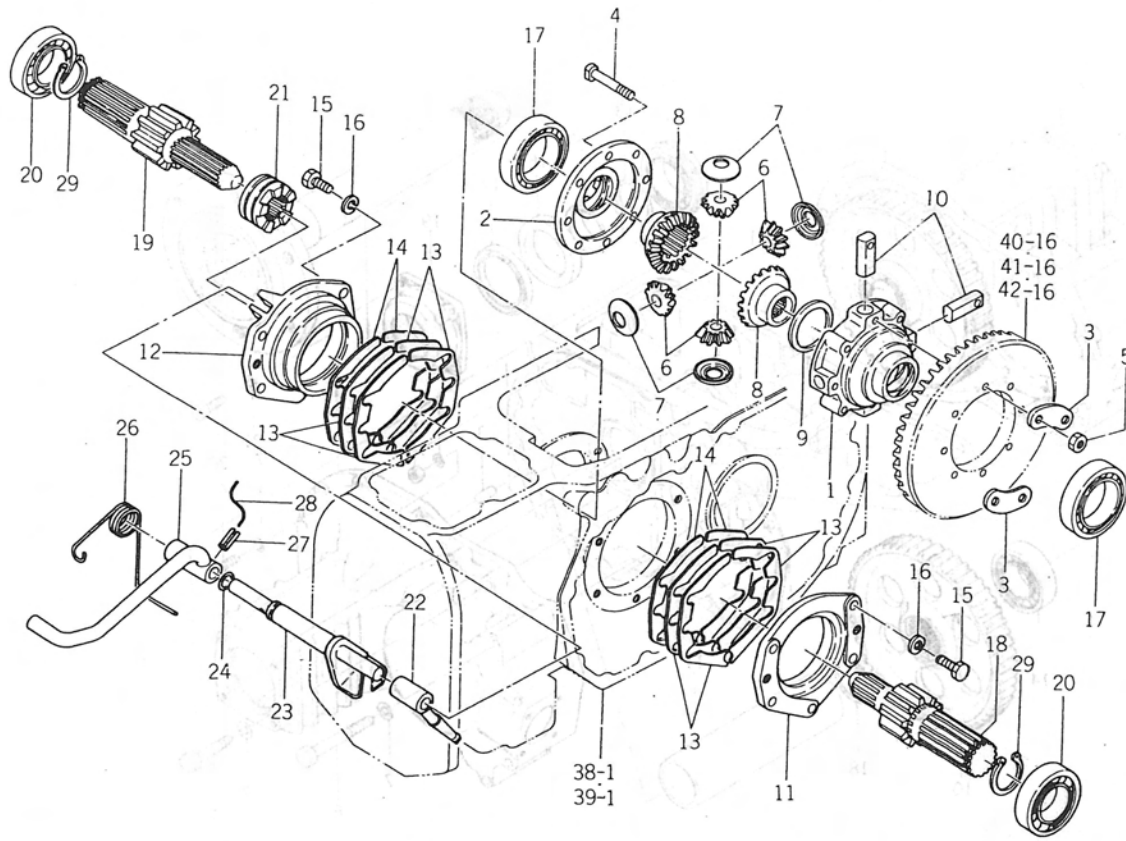
見出番号	部品コード	品名	個数		規格	備考
			C	F		
49-1	1444-321-0010-0	リヤ アクスル ハウジング(L)	1	1		
49-2	1444-321-0020-0	リヤ アクスル ハウジング(R)	1	1		
49-3	V52010-100220	ヘイコウ ピン(A)	4	4	10×22	
49-4	V20146-100300	コガタ ボルト	16	16	M10×30(9T)	
49-5	V20146-100500	コガタ ボルト	8	8	M10×50(9T)	
49-6	V20146-101100	コガタ ボルト	8	8	M10×110(9T)	
49-7	V40116-001000	S.W	34	34	M10	
49-8	V30046-001000	ナット	2	2	M10(7T)	
49-9	1446-324-0010-0	ホイール シャフト	2	2		
49-10	1444-324-0020-0	ホイール ギヤ-(55)	2	2		
49-11	1444-324-0030-0	カラー-(56×65×240)	2	2		
49-12	1444-324-0040-0	シール ブッシュ	2	2		
49-13	V72110-310550	"O"リング	2	2	G55	
49-14	V60011-062090	R.B.B	2	2	6209	
49-15	V60011-060110	R.B.B	2	2	6011NR	
49-16	V74416-890120	オイル シール	2	2	AE345SAO (TC689012)	
49-17	V74216-890070	オイル シール	2	2	AG6761AO (VC68907)	
49-18	1444-324-0050-0	ストップ リング	2	2		
49-19	1444-324-0060-0	アクスル シール メタル	2	2		
49-20	V20126-080200	コガタ ボルト	8	8	M8×20	
49-21	V40116-000800	S.W	8	8	M8	

# No.48 リヤアクスルハウジング関係



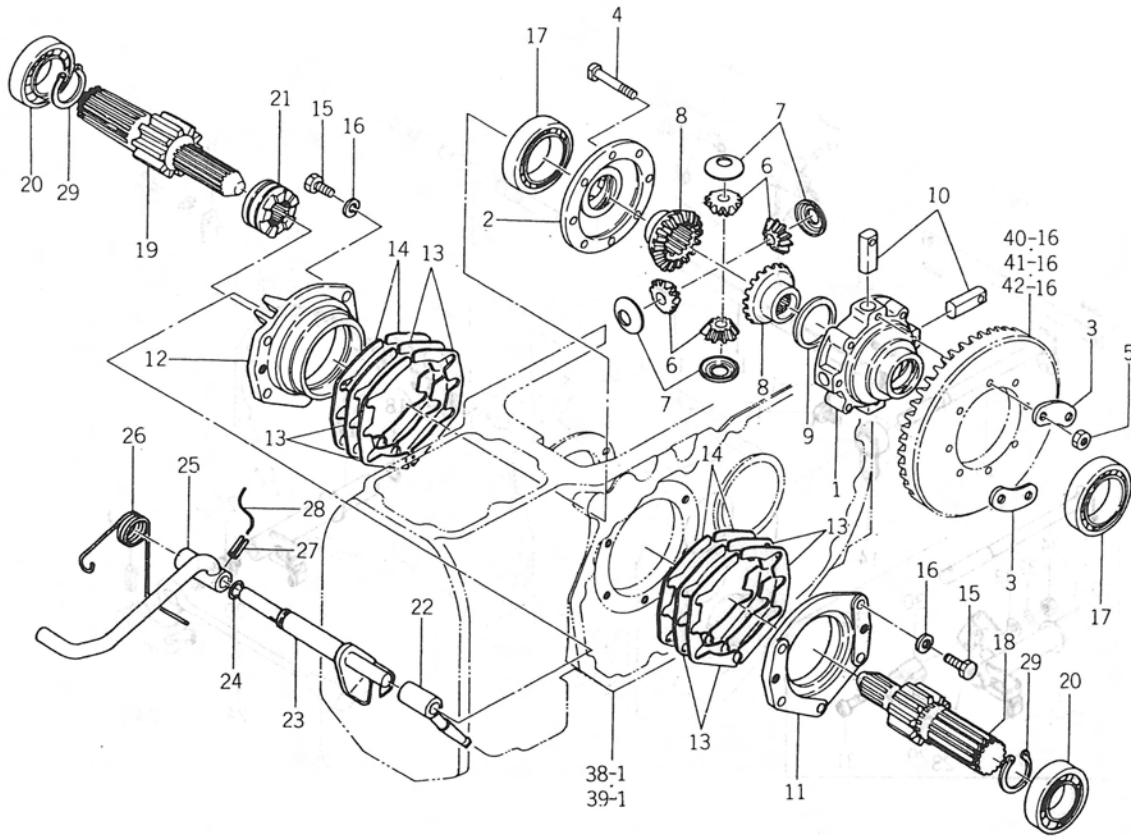
出番号	部品コード	品名	個数		規格	備考
			C	F		
3-1	1444-321-0010-0	リヤ アクスル ハウジング(L)	1	1		
3-2	1444-321-0020-0	リヤ アクスル ハウジング(R)	1	1		
3-3	V52010-100220	ヘイコウ ピン(A)	4	4	10×22	
3-4	V20146-100300	コガタ ボルト	16	16	M10×30(9T)	
3-5	V20146-100500	コガタ ボルト	8	8	M10×50(9T)	
3-6	V20146-101100	コガタ ボルト	8	8	M10×110(9T)	
3-7	V40116-001000	S.W	34	34	M10	
3-8	V30046-001000	ナット	2	2	M10 (7T)	
3-9	1444-324-0010-0	ホイール シャフト	2	2		
3-10	1444-324-0020-0	ホイール ギヤ-(55)	2	2		
3-11	1444-324-0030-0	カラ-(56×65×240)	2	2		
3-12	1444-324-0040-0	シール ブッシュ	2	2		
3-13	V72110-310550	"O"リング	2	2	G55	
3-14	V60011-062090	R.B.B	2	2	6209	
3-15	V60011-060110	R.B.B	2	2	6011NR	
3-16	V74416-890120	オイル シール	2	2	AE345SAO	
3-17	V74216-890070	オイル シール	2	2	(TC689012)	
3-18	1444-324-0050-0	ストップ リング	2	2	AG6761AC	
3-19	1444-324-0060-0	アクスル シール メタル	2	2	(VC68907)	
3-20	V20126-080200	コガタ ボルト	8	8	M8×20	
3-21	V40116-000800	S.W	8	8	M8	

# No.47 デフケース関係



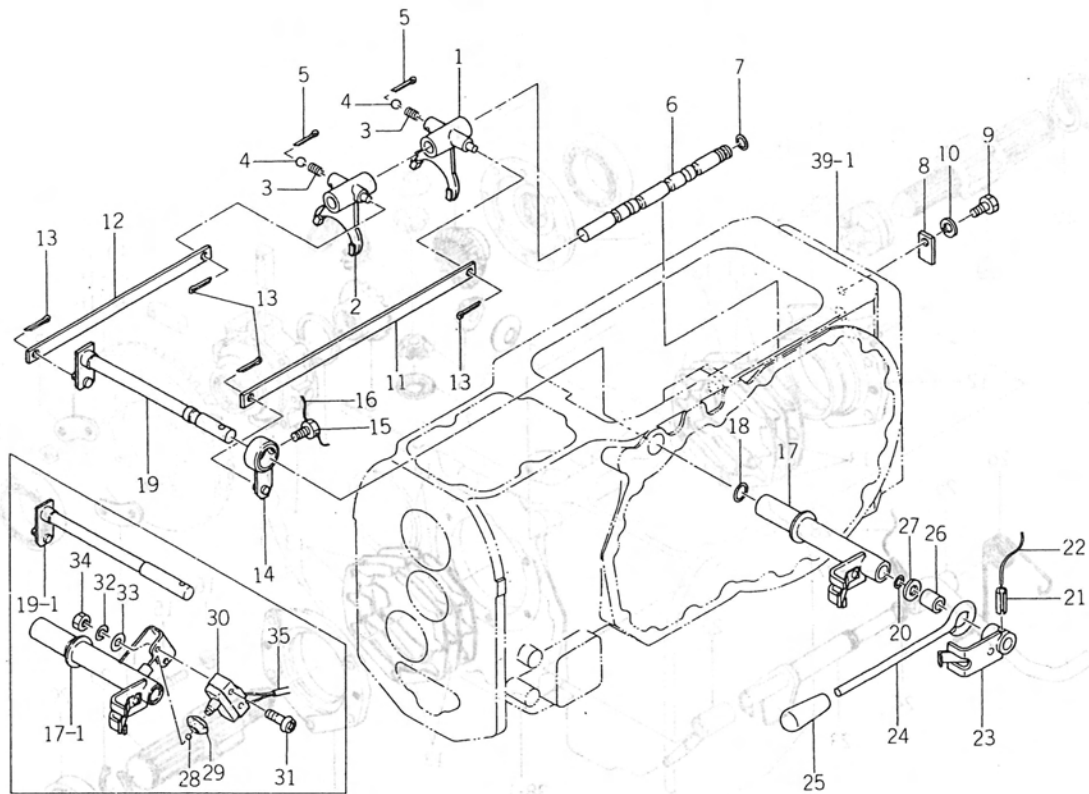
出番号	部品コード	品名	個数		規格	備考
			C	F		
47-26	1444-319-0030-0	トルク スプリング(37)	1	1		
47-27	V58014-060250	スプリング ピン(W)	1	1		
47-28	V59013-090900	テッセン	1	1	6×25	
47-29	V70414-004000	Cガタ トメワ(ジク)	1	1	0.9×90	
			2	2	40	

# No.47 デフケース関係



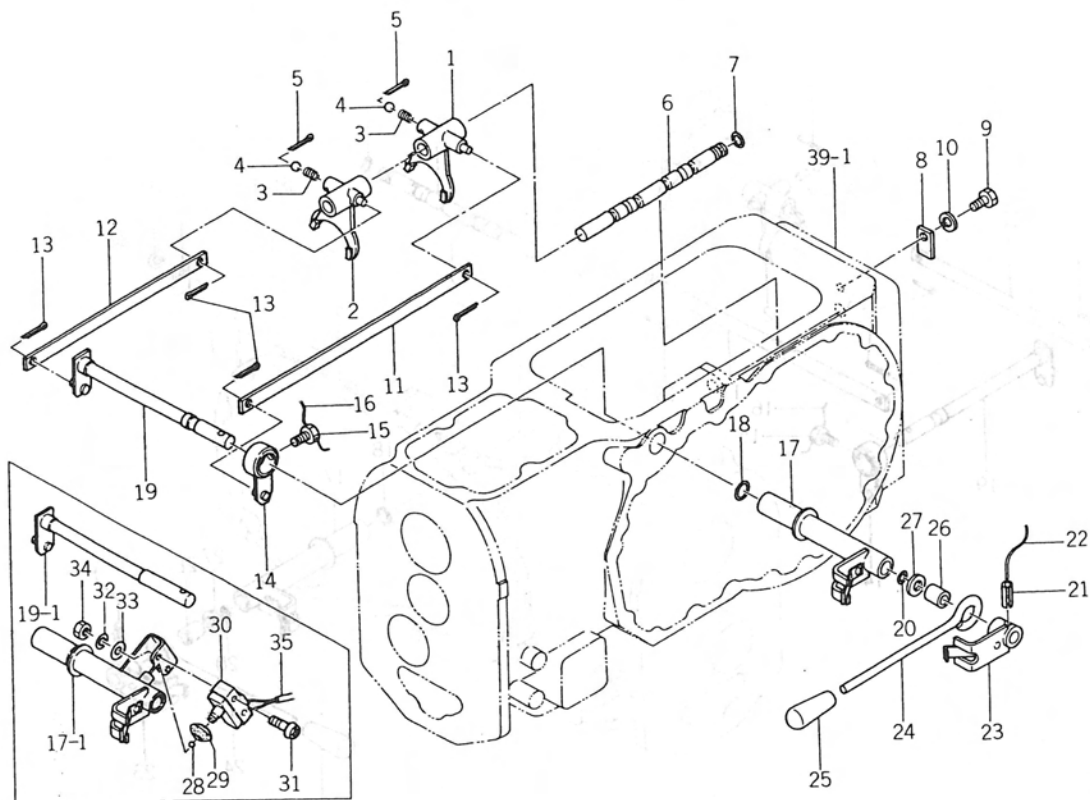
見出番号	部品コード	品名	個数		規格	備考
			C	F		
47-1	1444-318-0010-0	デフ ケース(L)	1	1		
47-2	1444-318-0020-0	デフ ケース(R)	1	1		
47-3	1444-318-0030-0	ロック プレート	4	4		
47-4	1404-301-0100-0	デフ ボルト	8	8		
47-5	V30346-000800	コガタ ナット	8	8	M8(7T)	
47-6	1444-318-0040-0	デフ ビニオン(12)	4	4		
47-7	1444-318-0050-0	ビニオン スラスト カラー	4	4		
47-8	1444-318-0060-0	ベベル ギヤ(20)	2	2		
47-9	1421-301-0120-0	スラスト カラー	1	1		
47-10	1444-318-0070-0	デフ ビニオン シャフト	4	4		
47-11	1444-318-0080-0	デフ ケース メタル(L)	1	1		
47-12	1444-318-0090-0	デフ ケース メタル(R)	1	1		
47-13	1444-318-0110-0	シム(A)	8	8		
47-14	1444-318-0120-0	シム(B)	AR	AR		
47-15	V20146-100250	コガタ ボルト	10	10	M10×25(9T)	
47-16	V40116-001000	S.W	10	10	M10	
47-17	V60011-060110-0	R.B.B	2	2	6011	
47-18	1444-323-0010-0	ホイール ビニオン(10) (L)	1	1		
47-19	1444-323-0020-0	ホイール ビニオン(10) (R)	1	1		
47-20	1444-323-0030-0	R.B.B	2	2		
47-21	1444-319-0010-0	デフ ロック クラッチ	1	1		
47-22	1444-319-0020-0	デフ ロック シフト	1	1		
47-23	1444-319-2000-0	デフ ロック カム COMP	1	1		
47-24	V72010-240160	"O"リング	1	1	P16	
47-25	1444-319-2100-0	デフ ロック ペダル COMP	1	1		

# No.46 P.T.O. チェンジレバー関係



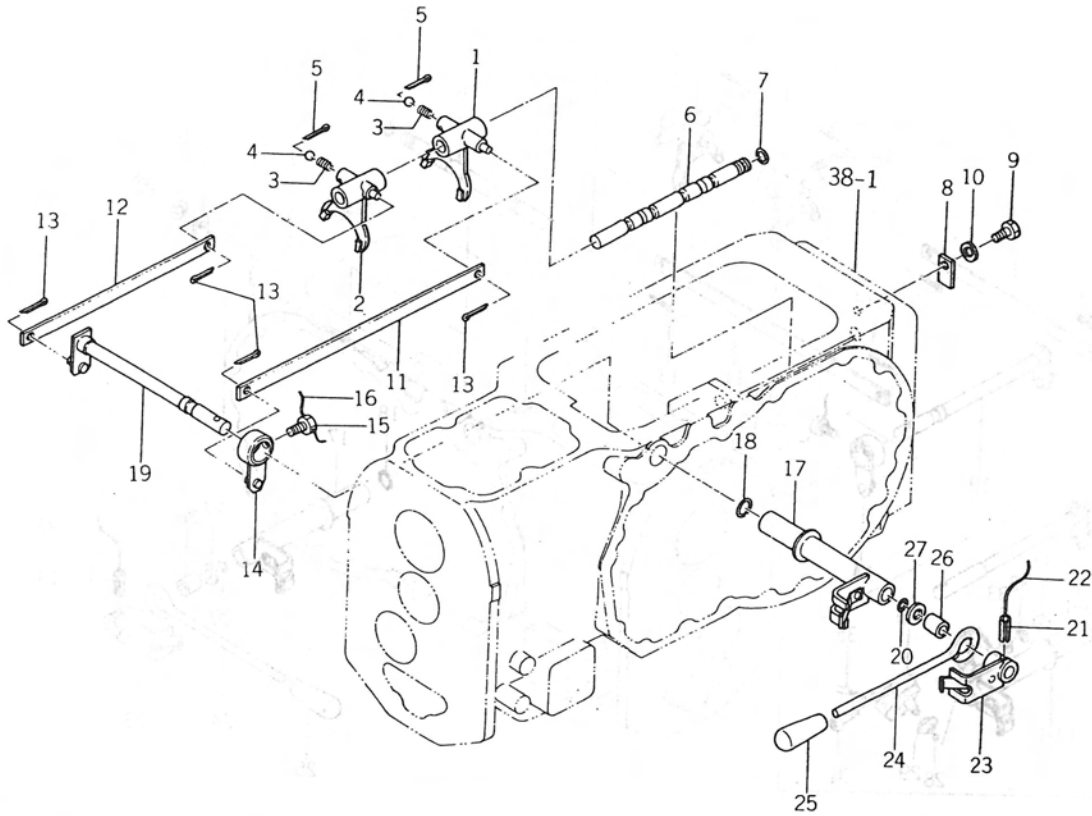
見出番号	部品コード	品名	個数		規格	備考
			C	F		
46-23	1444-315-2300-0	PTO シフト フォーク ハイ COMP	1	1		
46-24	1444-315-0070-0	PTO チェンジ レバー	1	1		
46-25	4106-105-3030-0	ロール テンカイジク ニギリ	1	1		
46-26	1444-315-0080-0	カラー (15×19×18)	1	1		
46-27	V41316-001400	ナミマル ザガネ	1	1	M14	
46-28	V68020-000100	スチール ボール	1	1		} G用
46-29	1446-316-0010	シール キャップ	1	1		
46-30	1446-622-2300-0	PTO チェンジ スイッチ ASSY	1	1		
46-31	V11116-400250	プラス ナベ コネジ	2	2	M4×25	
46-32	V40116-000400	S.W	2	2	M4	
46-33	V41316-000400	ナミマル ザガネ	2	2	M4	
46-34	V30026-000400	ナット	2	2	M4	
46-35	1446-622-0010-0	ワイヤ ハーネス 1/5	1	1		

No.46 P.T.O. チェンジレバー関係



見出番号	部品コード	品名	個数		規格	備考
			C	F		
46-1	1444-315-0010-0	PTO ローシフト	1	1		
46-2	1444-315-0020-0	PTO ハイシフト	1	1		
46-3	1302-225-0030-0	シフト スプリング	2	2		
46-4	V68020-000100	スチール ボール	2	2	5/16"	
46-5	V50015-300250	ワリ ピン	2	2	3×25	
46-6	1444-315-0030-0	PTO シフト ステ-	1	1		
46-7	V72010-240100	"O"リング	1	1	P10A	
46-8	1444-315-0040-0	ストッパ	1	1		
46-9	V20126-080160	コガタ ボルト	1	1	M8×16	
46-10	V40116-000800	S.W	1	1	M8	
46-11	1444-315-0050-0	PTO ローチェンジ バー	1	1		
46-12	1444-315-0060-0	PTO ハイチェンジ バー	1	1		
46-13	V50015-250180	ワリ ピン	4	4	2.5×18	
46-14	1444-315-2000-0	ローシフト アーム COMP	1	1		
46-15	1415-216-0060-0	コガタ ロックカク ボルト	1	1	M8×16	
46-16	V59013-091500	テッセン	1	1	0.9×150	
46-17	1444-315-2100-0	PTO シフト フォークロー COMP	1	1		C.F.H用
46-17-1	1446-316-2000-0	PTO シフト フォークロー COMP	1	1		G用
46-18	V72010-240210	"O"リング	1	1	P21	
46-19	1444-315-2200-0	ハイ シフト アーム COMP	1	1		C.F.H用
46-19-1	1446-316-2100-0	ハイ シフト アーム COMP	1	1		G用
46-20	V72010-240100	"O"リング	1	1	P10A	C.F.H用
46-20-1	V72010-240140	"O"リング	1	1	P14	G用
46-21	V58014-060280	スプリング ピン(W)	1	1	6×28	
46-22	V59013-090900	テッセン	1	1	0.9×90	

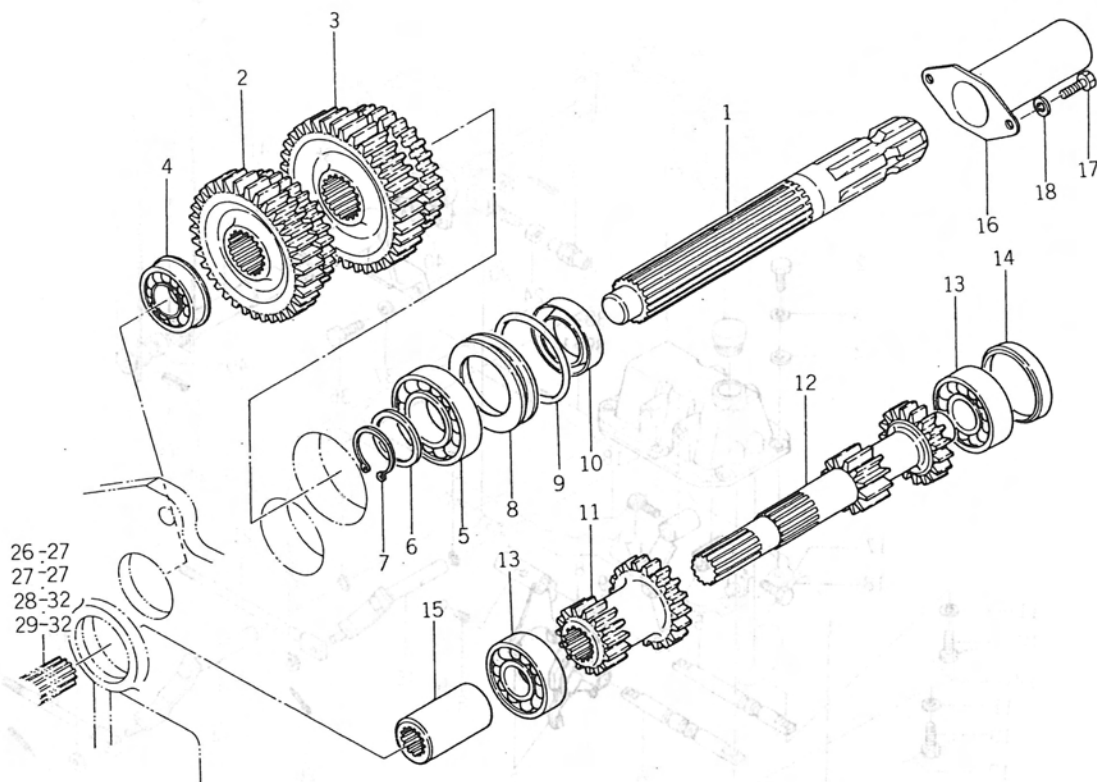
# No.45 P.T.O. チェンジレバー関係



見出番号	部品コード	品名	個数		規格	備考
			C	F		
45-1	1444-315-0010-0	PTO ローシフタ				
45-2	1444-315-0020-0	PTO ハイシフタ	1	1		
45-3	1302-225-0030-0	シフタ スプリング	1	1		
45-4	V68020-000100	スチール ボール	2	2		
45-5	V50015-300250	ワリ ピン	2	2	5/16"	
45-6	1444-315-0030-0	PTO シフタ ステ-	2	2	3×25	
45-7	V72010-240100	"O"リング	1	1		
45-8	1444-315-0040-0	ストッパ	1	1	P10A	
45-9	V20126-080160	コガタ ボルト	1	1		
45-10	V40116-000800	S.W	1	1	M8×16	
45-11	1444-315-0050-0	PTO ローチェンジ バー	1	1	M8	
45-12	1444-315-0060-0	PTO ハイチェンジ バー	1	1		
45-13	V50015-250180	ワリ ピン	1	1		
45-14	1444-315-2000-0	ローシフト アーム COMP	4	4	2.5×18	
45-15	1415-216-0060-0	コガタ ロックカク ボルト	1	1		
45-16	V59013-091500	テッセン	1	1	M8×16	
45-17	1444-315-2100-0	PTO シフト フォークロー COMP	1	1	0.9×150	
45-18	V72010-240210	"O"リング	1	1		
45-19	1444-315-2200-0	ハイシフト アーム COMP	1	1	P21	
45-20	V72010-240100	"O"リング	1	1		
45-21	V58014-060280	スプリング ピン(W)	1	1	P10A	
45-22	V59013-090900	テッセン	1	1	6×28	
45-23	1444-315-2300-0	PTO シフト フォークハイ COMP	1	1	0.9×90	
45-24	1444-315-0070-0	PTO チェンジ レバー	1	1		
45-25	4106-105-3030-0	ロール テンカイジク ニギリ	1	1		
45-26	1444-315-0080-0	カラ- (15×19×18)	1	1		
45-27	V41316-001400	ナミマル ザガネ	1	1	M14	

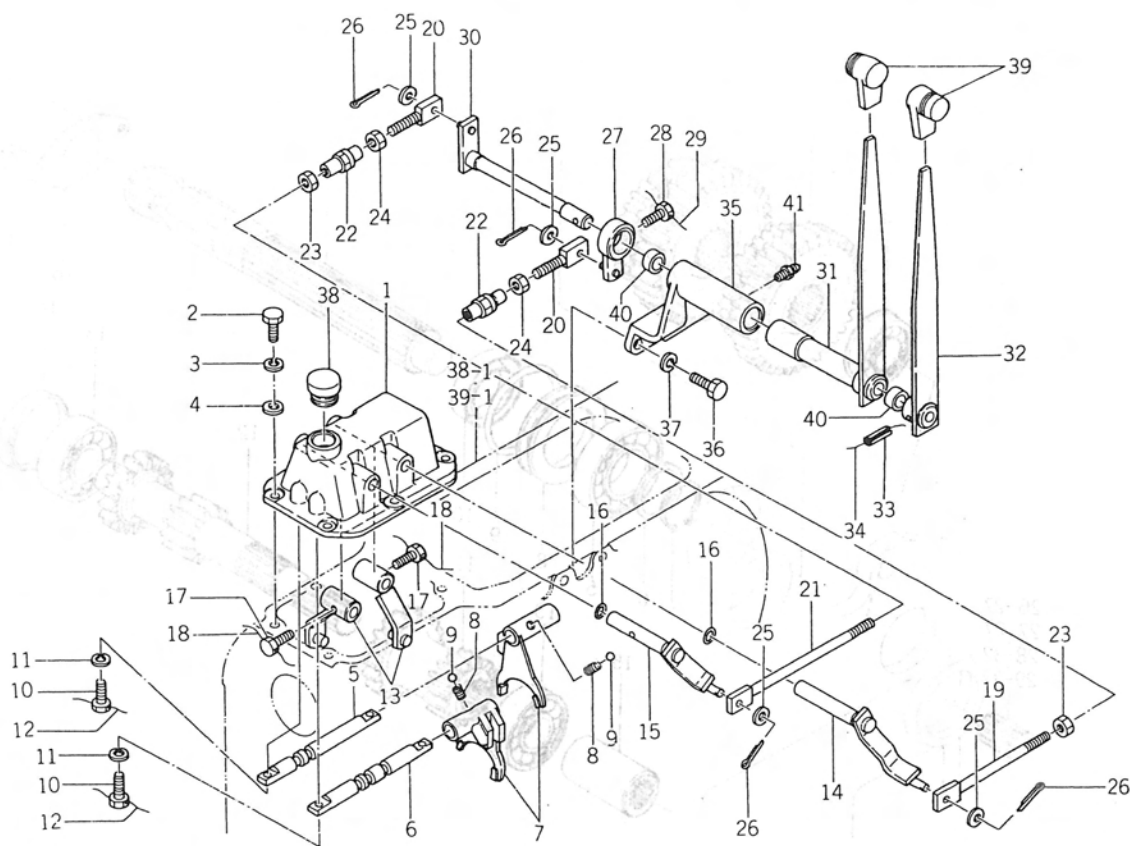


# No.44 P.T.O. シャフト関係



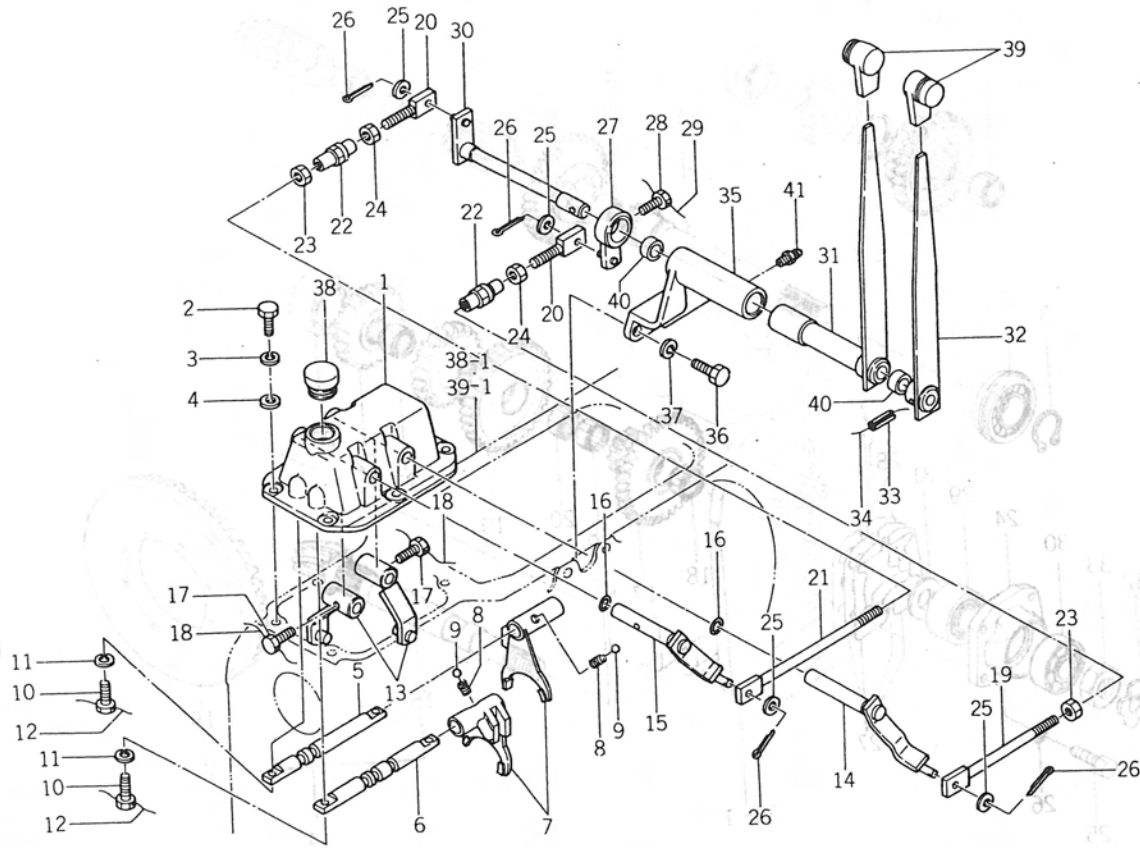
見出番号	部品コード	品名	個数		規格	備考
			C	F		
44-1	1444-314-0010-0	PTO シャフト	1	1		
44-2	1444-314-0020-0	チェンジ ギヤ-(35-28)	1	1		
44-3	1444-314-0030-0	チェンジ ギヤ-(37-32)	1	1		
44-4	V60711-062050	R.B.B	1	1	6205NR	
44-5	V60011-062070	R.B.B	1	1	6207	
44-6	1444-314-0040-0	カラ-(35×43×2)	1	1		
44-7	V70414-003500	Cガタ トメワ(ジク)	1	1	35	
44-8	1444-314-0050-0	シール メタル	1	1		
44-9	V72010-570620	"O"リング	1	1	P62	
44-10	V74413-555100	オイル シール	1	1	TC355510 (AE2084EO)	
44-11	1444-314-0060-0	カウンタ ギヤ-(15-21)	1	1		
44-12	1444-314-0070-0	カウンタ ギヤ-(12-17)	1	1		
44-13	V60011-063050	R.B.B	2	2	6305	
44-14	1444-314-0080-0	シール(62)	1	1		
44-15	1414-120-0060-0	カップ リング(36×62)	1	1		
44-16	1444-314-0090-0	PTO シャフト キャップ	1	1		
44-17	V20026-060120	ボルト	2	2	M6×12	
44-18	V40116-000600	S.W	2	2	M6	

# No.43 サブチェンジレバー関係



見出番号	部品コード	品名	個数		規格	備考
			C	F		
43-26	V50015-200180	ワリピン	4	4	2×18	
43-27	1444-307-2600-0	シフトアーム(B) COMP	1	1		
43-28	1415-216-0060-0	コガタボルト	1	1	M8×16	
43-29	V59013-091500	テッセン	1	1	0.9×150	
43-30	1444-307-2700-0	シフトアーム(C) COMP	1	1		
43-31	1444-307-2800-0	レバー(A) COMP	1	1		
43-32	1444-307-2900-0	レバー(B) COMP	1	1		
43-33	V58014-060250	スプリングピン(W)	1	1	6×25	
43-34	V59013-090900	テッセン	1	1	0.9×90	
43-35	1444-307-0060-0	レバーホルダ	1	1		
43-36	V20126-100250	コガタボルト	2	2	M10×25	
43-37	V40116-001000	S.W	2	2	M10	
43-38	7956-205-0160-0	オイルキャップ(30)	1	1		
43-39	1444-307-0070-0	グリップ	2	2		
43-40	1444-307-0080-0	ブッシュ(14×16×10)	2	2		
43-41	V76140-0000-0	グリスニップル	1	1	PT・1/8A型	

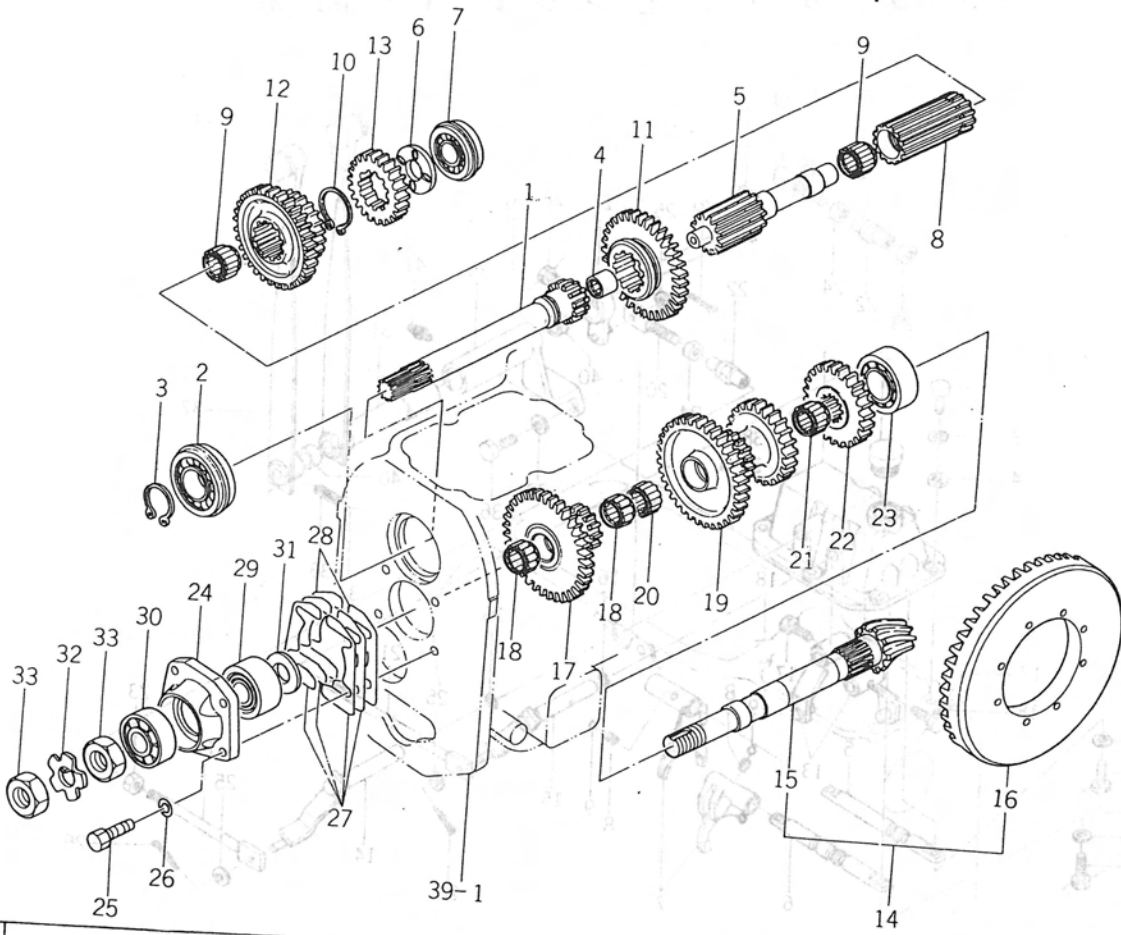
# No.43 サブチェンジレバー関係



品名 部品コード

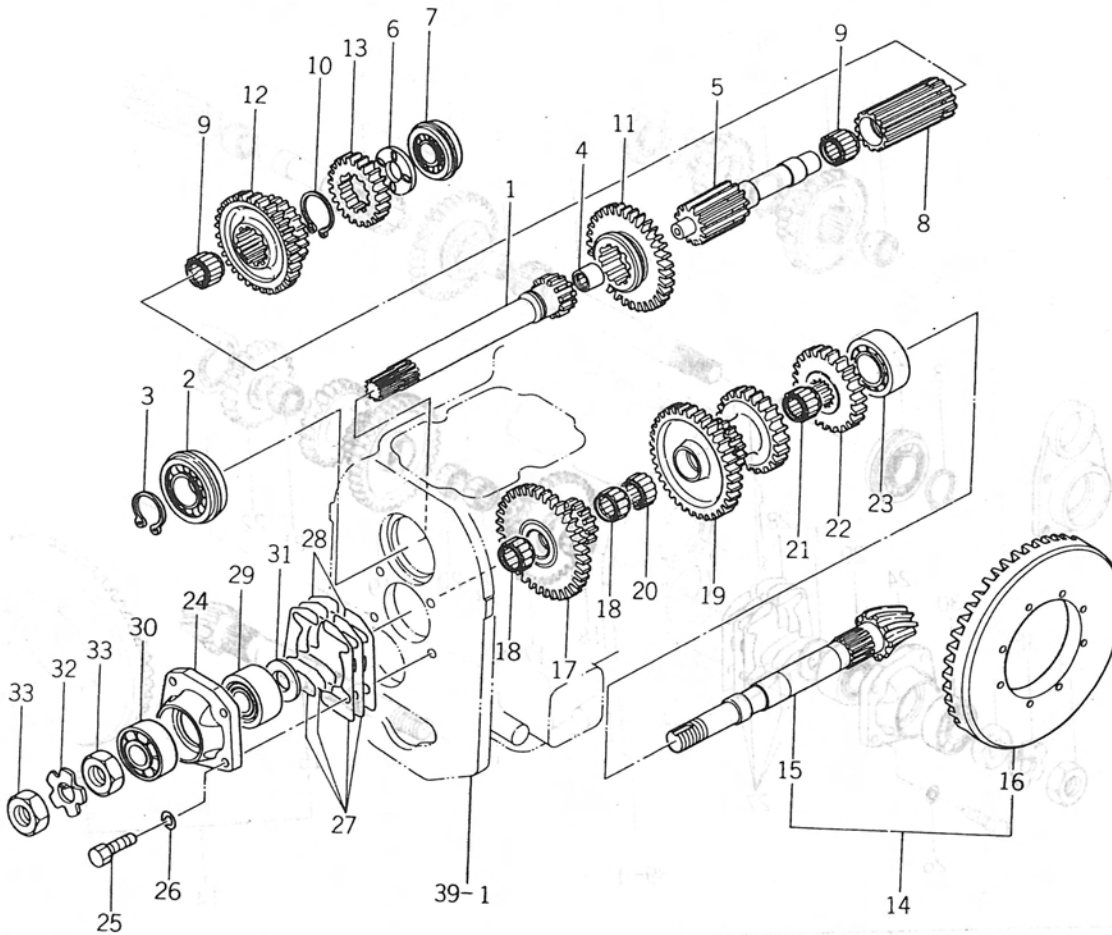
見出番号	部品コード	品名	個数		規格	備考
			C	F		
43-1	1444-307-0010-0	サブチェンジカバー	1	1		
43-2	V20126-080200	コガタボルト	6	6	M8×20	
43-3	V40116-000800	S.W	6	6	M8	
43-4	V41316-000800	ナミマルザガネ	6	6	M8	
43-5	1444-307-0020-0	クリーブシフトステア	1	1		
43-6	1444-307-0030-0	サブシフトステア	1	1		
43-7	1444-307-0040-0	シフト	2	2		
43-8	1302-225-0030-0	シフトスプリング	2	2		
43-9	V68020-000100	スチールボール	2	2	5/16"	
43-10	1407-201-0110-0	コガタロックボルト	4	4	M8×22	
43-11	V40116-000800	S.W	2	2	M8	
43-12	V59013-090900	テッセン	2	2	0.9×90	
43-13	1444-307-2000-0	シフトアーム(A) COMP	2	2		
43-14	1444-307-2100-0	シフトシャフト(A) COMP	1	1		
43-15	1444-307-2200-0	シフトシャフト(B) COMP	1	1		
43-16	V72010-240100	"O"リング	2	2	P10A	
43-17	1415-216-0060-0	コガタボルト	2	2	M8×16	
43-18	V59013-090900	テッセン	2	2	0.9×90	
43-19	1444-307-2300-0	ロッド(A) COMP	1	1		
43-20	1444-307-2400-0	ロッド(B) COMP	2	2		
43-21	1444-307-2500-0	ロッド(C) COMP	1	1		
43-22	1444-307-0050-0	ターンバックル(M10)	2	2		
43-23	V30226-001000	ナット	2	2	M10 (3種)	
43-24	1401-304-0110-0	ナット(ヒダリネジ)	2	2	M10 (3種)	
43-25	V41316-000800	ナミマルザガネ	4	4	M8	

# No.42 リヤミッションギヤ



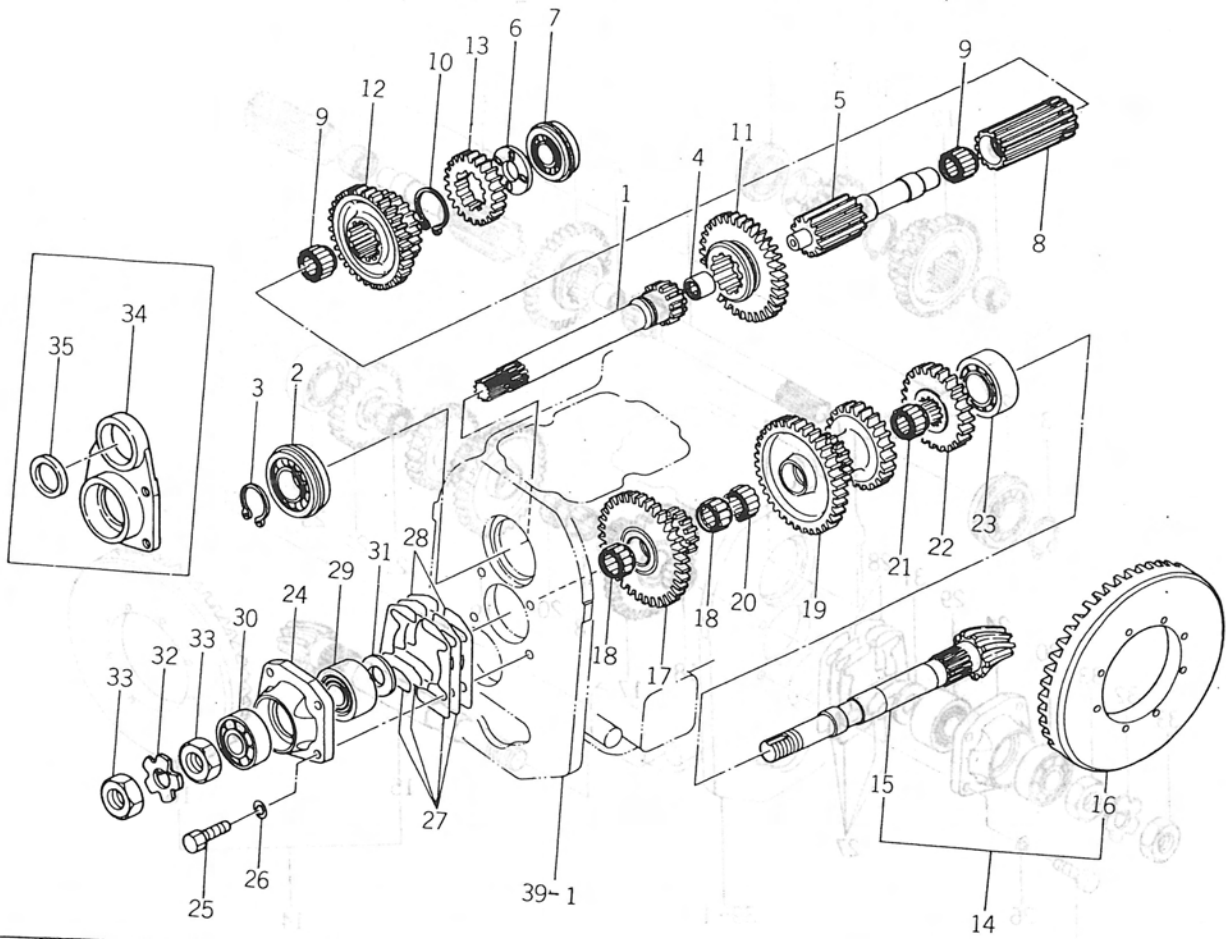
見出番号	部品コード	品名	個数		規格	備考
			C	F		
2-26	V40116-000800	S.W				
2-27	1444-306-0060-0	シム(A)	4	4	M8	
2-28	1444-306-0070-0	シム(B)	4	4		
2-29	1444-306-0080-0	エンスイ コロジク ウケ	AR	AR		
2-30	V63111-303040	エンスイ コロジク ウケ(オオハバ)	1	1	HR32304J	
2-31	1430-203-0060-0	カラ-(20×40×3)	1	1	30304	
2-32	1444-306-0090-0	ロック ワッシャ(M20)	1	1		
2-33	1444-306-0110-0	ナット(M20)	1	1		
			2	2		

# No.42 リヤミッションギヤ



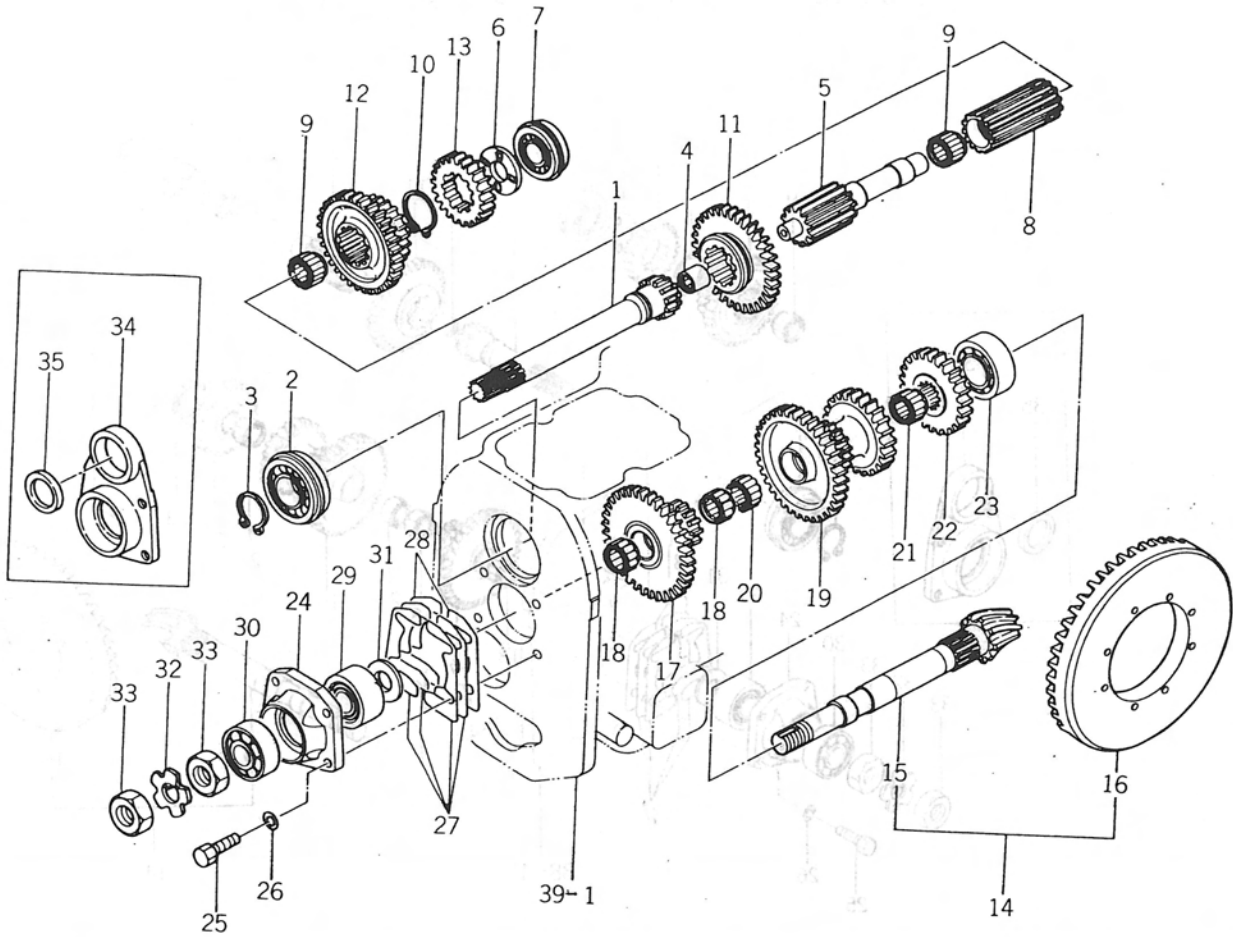
出番号	部品コード	品名	個数		規格	備考
			C	F		
12-1	1446-304-0010-0	ギヤ-(12)	1	1		
12-2	V60711-062060	R.B.B(トメワ ツキ)	1	1	6206NR	
12-3	V70414-003000	Cガタ トメワ(ジク)	1	1	30	
12-4	V65331-622160	ニードル(シエル フタナシ)	1	1	TLA1616	
12-5	1444-304-0020-0	シャフト	1	1		
12-6	1444-304-0030-0	スラスト カラー	1	1		
12-7	1444-304-0080-0	R.B.B	1	1	6304R NR	
12-8	1444-304-0040-0	サブ シャフト	1	1		
12-9	V65442-430160	ニードル(ケージ)	2	2	KT243016	
12-10	V70414-004000	Cガタ トメワ(ジク)	1	1	40	
12-11	1444-304-0050-0	チェンジ ギヤ-(34)	1	1		
12-12	1444-304-0060-0	チェンジ ギヤ-(31-21)	1	1		
12-13	1444-304-0070-0	ギヤ-(21)	1	1		
12-14	1444-306-2000-0	ベベル SET	1	1		
12-15		•ドライブ ビニオン(9)	1	1		△
12-16		•リング ギヤ-(52)	1	1		△
12-17	1444-306-0010-0	カウンタ ギヤ-(36)	1	1		
12-18	V65442-428130	ニードル(ケージ)	2	2	KT242813	
12-19	1444-306-0020-0	カウンタ ギヤ-(36-15-25)	1	1		
12-20	V65442-428130	ニードル(ケージ)	1	1	KT242813	
12-21	V65442-530130	ニードル(ケージ)	1	1	KT253013	
12-22	1447-306-0010-0	ギヤ-(26)	1	1		
12-23	1444-306-0040-0	エントウ コロジク ウケ	1	1	NUP2206R	
12-24	1444-306-0050-0	ドライブ ビニオン メタル	1	1		
12-25	V20146-080200	コガタ ボルト	4	4	M8×20 (9T)	

# No.41 リヤミッションギヤ



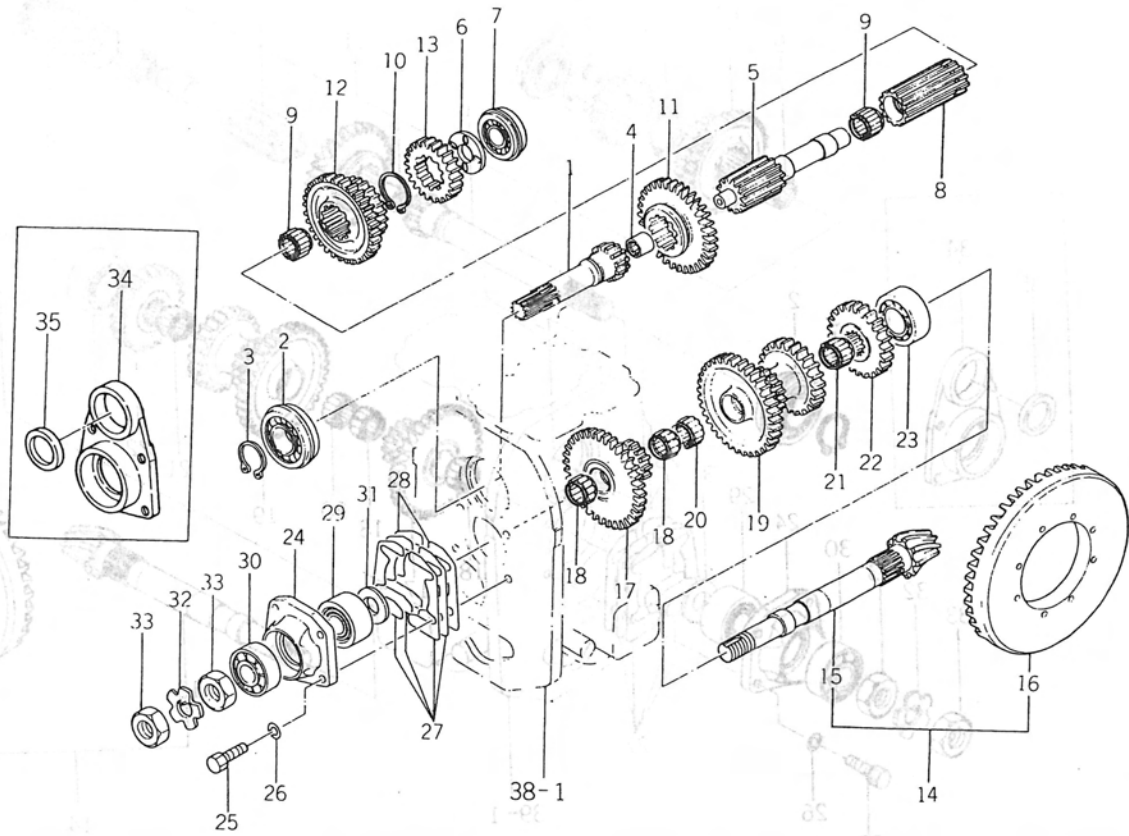
見出番号	部品コード	品名	個数		規格	備考
			C	F		
41-26	V40116-000800	S.W				
41-27	1444-306-0060-0	シム(A)	4	4	M8	
41-28	1444-306-0070-0	シム(B)	4	4		
41-29	1444-306-0080-0	エンスイ コロジク ウケ	AR	AR		
41-30	V63111-303040	エンスイ コロジク ウケ(オオハバ)	1	1	HR32304J	
41-31	1430-203-0060-0	カラ-(20×40×3)	1	1	30304	
41-32	1444-306-0090-0	ロック ワッシャ(M20)	1	1		
41-33	1444-306-0110-0	ナット	1	1		
41-34	1444-306-0120-0	ドライブ ビニオン メタル	2	2		
41-35	V74413-045080	オイル シール	1	1		
			1	1	TC30458	} H.G.FH FG用

# No.41 リヤミッションギヤ



見出番号	部品コード	品名	個数		規格	備考
			C	F		
41-1	1446-304-0010-0	ギヤ-(12)	1	1		
41-2	V60711-062060	R.B.B(トメワ ツキ)	1	1	6206NR	
41-3	V70414-003000	Cガタ トメワ(ジク)	1	1	30	
41-4	V65331-622160	ニードル(シエル フタナシ)	1	1	TLA1616	
41-5	1444-304-0020-0	シャフト	1	1		
41-6	1444-304-0030-0	スラスト カラー	1	1		
41-7	1444-304-0080-0	R.B.B	1	1	6304R NR	
41-8	1444-304-0040-0	サブ シャフト	1	1		
41-9	V65442-430160	ニードル(ケージ)	2	2	KT243016	
41-10	V70414-004000	Cガタ トメワ(ジク)	1	1	40	
41-11	1444-304-0050-0	チェンジ ギヤ-(34)	1	1		
41-12	1444-304-0060-0	チェンジ ギヤ-(31-21)	1	1		
41-13	1444-304-0070-0	ギヤ-(21)	1	1		
41-14	1444-306-2000-0	ベベル SET	1	1		
41-15		•ドライブ ピニオン(9)	1	1		△
41-16		•リング ギヤ-(52)	1	1		△
41-17	1444-306-0010-0	カウンタ ギヤ-(36-15-25)	1	1		
41-18	V65442-428130	ニードル(ケージ)	2	2	KT242813	
41-19	1444-306-0020-0	カウンタ ギヤ-(36-14)	1	1		
41-20	V65442-428130	ニードル(ケージ)	1	1	KT242813	
41-21	V65442-530130	ニードル(ケージ)	1	1	KT253013	
41-22	1446-306-0010-0	ギヤ-(24)	1	1		
41-23	1444-306-0040-0	エントウ コロジク ウケ	1	1	NUP2206R	
41-24	1444-306-0050-0	ドライブ ピニオン メタル	1	1		C.F.FC用
41-25	V20146-080200	コガタ ボルト	4	4	M8×20(9T)	

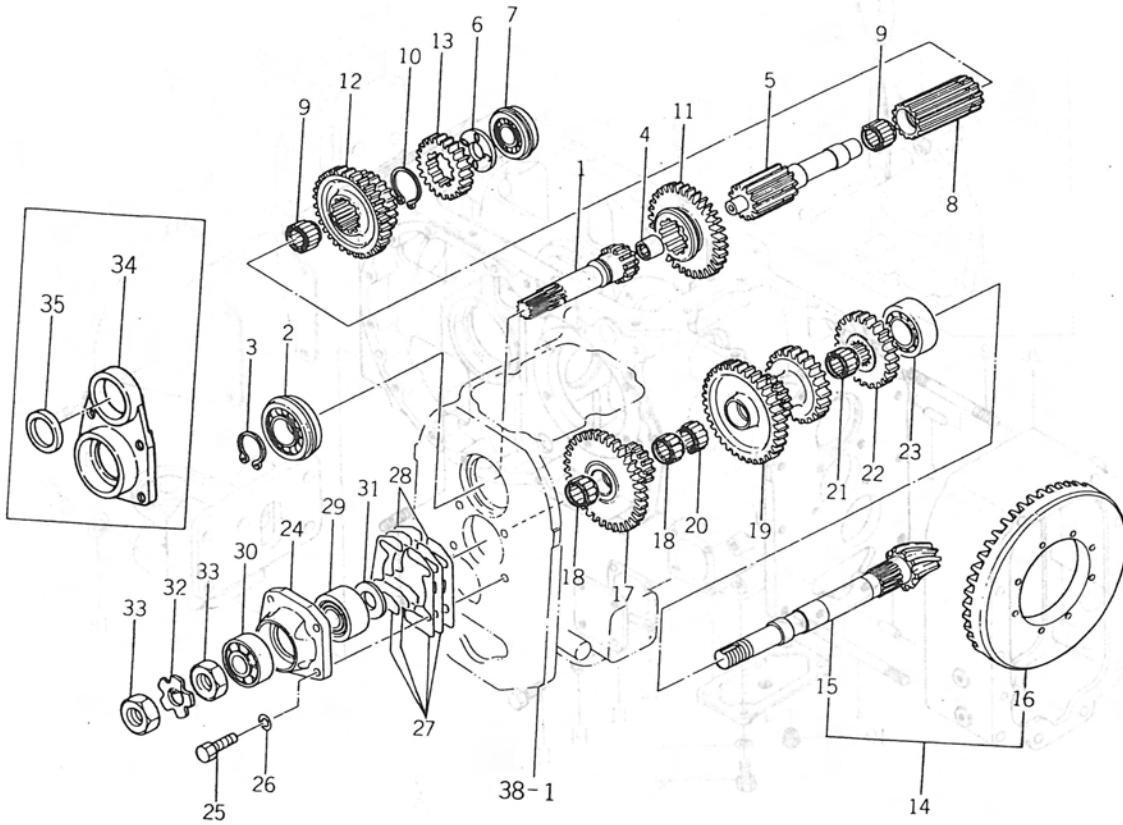
# No.40 リヤミッションギヤ



見出番号	部品コード	品名	個数		規格	備
			C	F		
40-26	V40116-000800	S.W	4	4	M8	
40-27	1444-306-0060-0	シム(A)	4	4		
40-28	1444-306-0070-0	シム(B)	AR	AR		
40-29	1444-306-0080-0	エンスイ コロジク ウケ	1	1	HR32304J	
40-30	V63111-303040	エンスイ コロジク ウケ(オオハバ)	1	1	30304	
40-31	1430-203-0060-0	カラー(20×40×3)	1	1		
40-32	1444-306-0090-0	ロック ワッシャ(M20)	1	1		
40-33	1444-306-0110-0	ナット(M20)	2	2		
40-34	1444-306-0120-0	ドライブ ビニオン メタル	1	1		
40-35	V74413-045080	オイル シール	1	1	TC30458	}H.G.FH.FG

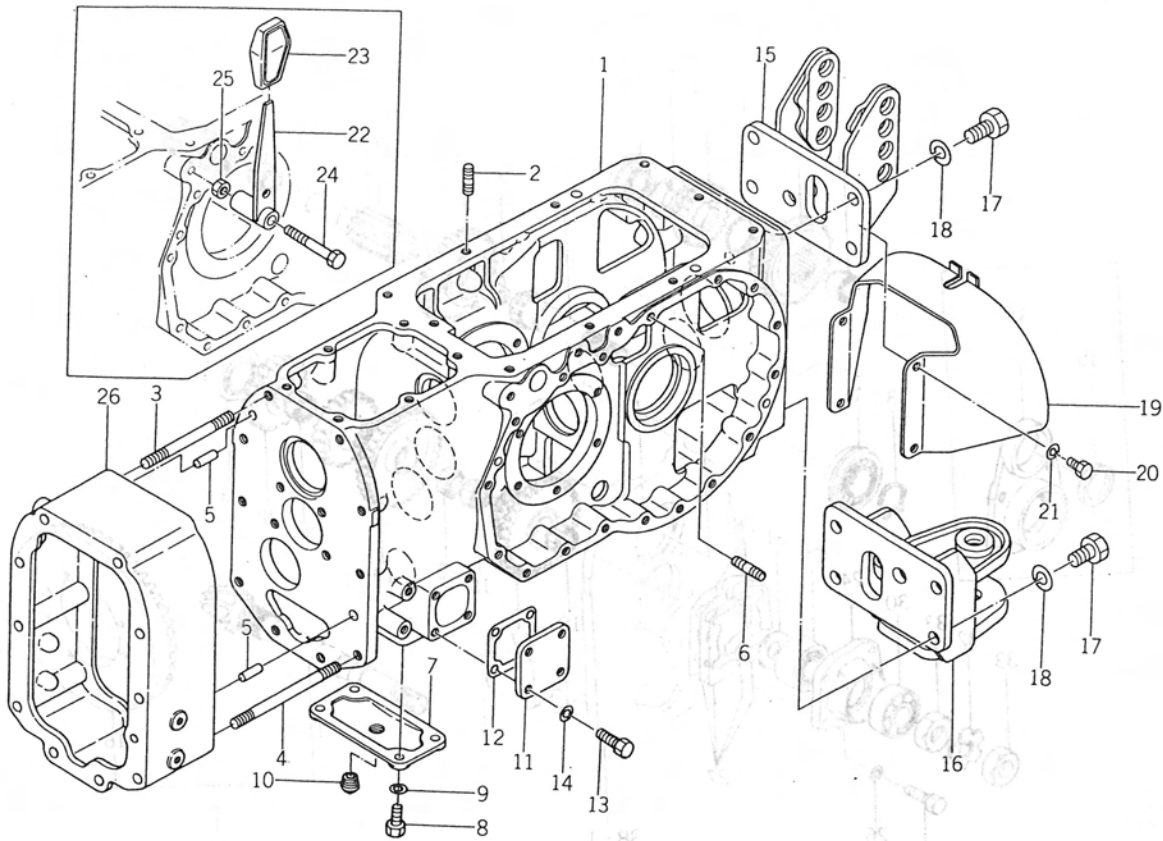


# No.40 リヤミッションギヤ



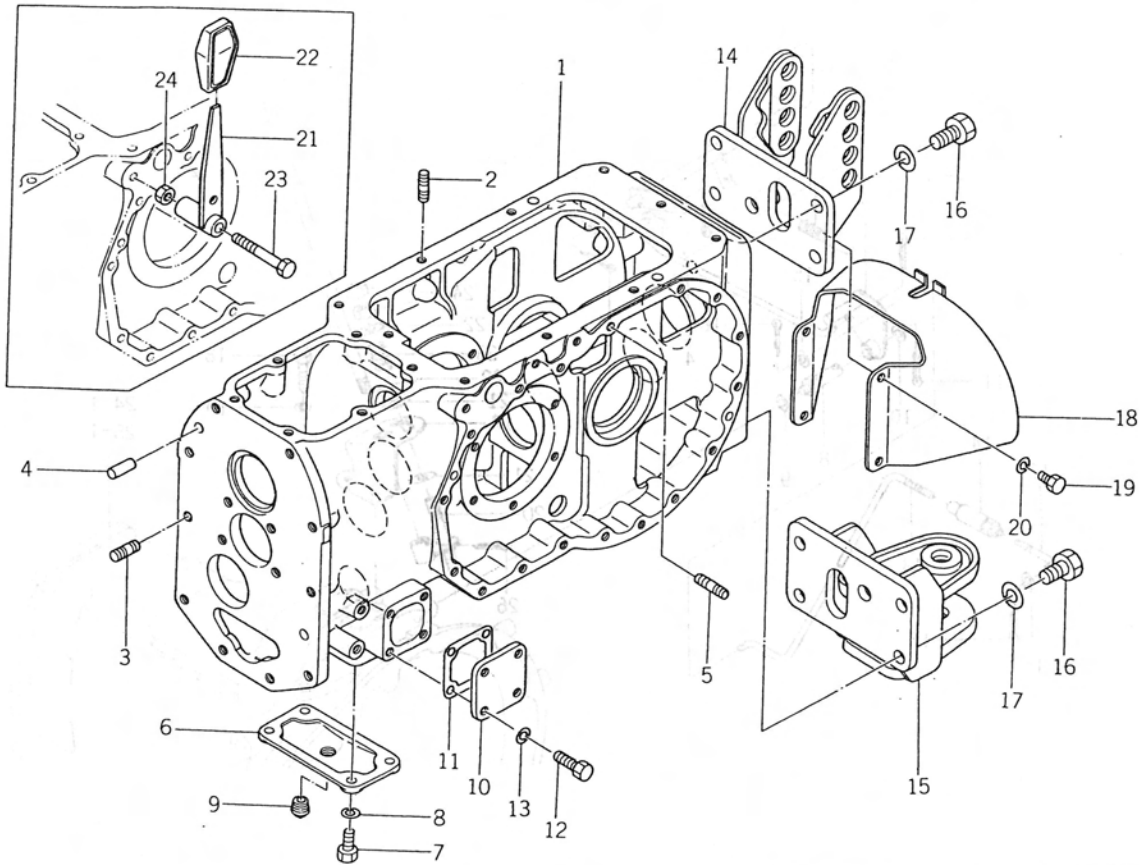
見出番号	部品コード	品名	個数		規格	備考
			C	F		
40-1	1444-304-0010-0	ギヤ-(12)	1	1		
40-2	V60711-062060	R.B.B(トメワ ツキ)	1	1	6206NR	
40-3	V70414-003000	Cガタ トメワ(ジク)	1	1	30	
40-4	V65331-622160	ニードル(シエル フタナシ)	1	1	TLA1616	
40-5	1444-304-0020-0	シャフト	1	1		
40-6	1444-304-0030-0	スラスト カラー	1	1		
40-7	1444-304-0080-0	R.B.B	1	1		
40-8	1444-304-0040-0	サブ シャフト	1	1	6304R NR	
40-9	V65442-430160	ニードル(ケージ)	1	1		
40-10	V70414-004000	Cガタ トメワ(ジク)	2	2	KT243016	
40-11	1444-304-0050-0	チェンジ ギヤ-(34)	1	1	40	
40-12	1444-304-0060-0	チェンジ ギヤ-(31-21)	1	1		
40-13	1444-304-0070-0	ギヤ-(21)	1	1		
40-14	1444-306-2000-0	ベベル SET	1	1		
40-15		●ドライブ ピニオン(9)	1	1		
40-16		●リング ギヤ-(52)	1	1		△
40-17	1444-306-0010-0	カウンタ ギヤ-(36-14)	1	1		△
40-18	V65442-428130	ニードル(ケージ)	2	2	KT242813	
40-19	1444-306-0020-0	カウンタ ギヤ-(36-15-25)	1	1		
40-20	V65442-428130	ニードル(ケージ)	1	1	KT242813	
40-21	V65442-530130	ニードル(ケージ)	1	1	KT253013	
40-22	1444-306-0030-0	ギヤ-(24)	1	1		
40-23	1444-306-0040-0	エントウ コロジク ウケ	1	1		
40-24	1444-306-0050-0	ドライブ ピニオン メタル	1	1	NUP2206R	
40-25	V20146-080200	コガタ ボルト	1	1		C.F.FC用
			4	4	M8×20 (9T)	

# No.39 リヤミッションケース関係



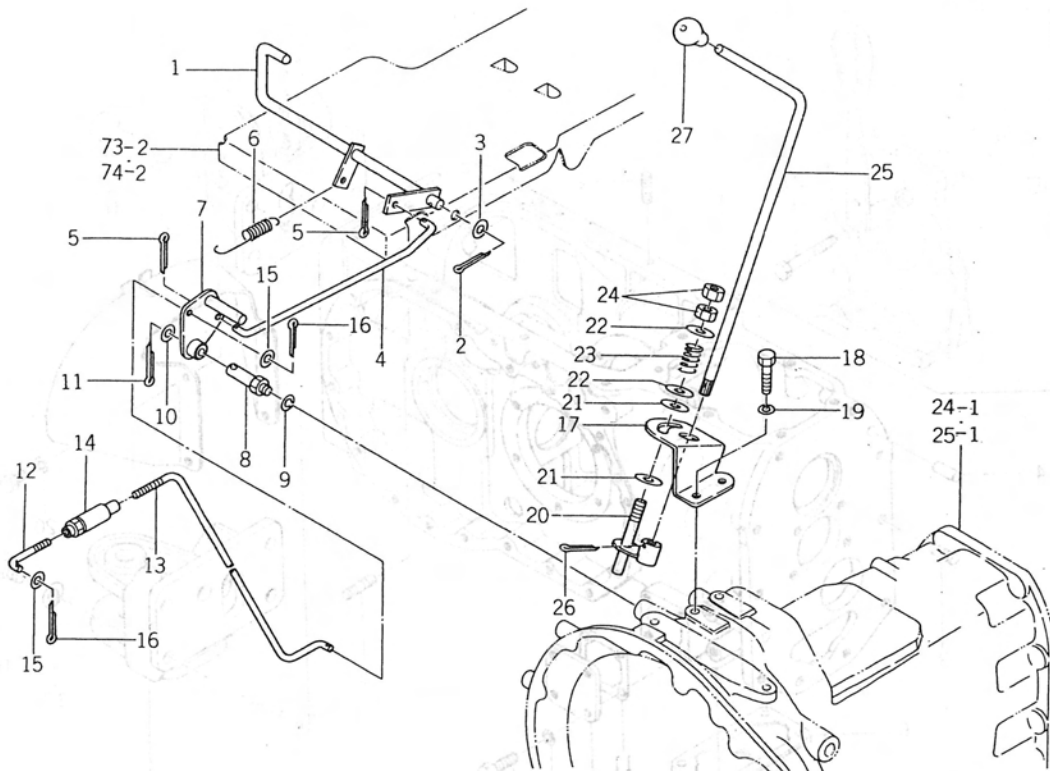
見出番号	部品コード	品名	個数		規格	備考
			C	F		
39-1	1444-301-0010-0	リヤ ミッション ケース	1	1		
39-2	V25144-100280	ウエコミ ボルト	3	3	M10×28(9T)(2種)	
39-3	V25144-121300	ウエコミ ボルト	8	8	M12×130(9T)(2種)	
39-4	V25144-121600	ウエコミ ボルト	2	2	M12×160(7T)(2種)	
39-5	V52010-100280	ヘイコウ ピン(A)	4	4	M10×28	
39-6	V25144-100350	ウエコミ ボルト	2	2	M10×35(9T)(2種)	
39-7	1444-301-0020-0	カバー(A)	1	1		
39-8	V20126-080200	コガタ ボルト	4	4	M8×20	
39-9	V40116-000800	S.W	4	4	M8	
39-10	V78110-000060	アタマツキ プラグ	1	1	PT3/8	
39-11	1444-301-0030-0	カバー(B)	1	1		
39-12	1444-301-0040-0	カバー バッキン	1	1		
39-13	V20126-080140	コガタ ボルト	4	4	M8×14	
39-14	V40116-000800	S.W	4	4	M8	
39-15	1444-317-2000-0	リヤ- ヒッチ COMP	1	1		
39-16	1444-317-2100-0	トレ-ラ ヒッチ COMP	1	1		
39-17	V20146-140350	コガタ ボルト	8	8	M14×35(9T)	
39-18	V40116-001400	S.W	8	8	M14	
39-19	1444-317-2200-0	シールド カバー COMP	1	1		
39-20	V20126-080100	コガタ ボルト	4	4	M8×10	
39-21	V40116-000800	S.W	4	4	M8	
39-22	1444-312-2300-0	レバー COMP	1	1		
39-23	1432-242-0040-0	グリップ(B)	1	1		
39-24	V20126-100700	コガタ ボルト	1	1	M10×70	
39-25	V30226-001000	ナット	1	1	M10 (3種)	
39-26	1446-301-0010-0	スペ-サ	1	1		

# No. 38 リヤミッションケース関係



見出番号	部品コード	品名	個数		規格	備考
			C	F		
38-1	1444-301-0010-0	リヤ ミッション ケース	1	1		
38-2	V25144-100280	ウエコミ ボルト	3	3	M10×28 (9T) (2種)	
38-3	V25144-120280	ウエコミ ボルト	1	1	M12×28 (9T) (2種)	
38-4	V52010-100280	ヘイコウ ピン(A)	2	2	M10×28	
38-5	V25144-100350	ウエコミ ボルト	2	2	M10×35 (9T) (2種)	
38-6	1444-301-0020-0	カバー (A)	1	1		
38-7	V20126-080200	コガタ ボルト	4	4	M8×20	
38-8	V40116-000800	S.W	4	4	M8	
38-9	V78110-000060	アタマツキ プラグ	1	1	PT3/8	
38-10	1444-301-0030-0	カバー (B)	1	1		
38-11	1444-301-0040-0	カバー パッキン	1	1		
38-12	V20126-080140	コガタ ボルト	4	4	M8×14	
38-13	V40116-000800	S.W	4	4	M8	
38-14	1444-317-2000-0	リヤ- ヒッチ COMP	1	1		
38-15	1444-317-2100-0	トレーラ ヒッチ COMP	1	1		
38-16	V20146-140350	コガタ ボルト	8	8	M14×35(9T)	
38-17	V40116-001400	S.W	8	8	M14	
38-18	1444-317-2200-0	シールド カバー COMP	1	1		
38-19	V20126-080100	コガタ ボルト	4	4	M8×10	
38-20	V40116-000800	S.W	4	4	M8	
38-21	1444-312-2300-0	レバー COMP	1	1		
38-22	1432-242-0040-0	グリップ(B)	1	1		
38-23	V20126-100700	コガタ ボルト	1	1	M10×70	
38-24	V30226-001000	ナット	1	1	M10 (3種)	

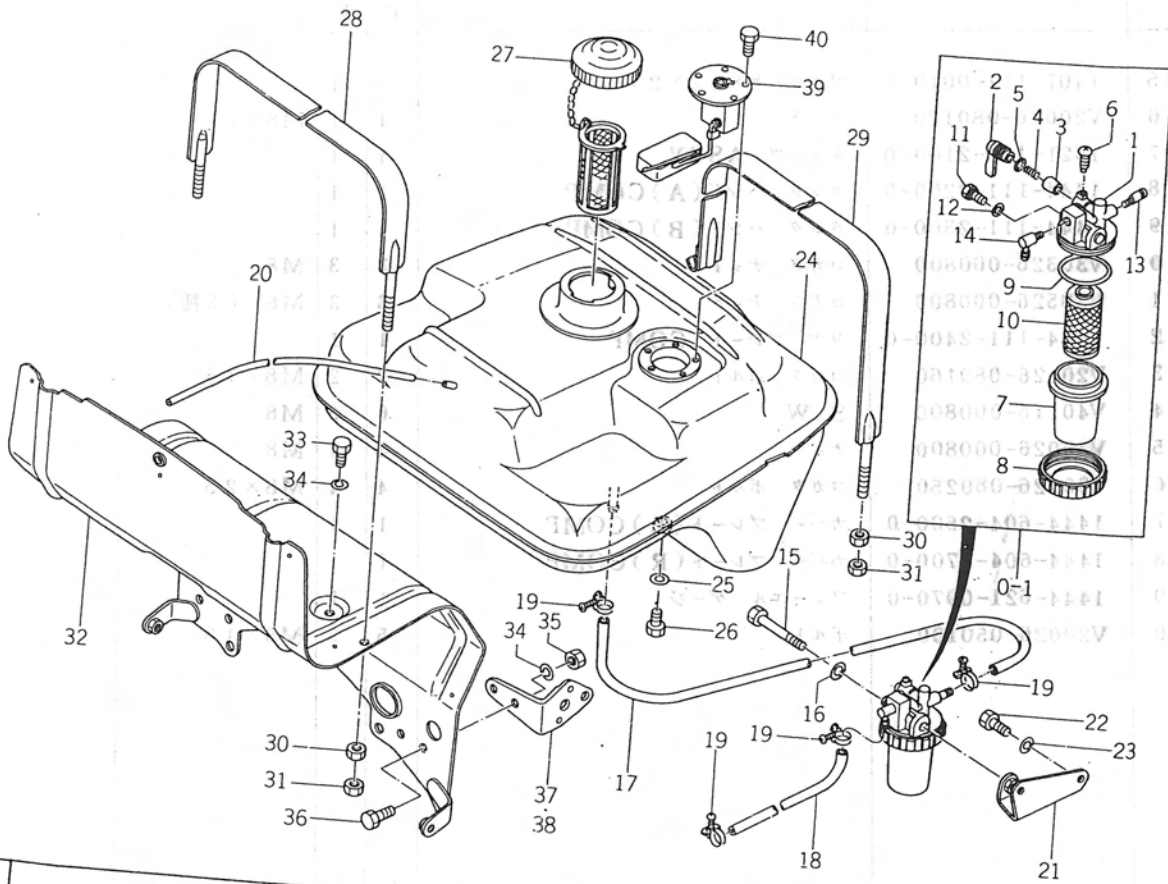
# No.37 スロットル 関係



見出番号	部品コード	品名	個数		規格	備考
			C	F		
37-1	1444-116-2000-0	アクセル ペダル COMP				
37-2	V50015-300180	ワリ ピン	1	1		
37-3	V41316-001000	ナミマル ザガネ	1	1	3×18	
37-4	1444-116-0010-0	アクセル コネクタ	1	1	M10	
37-5	V50015-200180	ワリ ピン	1	1		
37-6	1444-116-0020-0	テンション スプリング(90)	2	2	2×18	
37-7	1444-116-2100-0	アクセル アーム COMP	1	1		
37-8	1416-116-0040-0	アーム ピン	1	1		
37-9	V40116-000800	S.W	1	1		
37-10	V41316-001000	ナミマル ザガネ	1	1	M8	
37-11	V50015-200180	ワリ ピン	1	1	M10	
37-12	1444-116-0030-0	アクセル ロッド(A)	1	1	2×18	
37-13	1444-116-0040-0	アクセル ロッド(B)	1	1		
37-14	1421-116-0020-0	M6 ターン バックル	1	1		
37-15	V41316-000600	ナミマル ザガネ	1	1		
37-16	V50015-200150	ワリ ピン	2	2	M6	
37-17	1444-116-0050-0	ホルダ	2	2	2×15	
37-18	V20126-080160	コガタ ボルト	1	1		
37-19	V40116-000800	S.W	2	2	M8×16	
37-20	1444-116-2200-0	アーム COMP	2	2	M8	
37-21	1444-116-0060-0	ライニング	1	1		
37-22	1444-116-0070-0	ワッシャ(11×30×2)	2	2		
37-23	1444-116-0080-0	プレッシャ スプリング(30)	2	2		
37-24	V30226-001000	ナット	1	1		
37-25	1444-116-0090-0	レバー	2	2	M10(3種)	
37-26	V50015-250300	ワリ ピン	1	1		
37-27	1414-117-0040-0	レバー ノブ(30)	1	1	2.5×30	

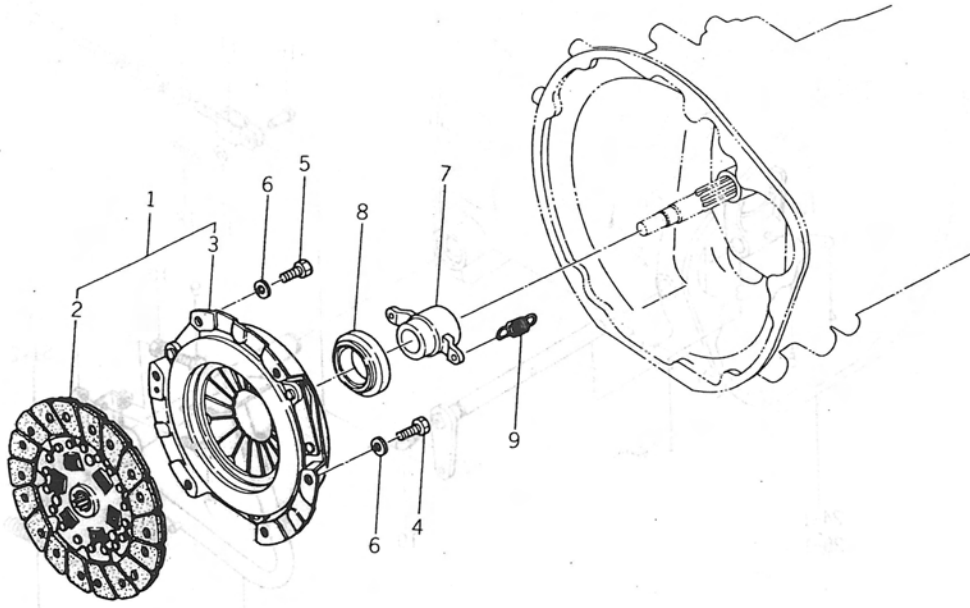
見出番号	部品コード	品名	個数		規格	備考
			C	F		
36-25	1407-111-0010-0	ザガネ(8×12×2)				
36-26	V20026-080120	ボルト	1	1		
36-27	1421-111-2100-0	キャップ ASSY	1	1	M8×12	
36-28	1444-111-2200-0	タンク バンド(A)COMP	1	1		
36-29	1444-111-2300-0	タンク バンド(B)COMP	1	1		
36-30	V30326-000800	コガタ ナット	1	1		
36-31	V30526-000800	コガタ ナット	3	3	M8	
36-32	1444-111-2400-0	リヤ プレート COMP	3	3	M8 (3種)	
36-33	V20126-080160	コガタ ボルト	1	1		
36-34	V40116-000800	S.W	2	2	M8×16	
36-35	V30026-000800	ナット	6	6	M8	
36-36	V20126-080250	コガタ ボルト	4	4	M8	
36-37	1444-604-2600-0	カバー プレート(L)COMP	4	4	M8×25	
36-38	1444-604-2700-0	カバー プレート(R)COMP	1	1		
36-39	1444-621-0070-0	フューエル ゲージ	1	1		
36-40	V20026-050100	ボルト	1	1		
			5	5	M5×10	

# No.36 フュエルタンク関係



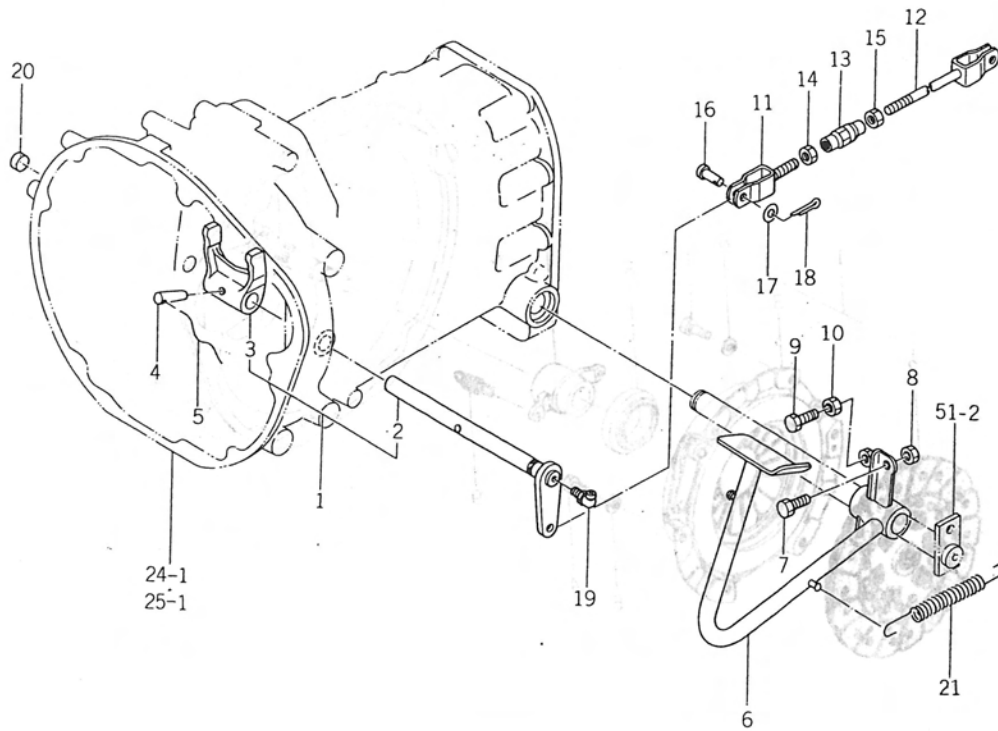
見出番号	部品コード	品名	個数		規格	備考
			C	F		
36-0-1	1444-102-2000-0	フィルタ コック ASSY				
36-1		●ボデー	1	1		
36-2		●レバー	1	1		
36-3		●テーパーバルブ	1	1		△
36-4		●バルブスプリング	1	1		△
36-5	V72010-240100	●"O"リング	1	1		△
36-6		●ビス	1	1	10	△
36-7	1415-102-0090-0	●カップ	1	1		
36-8	1444-102-2040-0	●リングナット	1	1		△
36-9	V72010-100440	●"O"リング	1	1		
36-10	1415-102-0110-0	●エレメント	1	1		
36-11	1415-102-0120-0	●エアースキプラグ	1	1		
36-12	1415-102-0130-0	●バックイン	2	2		
36-13		●パイプジョイント	2	2		
36-14		●Lガタジョイント	1	1		
36-15	V20126-080650	コガタボルト	1	1		△
36-16	V40116-000800	S.W	1	1		△
36-17	1444-102-0010-0	フューエルパイプ(A)	1	1	M8×65	
36-18	1421-102-0011-0	フューエルパイプ(A)	1	1	M8	
36-19	1444-102-0030-0	ホースバンド(12)	1	1		
36-20	1444-102-0040-0	フューエルリターンパイプ	1	1	7×11×220	タンク→フィルタ フィルタ→ポンプ
36-21	1444-102-2100-0	コックステー	4	4		
36-22	V20126-080160	COMP	1	1		
36-23	V40116-000800	コガタボルト	1	1		
36-24	1444-111-2000-0	S.W	2	2	M8×16	
		フューエルタンクCOMP	2	2	M8	
			1	1		

# No. 35 クラッチ関係



出番号	部品コード	品名	個数		規格	備考
			C	F		
35-1	1445-120-2000-0	クラッチ(200) ASSY	1	1		
35-2	1445-120-2010-0	•クラッチ ディスク(200)	1	1		
35-3	1445-120-2020-0	•クラッチ カバー	1	1		
35-4	1415-121-0090-0	リーマ ボルト(M8×25)	1	1		
35-5	V20126-080250	コガタ ボルト	2	2		
35-6	V40116-000800	S.W	4	4	M8×25	
35-7	1445-120-0010-0	スリーブ	6	6	M8	
35-8	1445-120-0020-0	クラッチ レリーズ ベアリング	1	1		
35-9	1432-120-0040-0	テンション スプリング(31)	2	2		

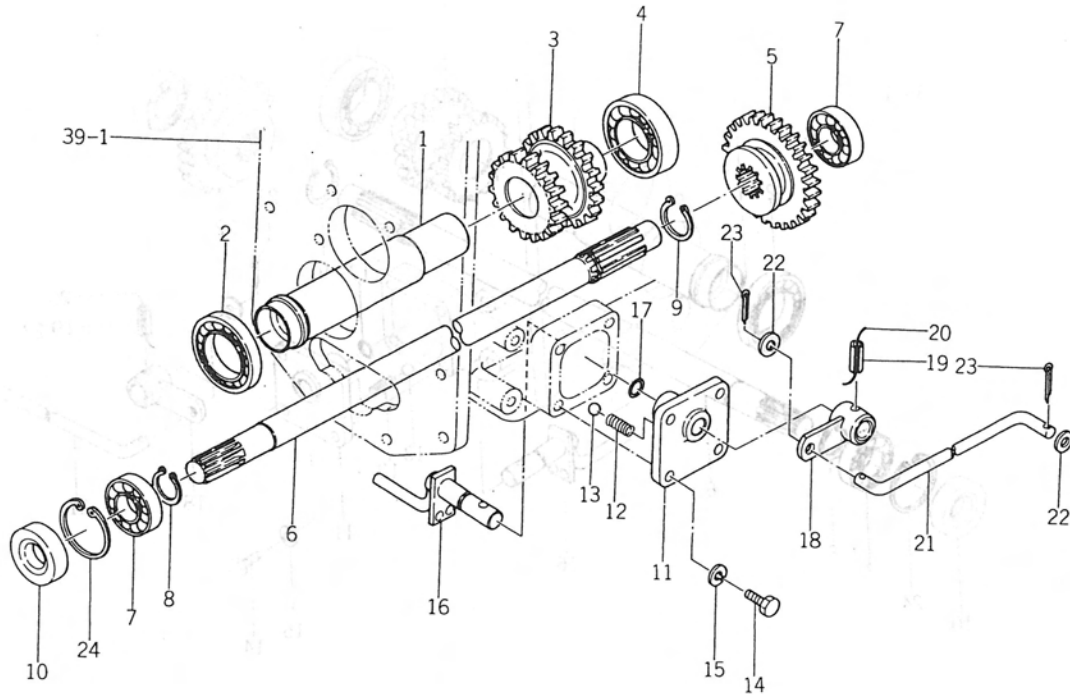
# No.34 クラッチペダル関係



見出番号	部品コード	品名	個数		規格	備考
			C	F		
34-1	1444-122-2000-0	クラッチ シャフト SET	1	1		
34-2		●クラッチ シャフト COMP	1	1		
34-3		●ヨーク	1	1		△
34-4	1404-101-0010-0	クラッチ ヨーク テーパ ビン	1	1		△
34-5	V59013-121500	テッセン	1	1		
34-6	1444-122-2200-0	クラッチ ペダル COMP	1	1	1.2×150	
34-7	V20126-080250	コガタ ボルト	1	1	M8×25	
34-8	V30126-000800	ナット	1	1	M8 (2種)	
34-9	V20126-100250	コガタ ボルト	1	1	M10×25	
34-10	V30126-001000	ナット	1	1	M10 (2種)	
34-11	1444-122-2300-0	クラッチ ロッド(A) COMP	1	1		
34-12	1444-122-2400-0	クラッチ ロッド(B) COMP	1	1		
34-13	1444-122-0020-0	ターン バックル(M8)	1	1		
34-14	V30226-000800	ナット	1	1	M8 (3種)	
34-15	1401-122-0050-0	ロクカク ナット(ヒダリ ネジ)	1	1	M8 (3種)	
34-16	3737-235-0080-0	チェーンバリ ワイヤ ビン	2	2		
34-17	V41316-000800	ナミマル ザガネ	2	2	M8	
34-18	V50015-200180	ワリ ビン	2	2	2×18	
34-19	1432-406-2120-0	グリス ニップル	1	1	B-M6F P=1.0	
34-20	1415-122-0020-0	シール キャップ	1	1		
34-21	1403-312-0030-0	パーキング ブレーキ スプリング	1	1		

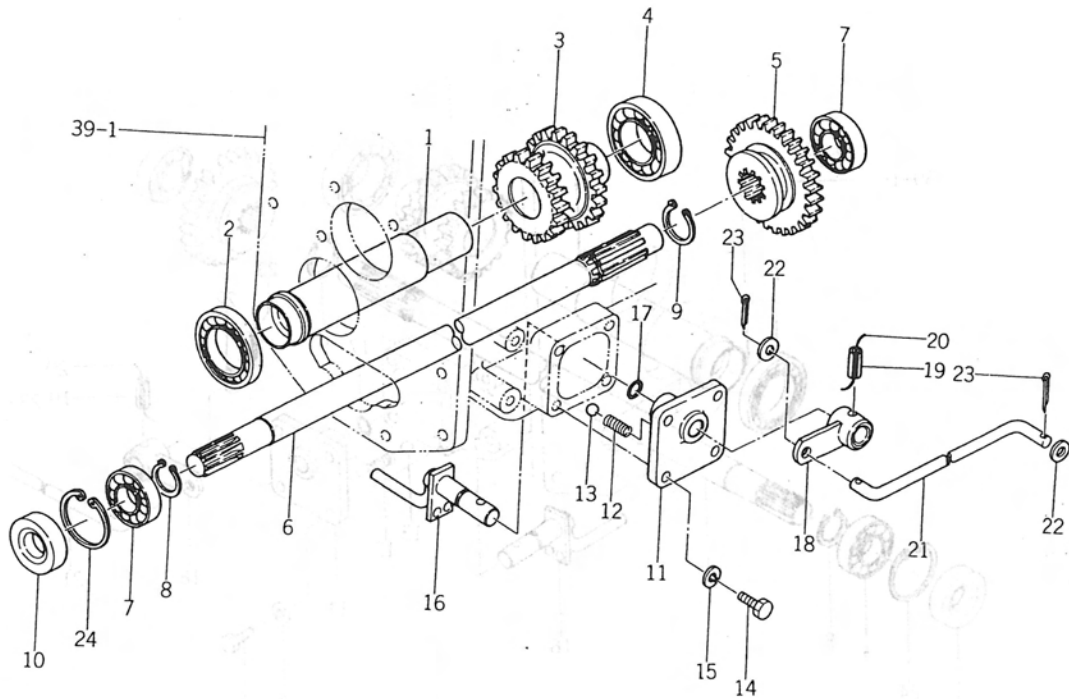


# No.33 フロントドライブ関係 (F型)



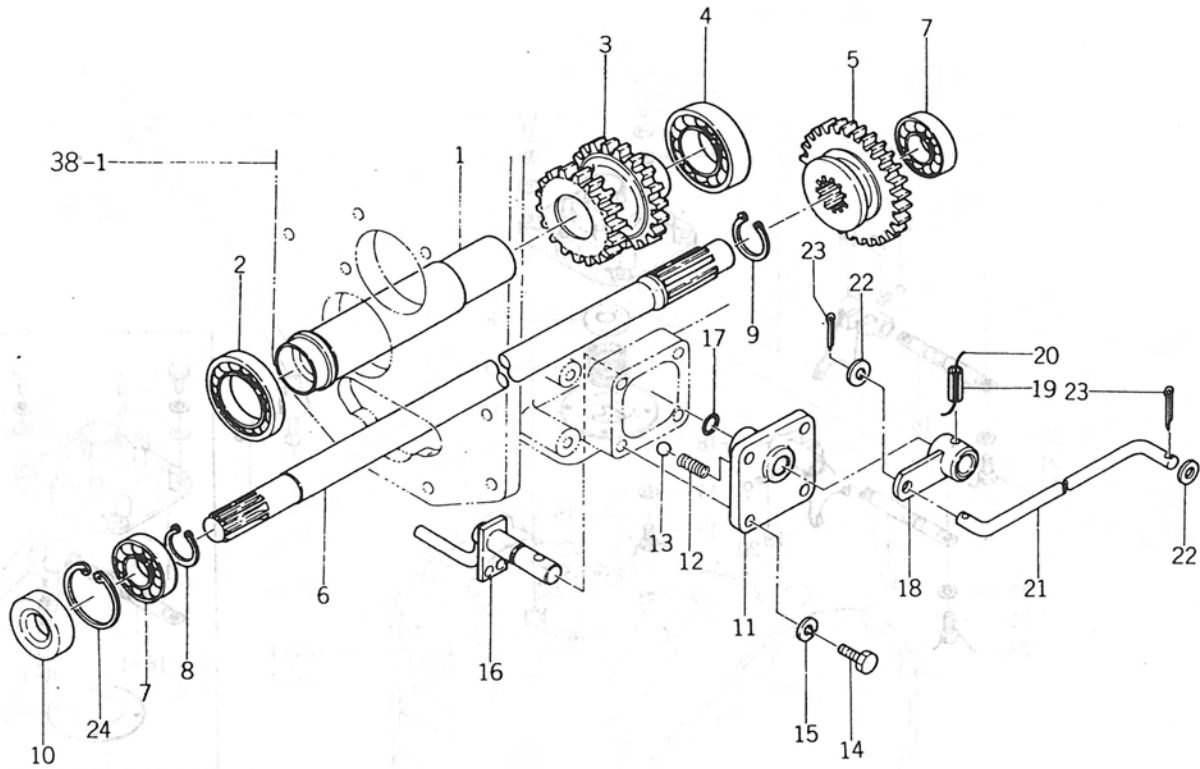
見出番号	部品コード	品名	個数		規格	備考
			C	F		
33-1	1444-309-0010-0	パイプ(176)		1		
33-2	V60011-160070	R.B.B		1	16007	
33-3	1447-309-0010-0	ギヤ-(21-24)		1		
33-4	V60011-060070	R.B.B		1	6007	
33-5	1444-311-0010-0	チェンジギヤ-(27)		1		
33-6	1446-311-0020-0	ドライブシャフト		1		
33-7	V60011-060040	R.B.B		1		
33-8	V70414-002000	Cガタトメワ(ジク)		2	6004	
33-9	V70414-002500	Cガタトメワ(ジク)		1	20	
33-10	V74112-042100	オイルシール		1	25	
33-11	1444-312-0010-0	ボス		1	SC204210 (AC1038EO)	
33-12	1302-225-0030-0	シフトスプリング		1		
33-13	V68020-000100	スチールボール		1		
33-14	V20126-080200	コガタボルト		1	5/16"	
33-15	V40116-000800	S.W		4	M8×20	
33-16	1444-312-2000-0	シフトCOMP		4	M8	
33-17	V72010-240100	"O"リング		1		
33-18	1444-312-2100-0	シフトアームCOMP		1	P10A	
33-19	V58014-060250	スプリングピン(W)		1		
33-20	V59013-090900	テッセン		1	6×25	
33-21	1444-312-2200-0	ロッドCOMP		1	0.9×90	
33-22	V41316-000800	ナミマルザガネ		1		
33-23	V50015-200160	ワリピン		2	M8	
33-24	V70514-004200	Cガタトメワ(アナ)		2	2×16	
				1	42	

# No. 32 フロントドライブ関係 (F型)



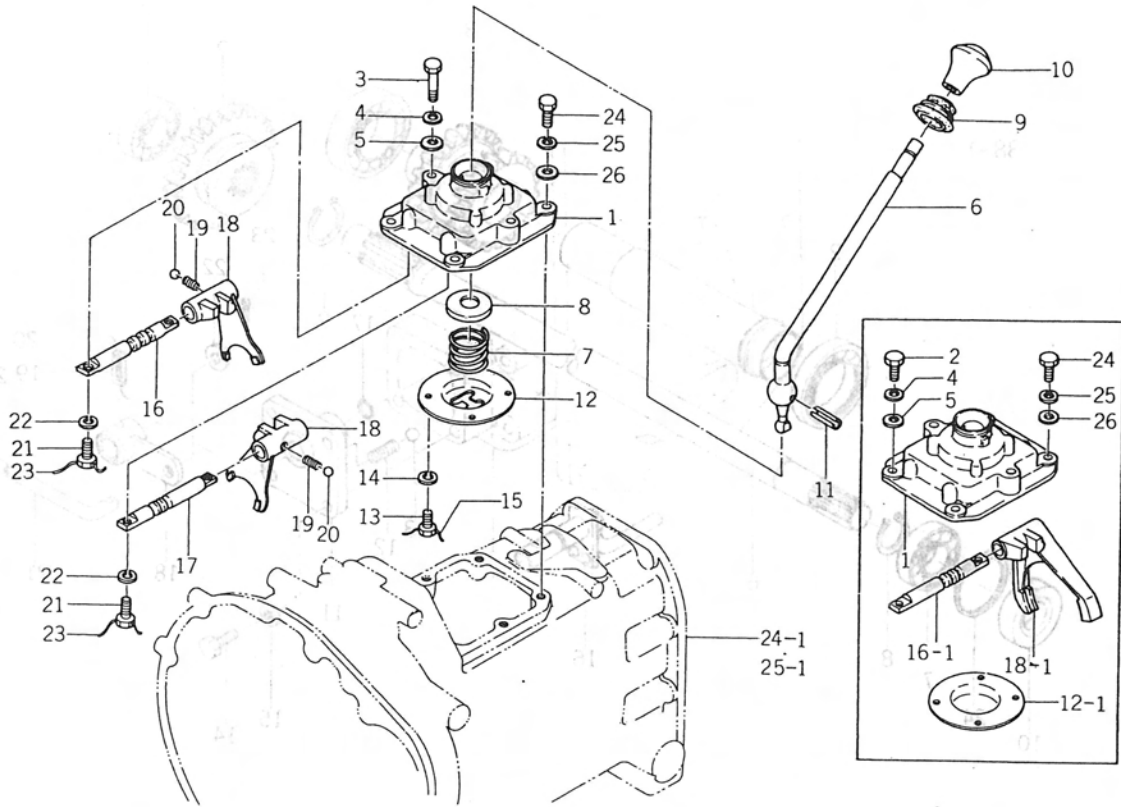
見出番号	部品コード	品名	個数		規格	備考
			C	F		
32-1	1444-309-0010-0	パイプ(176)		1		
32-2	V60011-160070	R.B.B		1	16007	
32-3	1446-309-0010-0	ギヤ-(21-23)		1	6007	
32-4	V60011-060070	R.B.B		1		
32-5	1446-311-0010-0	チェンジギヤ-(28)		1		
32-6	1446-311-0020-0	ドライブシャフト		1		
32-7	V60011-060040	R.B.B		2	6004	
32-8	V70414-002000	Cガタ トメワ(ジク)		1	2	
32-9	V70414-002500	Cガタ トメワ(ジク)		1	25	
32-10	V74112-042100	オイルシール		1	SC204210 (AC1038EO)	
32-11	1444-312-0010-0	ボス		1		
32-12	1302-225-0030-0	シフトスプリング		1		
32-13	V68020-000100	スチールボール		1	5/16"	
32-14	V20126-080200	コガタボルト		4	M8×20	
32-15	V40116-000800	S.W		4	M8	
32-16	1444-312-2000-0	シフトCOMP		1		
32-17	V72010-240100	"O"リング		1	P10A	
32-18	1444-312-2100-0	シフトアームCOMP		1		
32-19	V58014-060250	スプリングピン(W)		1	6×25	
32-20	V59013-090900	テッセン		1	0.9×90	
32-21	1444-312-2200-0	ロッドCOMP		1		
32-22	V41316-000800	ナミマルザガネ		2	M8	
32-23	V50015-200160	ワリピン		2	2×16	
32-24	V70514-004200	Cガタトメワ(アナ)		1	42	

# No. 31 フロントドライブ関係 (F型)



見出番号	部品コード	品名	個数		規格	備考
			C	F		
31-1	1444-309-0010-0	パイプ(176)		1		
31-2	V60011-160070	R.B.B		1	1607	
31-3	1444-309-0020-0	ギヤ-(21-22)		1		
31-4	V60011-060070	R.B.B		1	6007	
31-5	1444-311-0010-0	チェンジギヤ-(27)		1		
31-6	1444-311-0020-0	ドライブシャフト		1		
31-7	V60011-060040	R.B.B		2	6004	
31-8	V70414-002000	Cガタ トメワ(ジク)		1	20	
31-9	V70414-002500	Cガタ トメワ(ジク)		1	25	
31-10	V74112-042100	オイルシール		1	SC204210 (AC1038EO)	
31-11	1444-312-0010-0	ボス		1		
31-12	1302-225-0030-0	シフトスプリング		1		
31-13	V68020-000100	スチールボール		1		
31-14	V20126-080200	コガタボルト		1	5/16"	
31-15	V40116-000800	S.W		4	M8×20	
31-16	1444-312-2000-0	シフトCOMP		4	M8	
31-17	V72010-240100	"O"リング		1		
31-18	1444-312-2100-0	シフトアームCOMP		1	P10A	
31-19	V58014-060250	スプリングピン(W)		1		
31-20	V59013-090900	テッセン		1	6×25	
31-21	1444-312-2200-0	ロッドCOMP		1	0.9×90	
31-22	V41316-000800	ナミマルザガネ		1		
31-23	V50015-200160	ワリピン		2	M8	
31-24	V70514-004200	Cガタトメワ(アナ)		2	2×16	
				1	42	

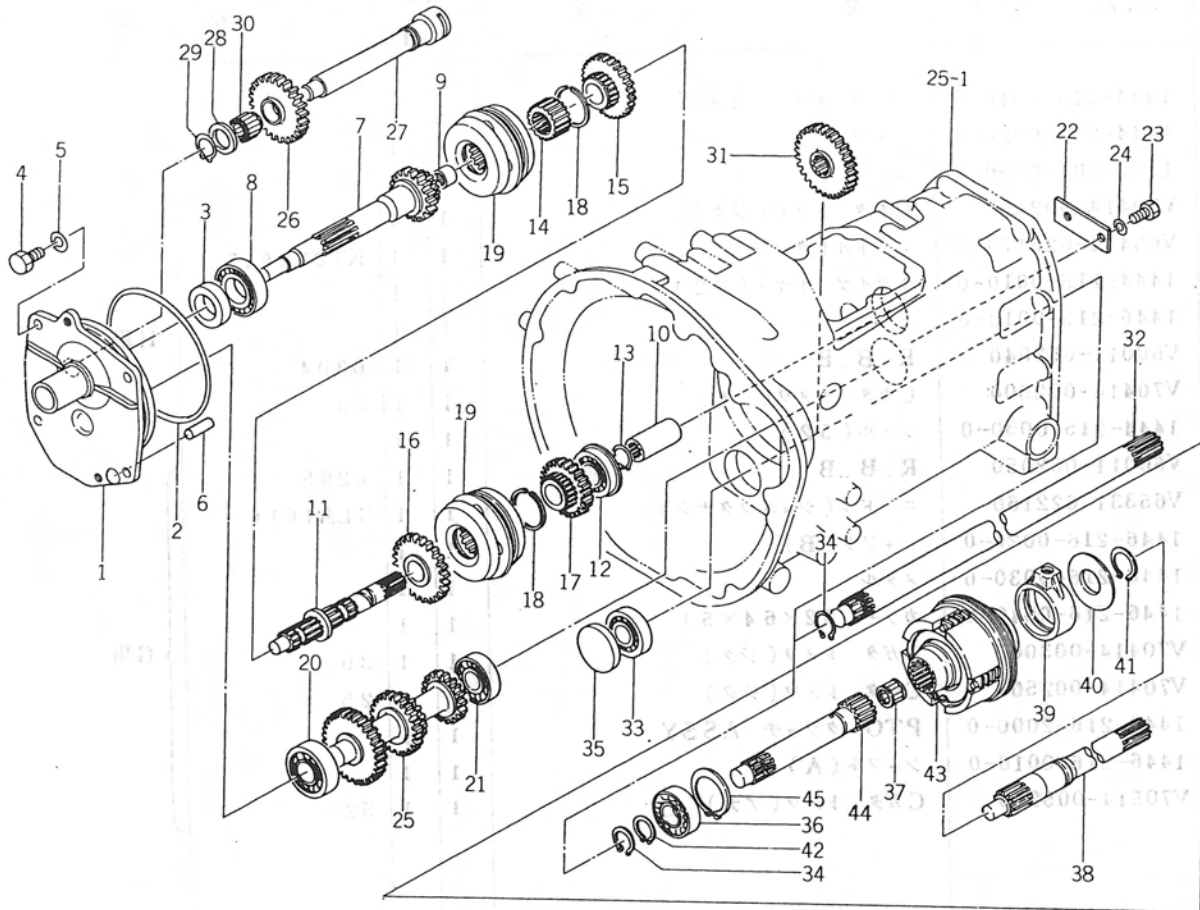
# No.30 チェンジレバ - 関係



見出番号	部品コード	品名	個数		規格	備
			C	F		
30-1	1444-218-0010-0	チェンジ カバー	1	1		
30-2	V20126-080220	コガタ ボルト	2	2	M8×22	
30-3	V20126-080400	コガタ ボルト	2	2	M8×40	
30-4	V40116-000800	S.W	4	4	M8	
30-5	V41316-000800	ナミマル ザガネ	4	4	M8	
30-6	1444-218-0020-0	チェンジ レバー	1	1		
30-7	1444-218-0030-0	プレッシャ スプリング(34)	1	1		
30-8	1427-207-0050-0	スプリング ホルダ	1	1		
30-9	1403-207-0010-0	チェンジ レバー ブーツ	1	1		
30-10	1414-207-0050-0	レバー ノブ(48)	1	1		
30-11	V58014-050400	スプリング ピン(W)	1	1	5×40	
30-12	1444-218-0040-0	チェンジ ガイド	1	1		S.F用
30-12-1	1444-219-0010-0	チェンジ ガイド	1	1		M用
30-13	1402-501-0170-0	ロックカク ボルト	4	4	M6×12	
30-14	V40116-000600	S.W	4	4	M6	
30-15	V59013-093500	テッセン	1	1	0.9×350	
30-16	1444-218-0050-0	シフト ステ- (A)	1	1		S.F用
30-16-1	1444-219-0020-0	シフト ステ-	2	2		M用
30-17	1444-218-0060-0	シフト ステ- (B)	1	1		S.F用
30-18	1444-218-0070-0	シフト	2	2		S.F用
30-18-1	1444-219-0030-0	シフト	2	2		M用
30-19	1302-225-0030-0	シフト スプリング	2	2		
30-20	V68020-000100	スチール ボール	2	2	5/16"	
30-21	1407-201-0110-0	コガタ ロックカク ボルト	4	4	M8×22	
30-22	V40116-000800	S.W	4	4	M8	
30-23	V59013-091800	テッセン	2	2	0.9×180	
30-24	1444-218-0080-0	リ-マ ボルト	2	2		
30-25	V40116-001000	S.W	2	2	M10	
30-26	V41316-001000	ナミマル ザガネ	2	2	M10	

出番号	部品コード	品名	個数		規格	備考
			C	F		
9-26	1444-213-0010-0	バックギヤ-(28)	1	1		
9-27	1444-213-0020-0	シャフト	1	1		
9-28	1365-707-0030-0	カラ-	1	1		
9-29	V70414-002000	Cガタ トメワ(ジク)	1	1		
9-30	V65442-026170	ニードル(ケーシ)	1	1	20	
9-31	1444-215-0010-0	ドライブギヤ-(32)	1	1	KT202617	
9-32	1446-215-0010-0	シャフト	1	1		
9-33	V60011-063040	R.B.B	1	1		H用
9-34	V70414-002500	Cガタ トメワ(ジク)	1	1	6304	
9-35	1444-215-0030-0	シール(52)	1	1	25	
9-36	V60011-062050	R.B.B	1	1		
9-37	V65331-622160	ニードル(シェルフタナシ)	1	1	6205	
9-38	1446-216-0020-0	シャフト(B)	1	1	TLA1616	
9-39	1446-216-0030-0	メタル	1	1		
9-40	1446-216-0040-0	カラ-(32×64×5)	1	1		
9-41	V70414-003000	Cガタ トメワ(ジク)	1	1	30	
9-42	V70414-002500	Cガタ トメワ(ジク)	1	1	25	G用
9-43	1446-216-2000-0	PTO クラッチ ASSY	1	1		
9-44	1446-216-0010-0	シャフト(A)	1	1		
9-45	V70514-005200	Cガタ トメワ(アナ)	1	1	52	

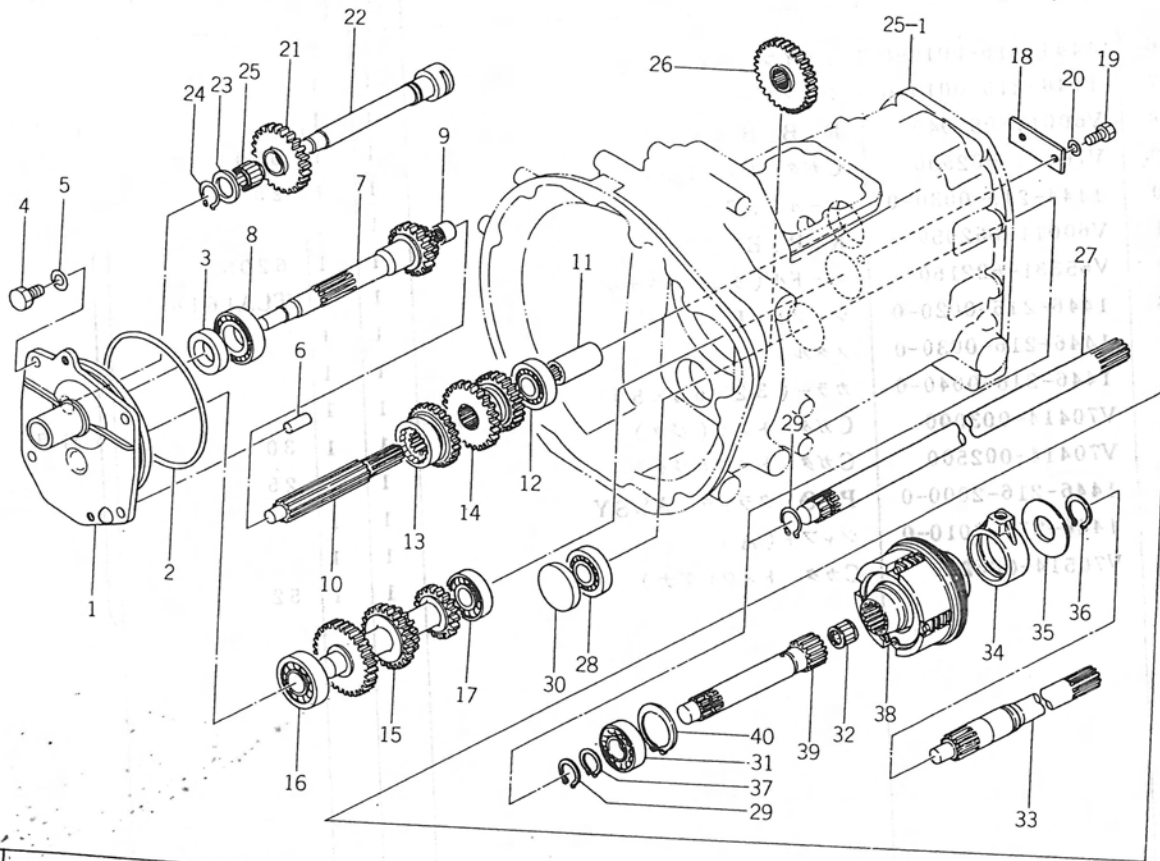
# No.29 フロントミッションギヤ-関係 (H型)



見出番号	部品コード	品名	個数		規格	備考
			C	F		
29-1	1444-207-0010-0	インプット メタル	1	1		
29-2	V72010-571500	"O"リング	1	1		
29-3	V74013-045070	オイル シール	1	1	P150	
29-4	V20126-100200	コガタ ボルト	4	4	SC30457 (AC1677EO)	
29-5	V40116-001000	S.W	4	4	M10×20	
29-6	V52010-080200	ヘイコウ ピン(A)	4	4	M10	
29-7	1444-207-0020-0	インプット ギヤ-(21)	1	1		
29-8	V60011-062060	R.B.B	1	1		
29-9	V65331-622160	ニードル(シエル フタナシ)	1	1	6206	
29-10	1421-134-0190-0	カップ リング	1	1	TLA1616	
29-11	1444-209-0010-0	チェンジ シャフト	1	1		
29-12	V60711-063040	R.B.B(トメワツキ)	1	1	6304NR	
29-13	V70414-001800	Cガタ トメワ(ジク)	1	1	18	
29-14	1444-209-0020-0	スプライン ハブ(42)	2	2		
29-15	1444-209-0030-0	ハイ ギヤ-(25)	1	1		
29-16	1444-209-0040-0	ローギヤ-(29)	1	1		
29-17	1444-209-0050-0	バック ギヤ-(20)	1	1		
29-18	1444-209-0060-0	NRリング	4	4	40	
29-19	1444-209-2000-0	シンクロ メッシュ ASSY	2	2		
29-20	V60011-063050	R.B.B	1	1	6305	
29-21	V60011-063040	R.B.B	1	1	6304	
29-22	1444-211-0020-0	ストップ	1	1		
29-23	V20126-080160	コガタ ボルト	2	2	M8×16	
29-24	V40116-000800	S.W	2	2	M8	
29-25	1444-212-0010-0	ギヤ-(31-26-22-22)	1	1		

見出番号	部品コード	品名	個数		規格	備考
			C	F		
27-26	1444-215-0010-0	ドライブギヤ(32)				
27-27	1446-215-0010-0	シャフト	1	1		
27-28	V60011-063040	R.B.B	1	1		C.F用
27-29	V70414-002500	Cガタ トメワ(ジク)	1	1	6304	
27-30	1444-215-0030-0	シール(52)	1	1	25	
27-31	V60011-062050	R.B.B	1	1		
27-32	V65331-622160	ニードル(シェルフタナシ)	1	1	6205	} G用
27-33	1446-216-0020-0	シャフト(B)	1	1	TLA1616	
27-34	1446-216-0030-0	メタル	1	1		
27-35	1446-216-0040-0	カラ(32×64×5)	1	1		
27-36	V70414-003000	Cガタ トメワ(ジク)	1	1		
27-37	V70414-002500	Cガタ トメワ(ジク)	1	1	30	
27-38	1446-216-2000-0	PTO クラッチ ASSY	1	1	25	
27-39	1446-216-0010-0	シャフト(A)	1	1		
27-40	V70514-005200	Cガタ トメワ(アナ)	1	1	52	

# No.27 フロントミッションギヤ-関係 (C.F型)

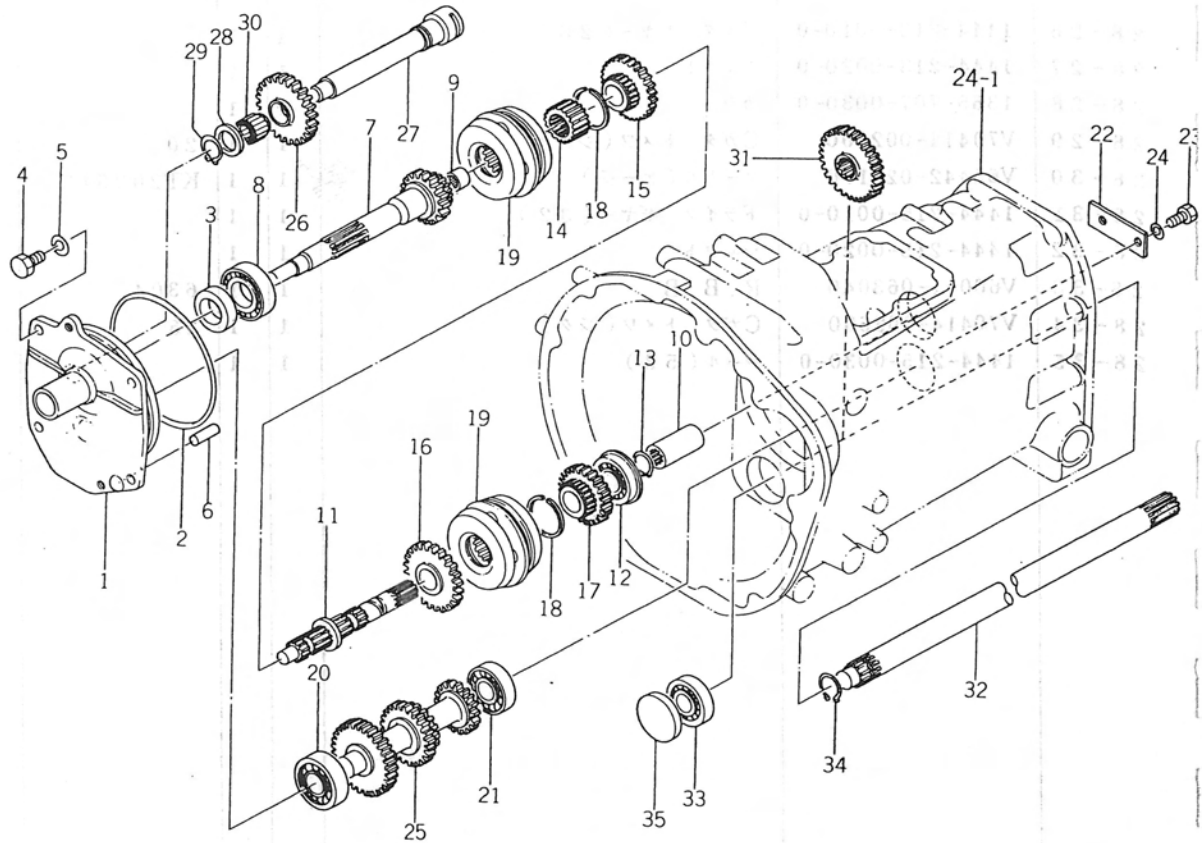


見出番号	部品コード	品名	個数		規格	備考
			C	F		
27-1	1444-207-0010-0	インプット メタル				
27-2	V72010-571500	"O"リング	1	1		
27-3	V74013-045070	オイル シール	1	1	P150	
27-4	V20126-100200	コガタ ボルト	1	1	SC30457	
27-5	V40116-001000	S.W	1	1	(AC1677EO)	
27-6	V52010-080200	S.W	4	4	M10×20	
27-7	1444-207-0020-0	ヘイコウ ピン(A)	4	4	M10	
27-8	V60011-062060	インプット ギヤ-(21)	1	1		
27-9	V65331-622160	R.B.B	1	1		
27-10	1444-208-0010-0	ニードル(シエル フタナシ)	1	1	6206	
27-11	1421-134-0190-0	チェンジ シャフト	1	1	TLA1616	
27-12	V60011-063040	カップ リング	1	1		
27-13	1444-208-0020-0	R.B.B	1	1		
27-14	1444-208-0030-0	チェンジ ギヤ-(25)	1	1	6304	
27-15	1444-208-0030-0	チェンジ ギヤ-(29-24)	1	1		
27-16	1444-211-0010-0	ギヤ-(31-26-22-22)	1	1		
27-17	V60011-063050	R.B.B	1	1		
27-18	V60011-063040	R.B.B	1	1	6305	C.F用
27-19	1444-211-0020-0	ストップ	1	1	6304	
27-20	V20126-080160	コガタ ボルト	1	1		
27-21	V40116-000800	S.W	2	2	M8×16	
27-22	1444-213-0010-0	バック ギヤ-	2	2	M8	
27-23	1444-213-0020-0	シャフト	1	1		
27-24	1365-707-0030-0	カラ-	1	1		
27-25	V70414-002000	Cガタ トメワ(ジク)	1	1		
	V65442-026170	ニードル(ケージ)	1	1	20	
			1	1	KT202617	



見出番号	部品コード	品名	個数		規格	備考
			C	F		
28-26	1444-213-0010-0	バックギヤ-(28)	1	1		
28-27	1444-213-0020-0	シャフト	1	1		
28-28	1365-707-0030-0	カラー	1	1		
28-29	V70414-002000	Cガタ トメワ(ジク)	1	1	20	
28-30	V65442-026170	ニードル(ケージ)	1	1	KT202617	
28-31	1444-215-0010-0	ドライブギヤ-(32)	1	1		
28-32	1444-215-0020-0	シャフト	1	1		
28-33	V60011-063040	R.B.B	1	1	6304	
28-34	V70414-002500	Cガタ トメワ(ジク)	1	1	25	
28-35	1444-215-0030-0	シール(52)	1	1		

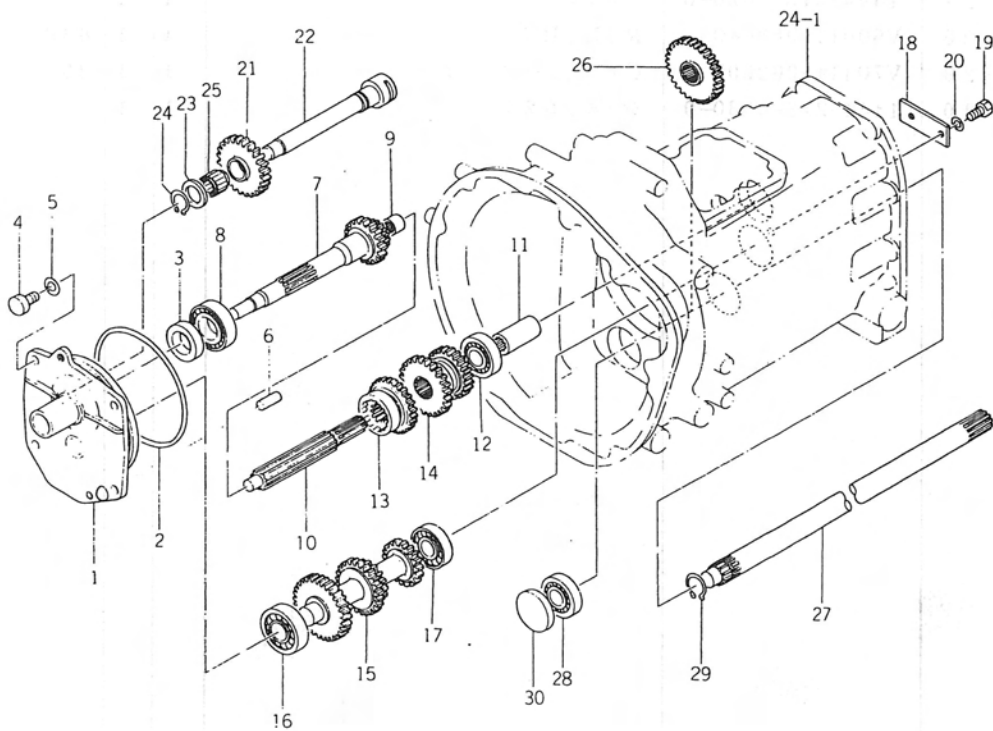
## No.28 フロントミッションギヤ関係 (H型)



見出番号	部品コード	品名	個数		規格	備考
			C	F		
28-1	1444-207-0010-0	インプット メタル	1	1		
28-2	V72010-571500	"O"リング	1	1		
28-3	V74013-045070	オイル シール	1	1	P150	
28-4	V20126-100200	コガタ ボルト	4	4	SC30457 (AC1677EO)	
28-5	V40116-001000	S.W	4	4	M10×20	
28-6	V52010-080200	ヘイコウ ピン(A)	4	4	M10	
28-7	1444-207-0020-0	インプットギヤ-(21)	1	1		
28-8	V60011-062060	R.B.B	1	1	6206	
28-9	V65331-622160	ニードル(シェル フタナシ)	1	1	TLA1616	
28-10	1421-134-0190-0	カップ リング	1	1		
28-11	1444-209-0010-0	チェンジ シャフト	1	1		
28-12	V60711-063040	R.B.B	1	1	6304NR	
28-13	V70414-001800	Cガタ トメワ(ジク)	1	1	18	
28-14	1444-209-0020-0	スプライン ハブ(42)	2	2		
28-15	1444-209-0030-0	ハイ ギヤ-(25)	1	1		
28-16	1444-209-0040-0	ロー ギヤ-(29)	1	1		
28-17	1444-209-0050-0	バック ギヤ-(24)	1	1		
28-18	1444-209-0060-0	NR リング	1	1		
28-19	1444-209-2000-0	シンクロ メッシュ ASSY	4	4	40	
28-20	V60011-063050	R.B.B	2	2		
28-21	V60011-063040	R.B.B	1	1	6305	
28-22	1444-211-0020-0	ストッパ	1	1	6304	
28-23	V20126-080160	コガタ ボルト	1	1		
28-24	V40116-000800	S.W	2	2	M8×16	
28-25	1444-212-0010-0	ギヤ-(31-26-22-22)	2	2	M8	
			1	1		

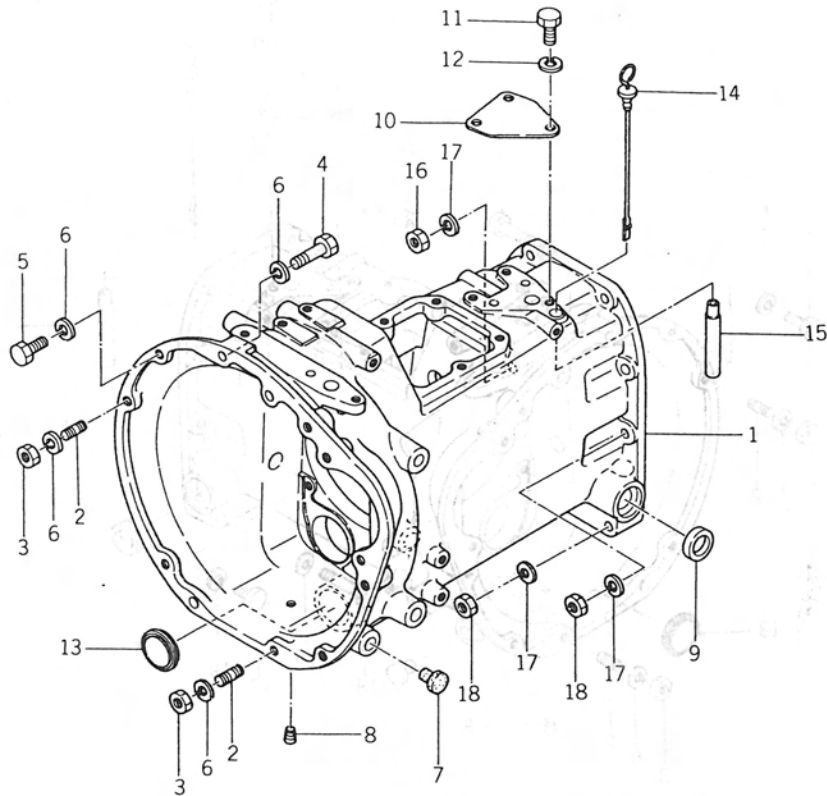
見出番号	部品コード	品名	個数		規格	備
			C	F		
26-26	1444-215-0010-0	ドライブギヤ-(32)	1	1		
26-27	1444-215-0020-0	シャフト	1	1		
26-28	V60011-063040	R.B.B	1	1	6304	
26-29	V70414-002500	Cガタ トメワ(ジク)	1	1	25	
26-30	1444-215-0030-0	シール(52)	1	1		

# No. 26 フロントミッションギヤ関係 (C.F型)



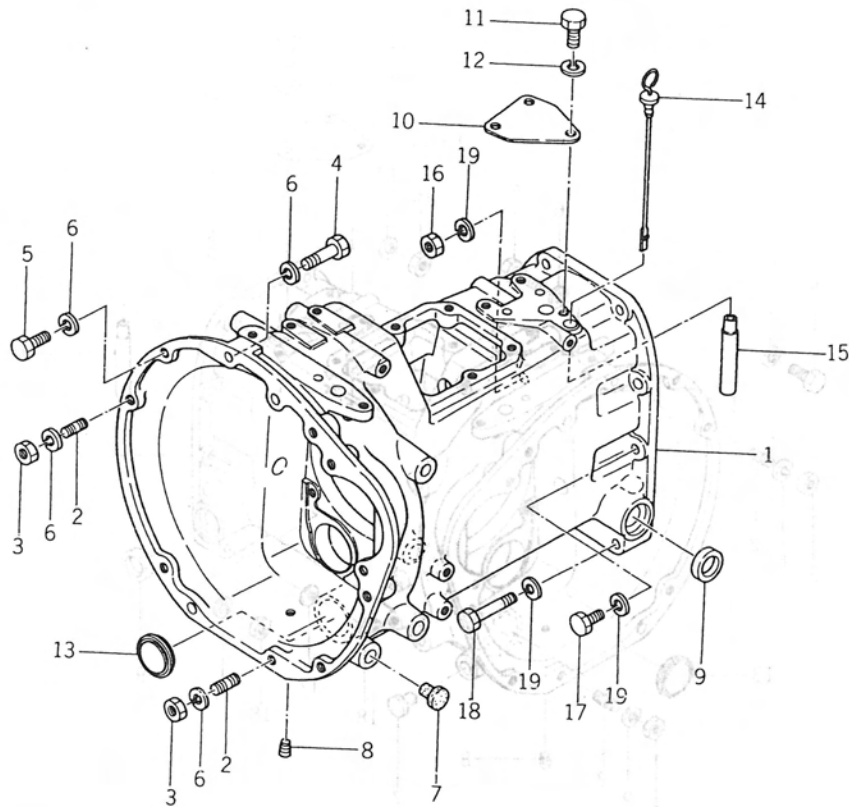
見出番号	部品コード	品名	個数		規格	備
			C	F		
26-1	1444-207-0010-0	インプット メタル	1	1		
26-2	V72010-571500	"O"リング	1	1	P150	
26-3	V74013-045070	オイル シール	1	1	SC30457 (AC1677EO)	
26-4	V20126-100200	コガタ ボルト	4	4	M10×20	
26-5	V40116-001000	S.W	4	4	M10	
26-6	V52010-080200	ヘイコウ ピン(A)	1	1		
26-7	1444-207-0020-0	インプット ギヤ-(21)	1	1		
26-8	V60011-062060	R.B.B	1	1	6206	
26-9	V65331-622160	ニードル(シェル フタナシ)	1	1	TLA1616	
26-10	1444-208-0010-0	チェンジ シャフト	1	1		
26-11	1421-134-0190-0	カップ リング	1	1		
26-12	V60011-063040	R.B.B	1	1	6304	
26-13	1444-208-0020-0	チェンジ ギヤ-(25)	1	1		
26-14	1444-208-0030-0	チェンジ ギヤ-(29-24)	1	1		
26-15	1444-211-0010-0	ギヤ-(31-26-22-22)	1	1		
26-16	V60011-063050	R.B.B	1	1	6305	
26-17	V60011-063040	R.B.B	1	1	6304	
26-18	1444-211-0020-0	ストッパ	1	1		
26-19	V20126-080160	コガタ ボルト	2	2	M8×16	
26-20	V40116-000800	S.W	2	2	M8	
26-21	1444-213-0010-0	バック ギヤ-	1	1		
26-22	1444-213-0020-0	シャフト	1	1		
26-23	1365-707-0030-0	カラ-	1	1		
26-24	V70414-002000	Cガタ トメワ(ジク)	1	1	20	
26-25	V65442-026170	ニードル(ケージ)	1	1	KT202617	

# No.25 フロントミッションケース関係



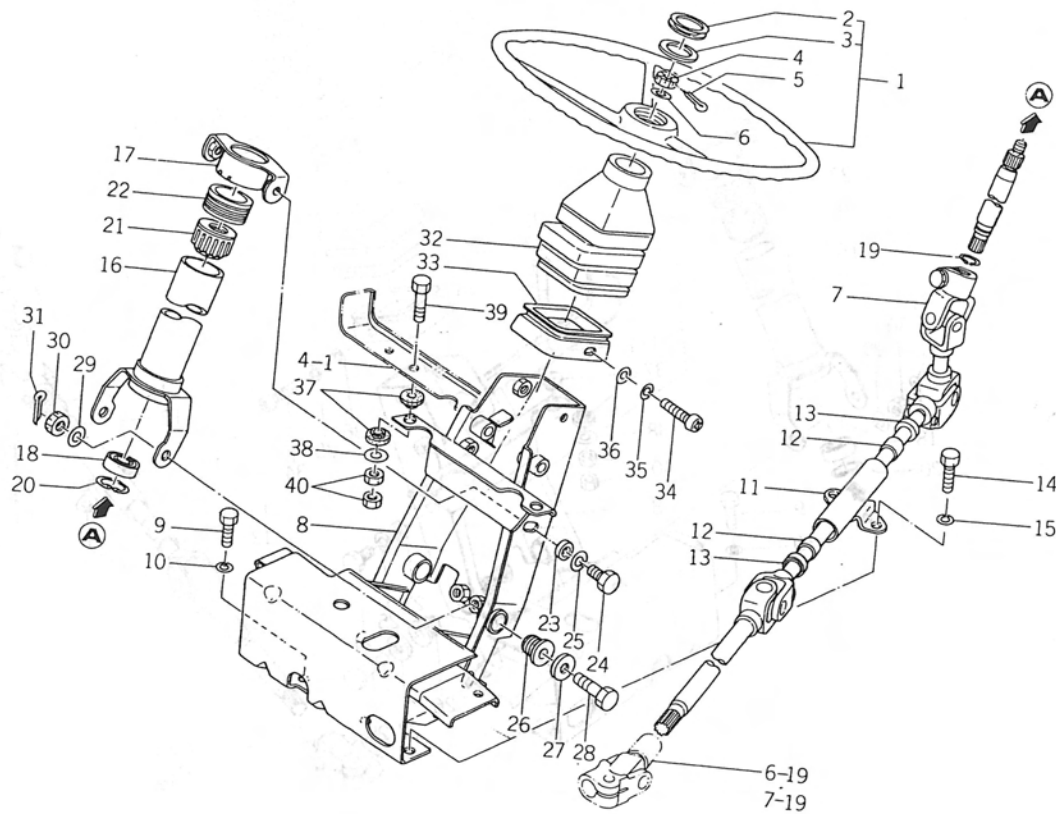
見出番号	部品コード	品名	個数		規格	備考
			C	F		
25-1	1444-201-0010-0	フロント ミッション ケース	1	1		
25-2	V25144-120280	ウエコミ ボルト	2	2	M12×28(9T) (2種)	
25-3	V30346-001200	コガタ ナット	2	2	M12 (7T)	C.F.H用 G用
25-3-1	V30046-001200	ナット	2	2	M12 7T	
25-4	V20146-120500	コガタ ボルト	1	1	M12×50(9T)	
25-5	V20146-120300	コガタ ボルト	5	5	M12×30(9T)	
25-6	V40116-001200	S.W	8	8	M12	
25-7	1427-317-0040-0	メクラセン(M14)	6	6		
25-8	1326-706-0020-0	ドレン プラグ	1	1	PT1/8	
25-9	V74412-535060	オイル シール	2	2	TC25356 (AE1292GO)	C.F.H用
25-10	1444-201-0020-0	カバー	1	1		
25-11	V20126-080120	コガタ ボルト	3	3	M8×12	
25-12	V40116-000800	S.W	3	3	M8	
25-13	1444-201-0030-0	シール(42)	1	1		
25-14	1444-201-0040-0	レベル ゲージ	1	1		
25-15	1444-201-0050-0	ゲージ パイプ	1	1		
25-16	V30346-001200	コガタ ナット	1	1	M12(7T)	
25-17	V40116-001200	S.W	10	10	M12	
25-18	V30046-001200	ナット	9	9	M12 7T	

# No.24 フロントミッションケース関係



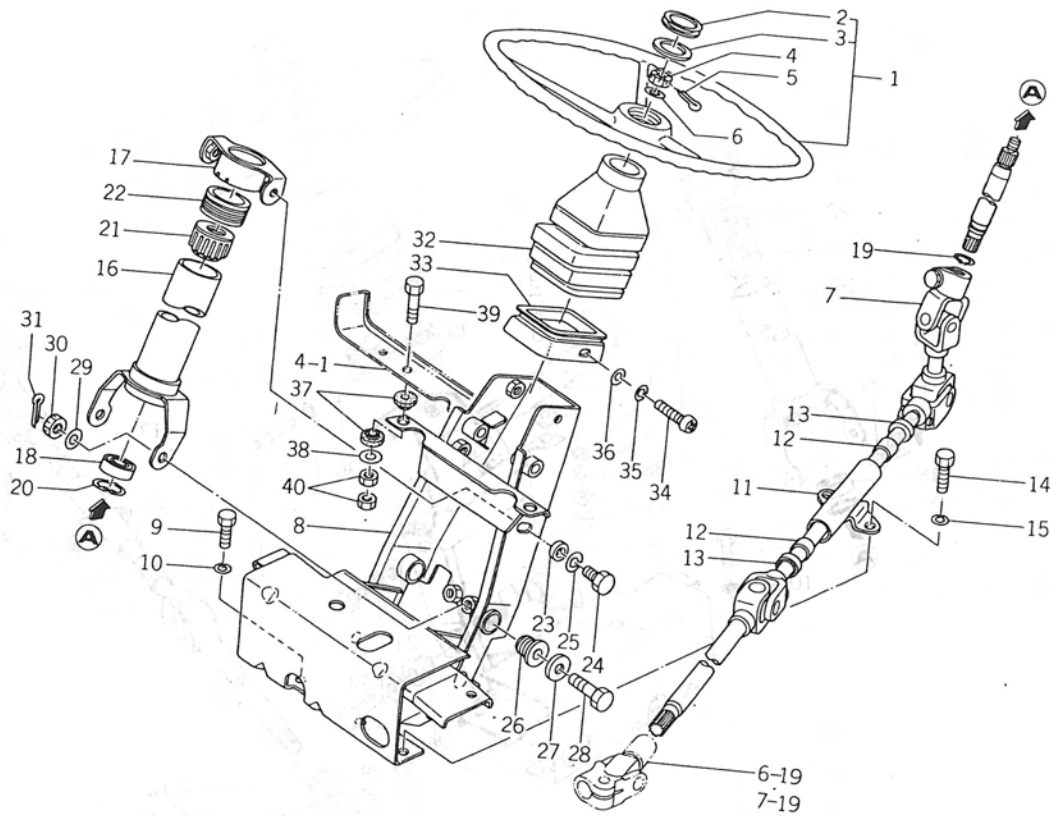
見出番号	部品コード	品名	個数		規格	備考
			C	F		
24-1	1444-201-0010-0	フロント ミッション ケース	1	1		
24-2	V25144-120280	ウエコミ ボルト	2	2	M12×28(9T) (2種)	
24-3	V30346-001200	コガタ ナット	2	2	M12 (7T)	
24-4	V20146-120500	コガタ ボルト	1	1	M12×50(9T)	
24-5	V20146-120300	コガタ ボルト	5	5	M12×30(9T)	
24-6	V40116-001200	S.W	8	8	M12	
24-7	1427-317-0040-0	メクラセン(M14)	6	6		
24-8	1326-706-0020-0	ドレン プラグ	1	1	PT1/8	
24-9	V74412-535060	オイル シール	2	2	TC25356 (AE1292GO)	
24-10	1444-201-0020-0	カバー	1	1		
24-11	V20126-080120	コガタ ボルト	3	3	M8×12	
24-12	V40116-000800	S.W	3	3	M8	
24-13	1444-201-0030-0	シール(42)	1			
24-14	1444-201-0040-0	レベル ゲージ	1	1		
24-15	1444-201-0050-0	ゲージ パイプ	1	1		
24-16	V30346-001200	コガタ ナット	1	1	M12 (7T)	
24-17	V20146-120350	コガタ ボルト	7	7	M12×35(9T)	
24-18	V20146-120600	コガタ ボルト	2	2	M12×60(9T)	
24-19	V40116-001200	S.W	10	10	M12	

# No.23 ステアリングホイール 関係



見出番号	部品コード	品名	個数		規格	備考
			C	F		
23-26	1444-406-0060-0	クッション ゴム(B)	2	2		
23-27	1444-406-0070-0	ワッシャ(11×32×4)	2	2		
23-28	1421-101-0010-0	コガタ ボルト(M10×42)	2	2		
23-29	V41316-001000	ナミマル ザガネ	2	2		
23-30	V32126-001000	ミゾツキ ナット(テイ)	2	2	M10	
23-31	V50015-200250	ワリ ピン	2	2	M10 P=1.25 (2種)	
23-32	1444-406-0090-0	ステアリング ブーツ	2	2	2×25	
23-33	1444-406-0110-0	ブーツ ホルダ	1	1		
23-34	V11116-600120	プラス ナベ コネジ	1	1		
23-35	V40116-000600	S.W	2	2	M6×12	
23-36	V41316-000600	ナミマル ザガネ	2	2	M6	
23-37	1444-601-0090-0	クッション ゴム(R)	2	2	M6	
23-38	1444-601-0110-0	ワッシャ(9×24×1.6)	4	4		
23-39	V20126-080300	コガタ ボルト	2	2		
23-40	V30226-000800	ナット	2	2	M8×30	
			4	4	M8 (3種)	

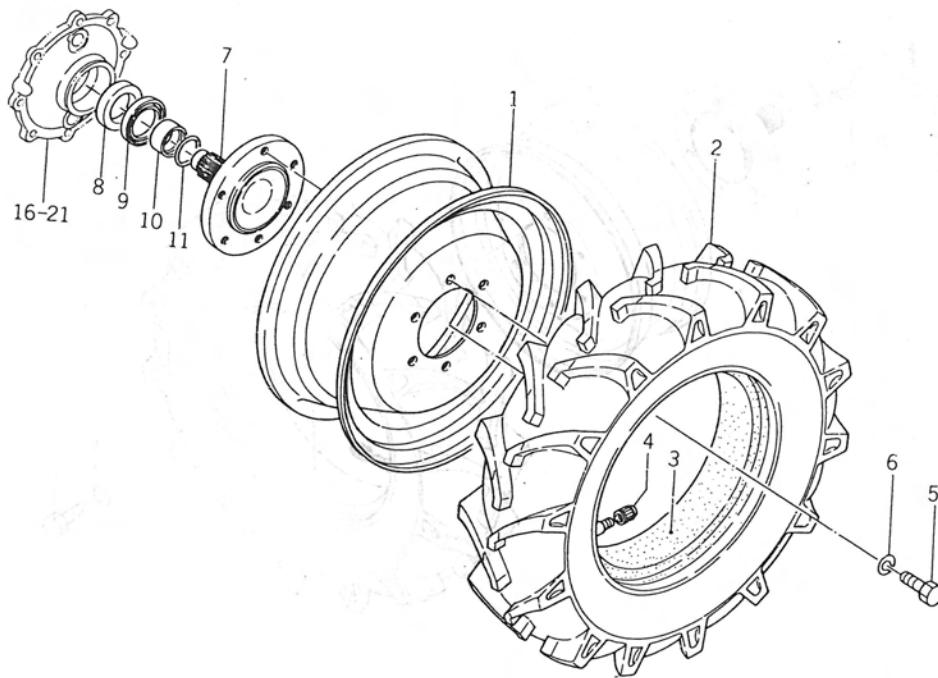
# No.23 ステアリングホイール関係



見出番号	部品コード	品名	個数		規格	備
			C	F		
23-1	1421-400-0520-0	ステアリング ホイル ASSY	1	1		
23-2	1407-406-0020-0	●ステアリング キャップ	1	1		
23-3	1407-406-0040-0	●キャップ バック	1	1		
23-4	V32126-001000	ミツツキ ナット(タイ)	1	1	M10 P=1.25	
23-5	V50015-200250	ワリ ピン	1	1	(2種)	
23-6	V41316-001000	ナミマル ザガネ	1	1	2×25	
23-7	1444-406-2000-0	ステアリング シャフト ASSY	1	1	M10	
23-8	1444-406-2200-0	ステアリング ポスト COMP	1	1		
23-9	V20126-080160	コガタ ボルト	1	1		
23-10	V40116-000800	S.W	1	1	M8×16	
23-11	1444-040-2100-0	シャフト ホルダ SET	1	1	M8	
23-12	1444-406-0010-0	ブッシュ	1	1		23-12含む
23-13	1444-406-0020-0	オイル シール	2	2		
23-14	V20126-100200	コガタ ボルト	2	2	OS17233	
23-15	V40116-001000	S.W	2	2	M10×20	
23-16	1444-406-2400-0	ステアリング パイプ	2	2	M10	
23-17	1444-406-2500-0	パイプ ホルダ COMP	1	1		
23-18	V60015-060030	R.B.B	1	1		
23-19	V70414-001700	Cガタ トメワ(ジク)	1	1	6003 2RS	
23-20	V70514-003500	Cガタ トメワ(アナ)	1	1	17	
23-21	1444-406-0030-0	ハンドル ブッシュ	1	1	35	
23-22	1444-406-0040-0	クッション ゴム(A)	1	1		
23-23	1444-406-0050-0	ワッシャ(11×20×4.5)	1	1		
23-24	V20126-100200	コガタ ボルト	2	2		
23-25	V40116-001000	S.W	2	2	M10×20	
			2	2	M10	

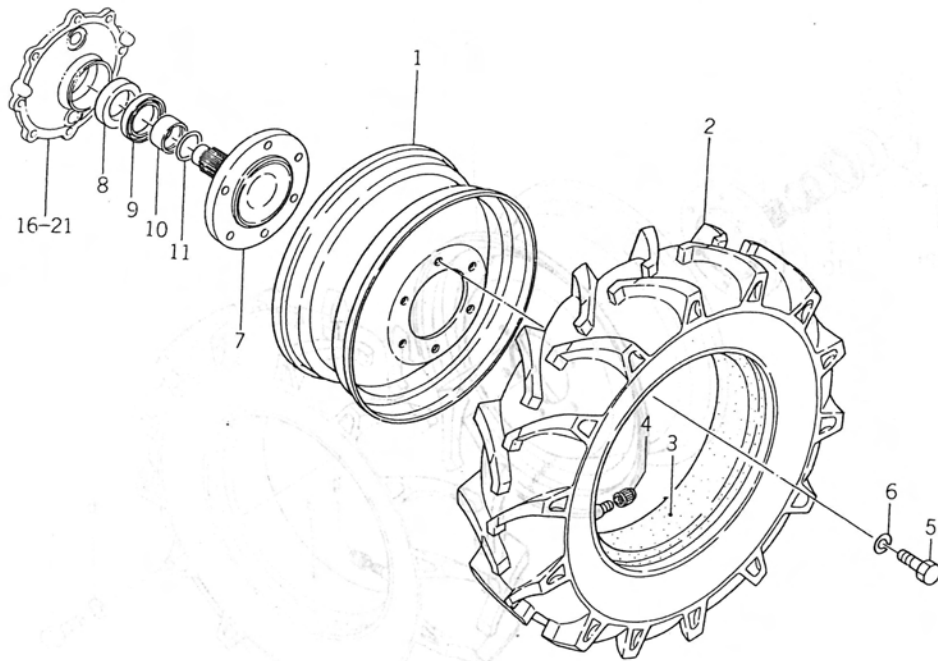


# No.22 フロントホイール関係 (F型)



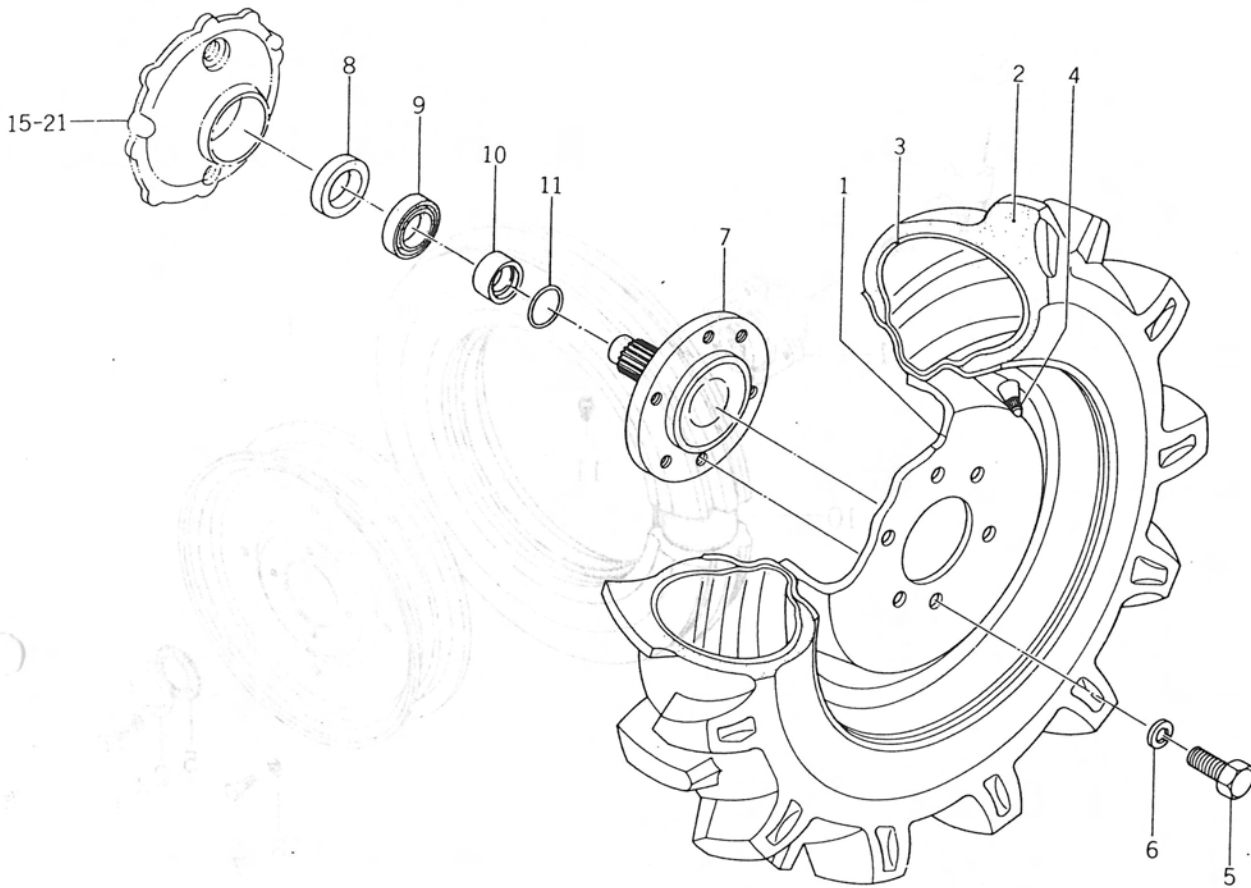
出番号	部品コード	品名	個数		規格	備考
			C	F		
2-1	1447-417-2200-1	フロント ホイル リム COMP		2		
2-2	1447-417-2110-0	タイヤ		2	7-16 4PR	
2-3	V88300-007160	チューブ		2	7-16	
2-4	V99930-000100	タイヤバルブキャップ		2	SD4212	
2-5	V20146-120250	コガタボルト		2	A形	
2-6	V40116-001200	S.W		12	M12×25	
2-7	1444-413-0140-0	ホイールシャフト		12	9T	
2-8	V74215-072090	オイルシール		2	M12	
2-9	V74415-072120	オイルシール		2	AE2861EO	
2-10	1444-413-0170-0	シールブッシュ		2	(VC50729)	
2-11	V72010-570400	"O"リング		2	AE2864AO	
				2	(IC507212)	
				2	P40	

# No.21 フロントホイール関係 (F型)



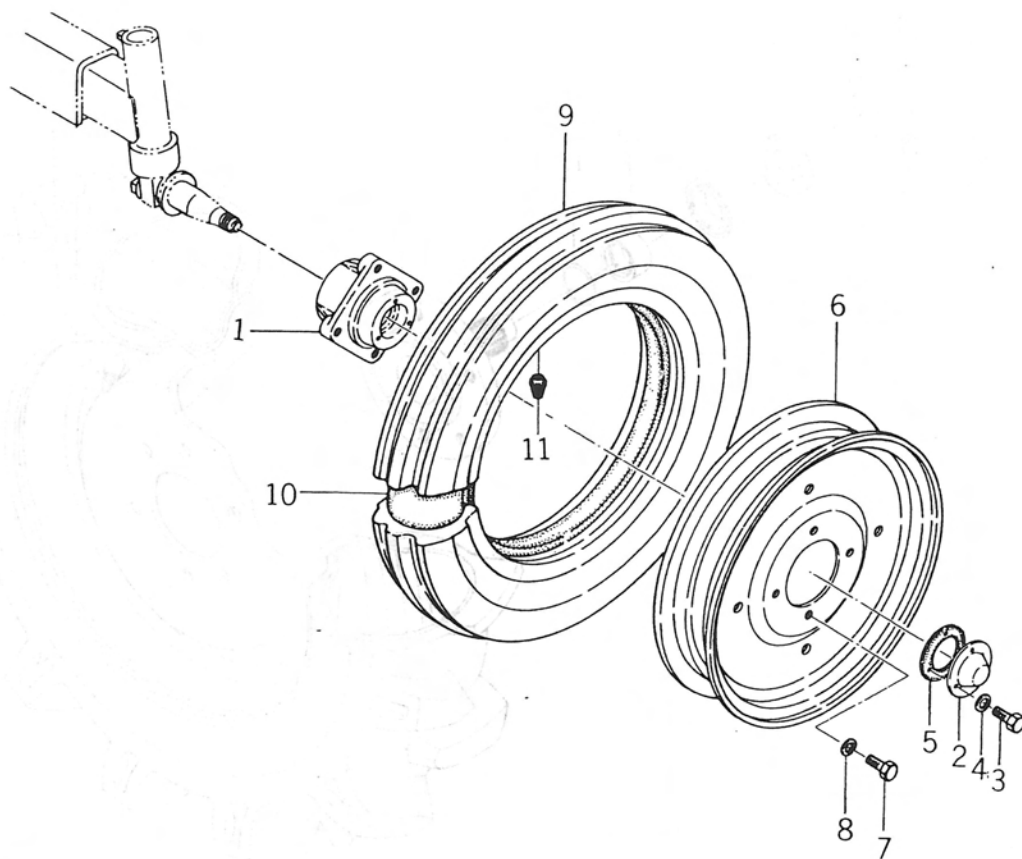
見出番号	部品コード	品名	個数		規格	備考
			C	F		
21-1	1421-438-2100-1	フロント ホイル リム COMP		2		
21-2	1446-417-2110-0	タイヤ		2	7-14-4PR	
21-3	V88300-007140-0	チューブ		2	7-14	
21-4	V99930-000100	タイヤバルブキャップ		2	JISD4212 A形	
21-5	V20146-120250	コガタボルト		12	M12×25(9T)	
21-6	V40116-001200	S.W		12	M12	
21-7	1444-413-0140-0	ホイールシャフト		2		
21-8	V74215-072090	オイルシール		2	AE2861ED (VC50729)	
21-9	V74415-072120	オイルシール		2	AE2864AD (IC507212)	
21-10	1444-413-0170-0	シールブッシュ		2		
21-11	V72010-570400	"O"リング		2	P40	

# No.20 フロントホイール関係 (F型)



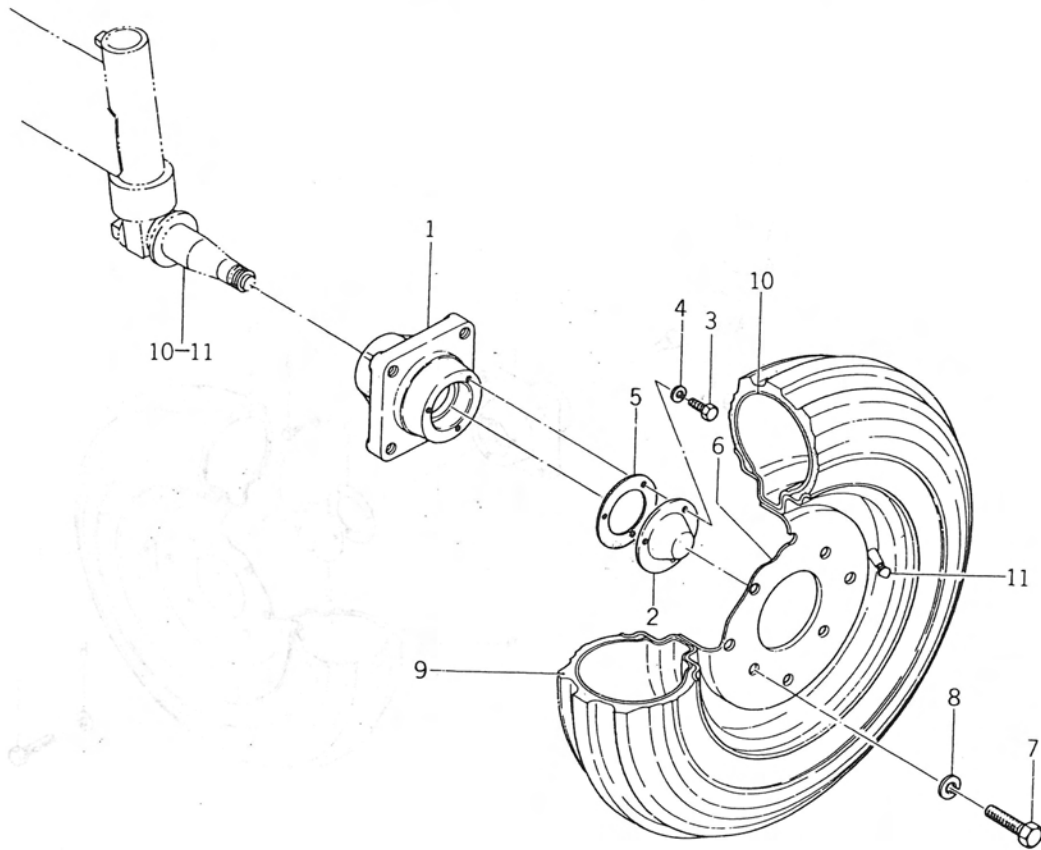
見出番号	部品コード	品名	個数		規格	備考
			C	F		
20-1	1421-438-2100-1	フロント ホイル リム COMP		2		
20-2	1421-438-2010-0	タイヤ		2	6-14-4PR	
20-3	V88300-006140-0	チューブ		2	6-14	
20-4	V99930-000100	タイヤバルブキャップ		2	JISD4212A形	
20-5	V20146-120250	コガタボルト		12	M12×25(9T)	
20-6	V40116-001200	S.W		12	M12	
20-7	1444-413-0140-0	ホイールシャフト		2		
20-8	V74215-072090	オイルシール		2	AE2861ED (VC50729)	
20-9	V74415-072120	オイルシール		2	AE2864AD (TC507212)	
20-10	1444-413-0170-0	シールブッシュ		2		
20-11	V72010-570400	"O"リング		2	P40	

# No.19 フロントホイール関係 (C型)



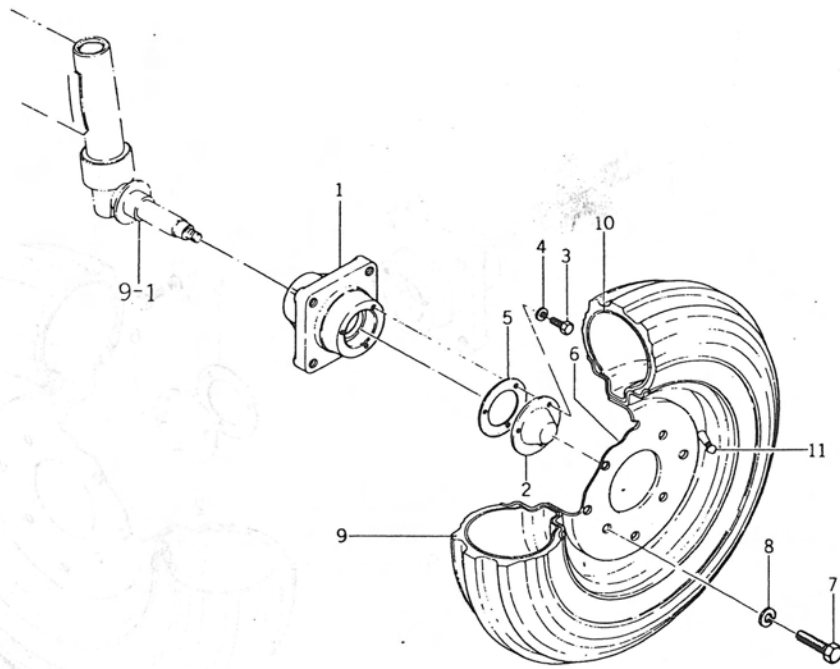
見出番号	部品コード	品名	個数		規格	備考
			C	F		
19-1	1415-411-0010-0	フロント ホイル ボス	2			
19-2	1411-411-0020-0	ホイール キャップ	2			
19-3	V20026-060120	ボルト	6		M6×12	
19-4	V40116-000600	S.W	6		M6	
19-5	1411-411-0030-0	パッキン	2			
19-6	1404-411-1000-0	フロント ホイル リム COMP	2			
19-7	V20126-120250	コガタ ボルト	8		M12×25	
19-8	V40116-001200	S.W	8		M12	
19-9	V88814-50015	タイヤ	2		4PR 5.00-15	
19-10	V88900-500150	チューブ	2		5.00-15	
19-11	V99900-000010	タイヤバルブキャップ	2			

# No.18 フロントホイール関係 (C型)



見出番号	部品コード	品名	個数		規格	備考
			C	F		
18-1	1415-411-0010-0	フロント ホイル ボス	2			
18-2	1411-411-0020-0	ホイル キャップ	2			
18-3	V20026-060120	ボルト	6		M6×12	
18-4	V40116-000600	S.W	6		M6	
18-5	1411-411-0030-0	パッキン	2			
18-6	1429-411-2100-1	ホイールドラム(300D×12)	2		DC300D×12	
18-7	V20126-120250	コガタ ボルト	8		M12×25	
18-8	V40116-001200	S.W	8		M12	
18-9	V88814-400120	タイヤ	2		4.00-12-4PR	
18-10	V88900-400120	チューブ	2		4.00-12	
18-11	V99930-000100	タイヤバルブキャップ	2		JISD4212A形	

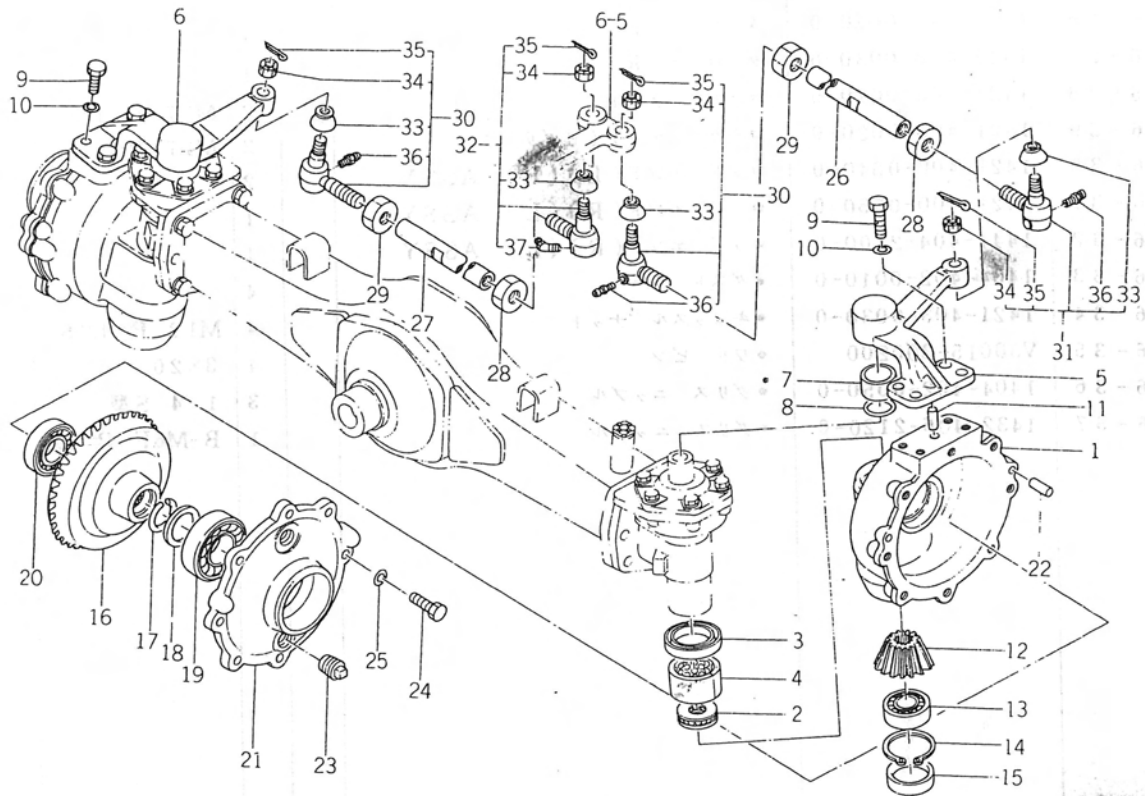
# No.17 フロントホイール関係 (C型)



見出番号	部品コード	品名	個数		規格	備
			C	F		
17-1	1412-411-0010-0	フロント ホイル ボス	2			
17-2	1411-411-0020-0	ホイール キャップ	2			
17-3	V20026-060120	ボルト	6		M6×12	
17-4	V40116-000600	S.W	6		M6	
17-5	1411-411-0030-0	パッキン	2			
17-6	1404-411-1000-0	フロント ホイール リム COMP	2			
17-7	V20126-120250	コガタ ボルト	8		M12×25	
17-8	V40116-001200	S.W	8		M12	
17-9	V88814-400150	タイヤ	2		4.00-15-4PR	
17-10	V88900-400150	チューブ	2		4.00-15	
17-11	V99930-000100	タイヤバルブキャップ	2		JISD4212A形	

見出番号	部品コード	品名	個数		規格	備考
			C	F		
16-26	1446-413-0020-0	タイロッド(L)		1		
16-27	1446-413-0030-0	タイロッド(R)		1		
16-28	1421-403-0010-0	ロクカク ナット		2	M17 P=1.5	
16-29	1421-403-0020-0	ロクカク ナット(ヒダリ ネジ)		2	M17 P=1.5	
16-30	1421-400-0540-0	ロッド エンド(L)(R) ASSY		2		
16-31	1421-400-0550-0	ロッド エンド(R)(L) ASSY		1		
16-32	1444-404-2100-0	ロッド エンド(R)(L) ASSY		1		
16-33	1404-402-0010-0	●ダスト カバー		4		
16-34	1421-403-0030-0	●キャッスル ナット		4	M12 P=1.25	
16-35	V50015-300200	●ワリ ビン		4	3×20	
16-36	1404-402-0050-0	●グリス ニップル		3	1/4 S型	
16-37	1432-406-2120-0	●グリス ニップル		1	B-M6F P=1.0	

# No.16 ファイナルケース関係 (F型)

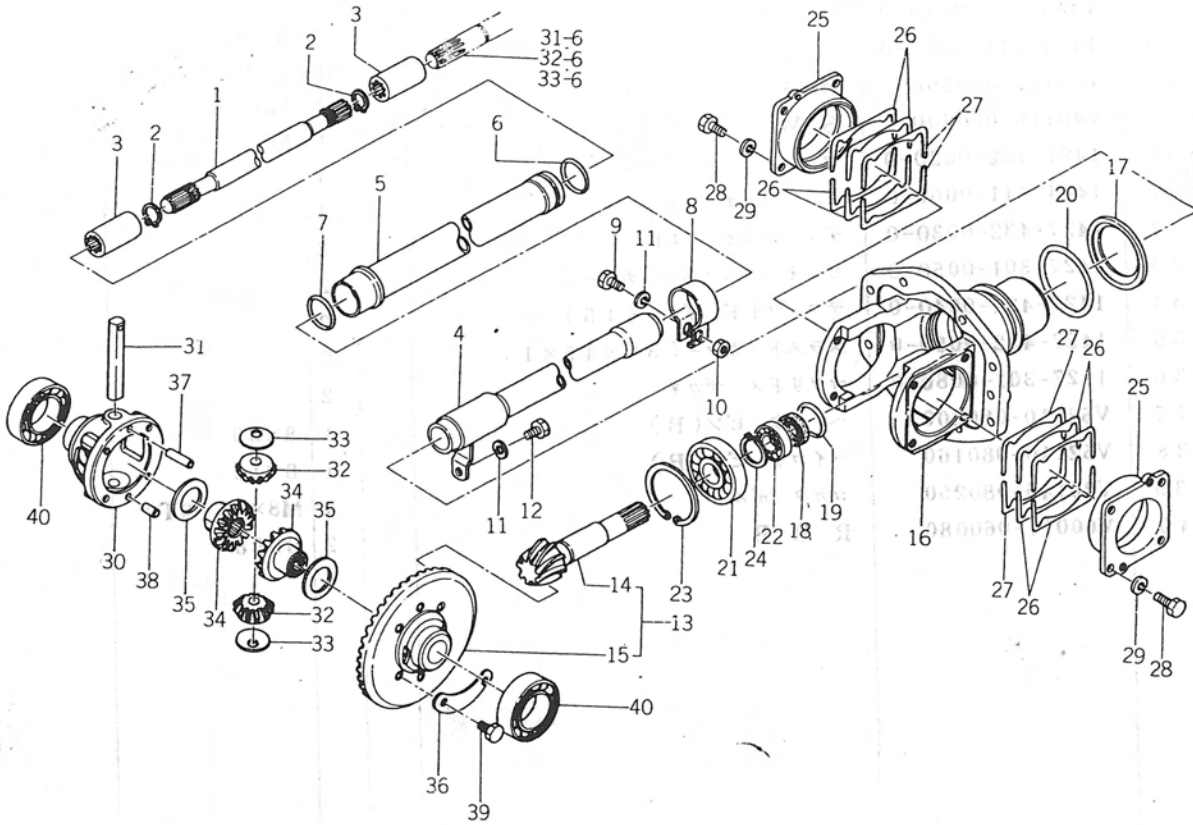


見出番号	部品コード	品名	個数		規格	備考
			C	F		
16-1	1444-041-2200-0	ファイナル ケース(B) SET		2		16-4含む
16-2	V61011-511050	ヘイメン スラスト(シングル)		2	51105	
16-3	1444-413-0080-0	オイル シール		2		
16-4	1444-413-0090-0	マキ ブッシュ(45×50×27)		2		
16-5	1444-041-2300-0	ドラッグ アーム(L)SET		1		16-7含む
16-6	1444-041-2400-0	ドラッグ アーム(R)SET		1		16-7含む
16-7	1421-433-0160-0	マキ ブッシュ(30×34×20)		2		
16-8	V72010-350300	"O"リング		2	P30	
16-9	V20146-100250	コガタ ボルト		8	M10×25(9T)	
16-10	V40116-001000	S.W		8	M10	
16-11	V52010-100220	ヘイコウ ピン(A)		2		
16-12	1444-413-0130-0	ベベル ギヤ-(16)		2		
16-13	V60011-063040	R.B.B		2	6304	
16-14	V70514-005200	Cガタ トメワ(アナ)		2	52	
16-15	1421-201-0030-0	52 シール		2		
16-16	1444-413-0150-0	ベベル ギヤ-(44)		2		
16-17	1421-433-0220-0	ストップ リング		2		
16-18	1421-433-0230-0	スラスト カラー		2		
16-19	V60011-063070	R.B.B		2	6307	
16-20	V60011-062060	R.B.B		2	6206	
16-21	1444-413-0160-0	ホイール シャフト カバー		2		
16-22	V52010-080220	ヘイコウ ピン(A)		4	8×22	
16-23	V78110-000080	アタマツキ プラグ		4	PT1/2	
16-24	V20126-100250	コガタ ボルト		16	M10×25	
16-25	V40116-001000	S.W		16	M10	



見出番号	部品コード	品名	個数		規格	備考
			C	F		
14-26	1444-411-0040-0	シム(A)		8	t=0.2	
14-27	1444-411-0050-0	シム(B)		AR	t=0.1	
14-28	V20126-080200	コガタ ボルト		8	M8×20	
14-29	V40116-000800	S.W		8	M8	
14-30	1427-432-0020-0	フロント デフ ケース		1		
14-31	1444-411-0060-0	デフ ビニオン シャフト		1		
14-32	1427-432-0030-0	デフ ビニオン(11)		2		
14-33	1427-301-0050-0	ビニオン スラスト カラー		2		
14-34	1427-432-0040-0	デフ サイド ギヤ-(15)		2		
14-35	1427-432-0050-0	スラスト カラー-(30×45×1)		2		
14-36	1427-301-0080-0	マワリドメ ザガネ		2		
14-37	V52110-080300	ヘイコウ ビン(B)		1	8×30	
14-38	V52110-080160	ヘイコウ ビン(B)		1	8×16	
14-39	V20146-080250	コガタ ボルト		4	M8×25(9T)	
14-40	V60011-060080	R.B.B		2	6008	

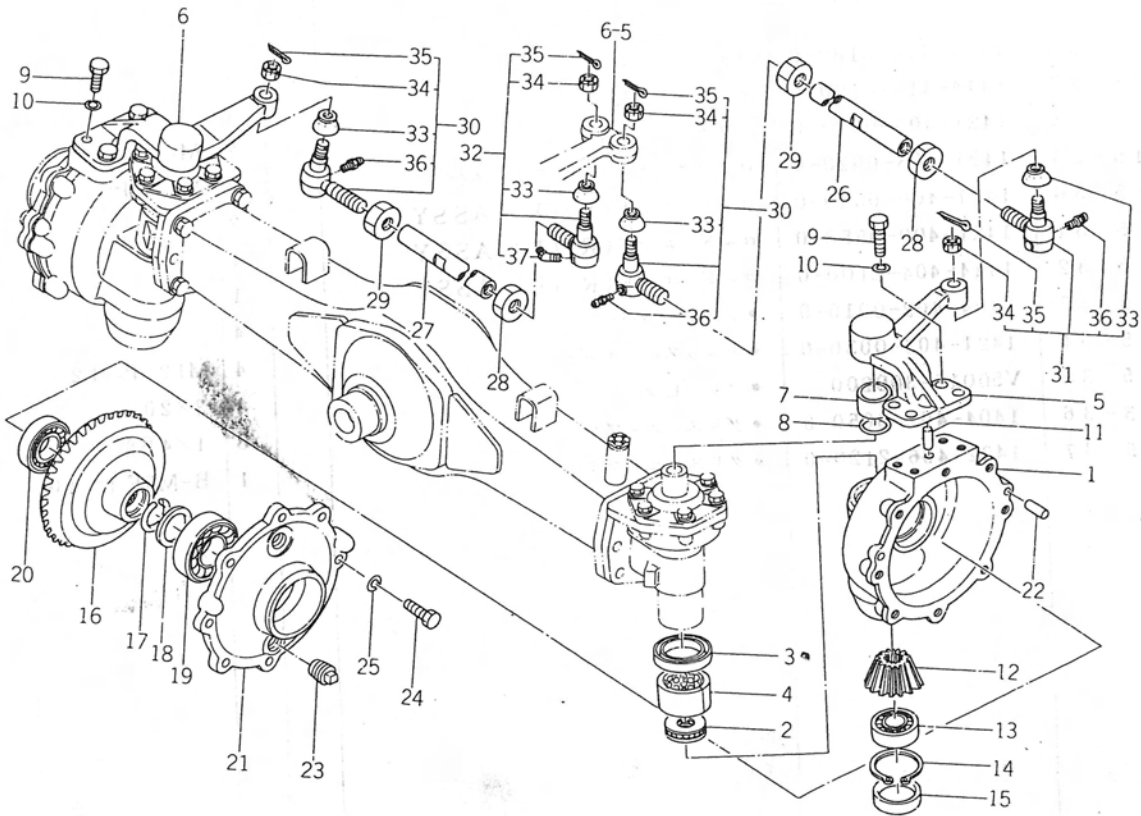
# No.14 フロントドライブシャフト関係 (F型)



見出番号	部品コード	品名	個数		規格	備考
			C	F		
14-1	1444-410-0010-0	ドライブ シャフト		1		
14-2	V70414-00200	Cガタ トメワ(ジク)		2	20	
14-3	1421-134-0190-0	カップリング		2		
14-4	1444-410-2000-0	パイプ(A) COMP		1		
14-5	1444-410-2100-0	パイプ(B) COMP		1		
14-6	V74010-350360	"O"リング		1	P36	
14-7	V74010-350340	"O"リング		1	P34	
14-8	1444-410-0020-0	クランプ		1		
14-9	V20126-080300	コガタ ボルト		1	M8×30	
14-10	V30026-000800	ナット		1	M8	
14-11	V40116-000800	S.W		2	M8	
14-12	V20126-080160	コガタ ボルト		1	M8×16	
14-13	1444-411-2000-0	ベベル ピニオン SET		1		
14-14		●ベベル ピニオン(8)		1		△
14-15		●ベベル ギヤ(38)		1		△
14-16	1444-411-0010-0	ベベル ケース		1		
14-17	1444-411-0020-0	スラスト カラー (R)		1		
14-18	V74412-035080	オイル シール		1	AE1013AO (TC20358)	
14-19	V72010-350350	"O"リング		1	P35	
14-20	V72010-570650	"O"リング		1	P65	
14-21	V60011-063050	R.B.B		1	6305	
14-22	V60011-060040	R.B.B		1	6004	
14-23	V70514-006200	Cガタ トメワ(アナ)		1	62	
14-24	V70414-002500	Cガタ トメワ(ジク)		1	25	
14-25	1444-411-0030-0	デフ メタル		2		

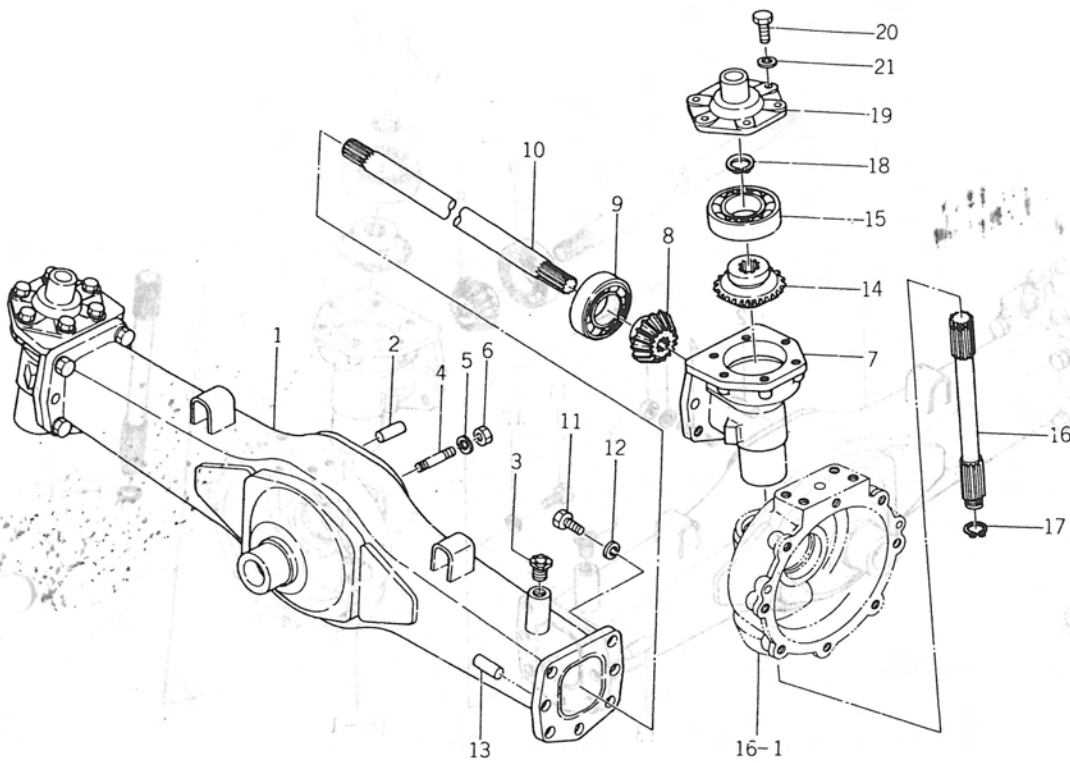
見出番号	部品コード	品名	個数		規格	備考
			C	F		
15-26	1444-413-0180-0	タイロッド(L)		1		
15-27	1444-413-0190-0	タイロッド(R)		1		
15-28	1421-403-0010-0	ロクカク ナット		2	M17 P=1.5	
15-29	1421-403-0020-0	ロクカク ナット(ヒダリ ネジ)		2	M17 P=1.5	
15-30	1421-400-0540-0	ロッド エンド(L)(R) ASSY		2		
15-31	1421-400-0550-0	ロッド エンド(R)(L) ASSY		1		
15-32	1444-404-2100-0	ロッド エンド(R)(L) ASSY		1		
15-33	1404-402-0010-0	•ダスト カバー		4		
15-34	1421-403-0030-0	•キャッスル ナット		4	M12 P=1.25	
15-35	V50015-300200	•ワリ ピン		4	3×20	
15-36	1404-402-0050-0	•グリス ニップル		3	1/4 S型	
15-37	1432-406-2120-0	•グリス ニップル		1	B-M6F P=1.0	

# No.15 ファイナルケース関係 (F型)



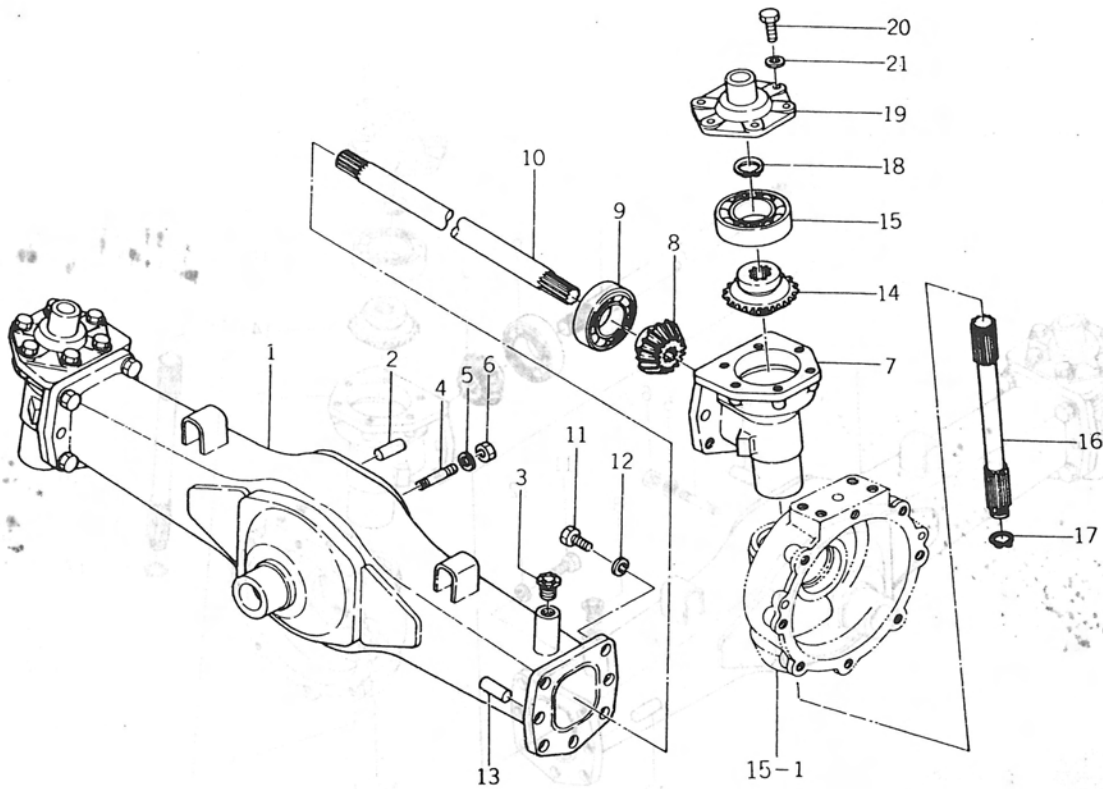
見出番号	部品コード	品名	個数		規格	備考
			C	F		
15-1	1444-041-2200-0	ファイナル ケース(B) SET				
15-2	V61011-511050	ヘイメン スラスト(シングル)		2		15-4含む
15-3	1444-413-0080-0	オイル シール		2	51105	
15-4	1444-413-0090-0	マキ ブッシュ(45×50×27)		2		
15-5	1444-041-2300-0	ドラッグ アーム(L) SET		2		
15-6	1444-041-2400-0	ドラッグ アーム(R) SET		1		15-7含む
15-7	1421-433-0160-0	マキ ブッシュ(30×34×20)		1		15-7含む
15-8	V72010-350300	"O"リング		2		
15-9	V20146-100250	コガタ ボルト		2	P 30	
15-10	V40116-001000	S.W		8	M10×25(9T)	
15-11	V52010-100220	ヘイコウ ピン(A)		8	M10	
15-12	1444-413-0130-0	ベベル ギヤ-(16)		2		
15-13	V60011-063040	R.B.B		2		
15-14	V70514-005200	Cガタ トメワ(アナ)		2	6304	
15-15	1421-201-0030-0	52 シール		2	52	
15-16	1444-413-0150-0	ベベル ギヤ-(44)		2		
15-17	1421-433-0220-0	ストップ リング		2		
15-18	1421-433-0230-0	スラスト カラー		2		
15-19	V60011-063070	R.B.B		2		
15-20	V60011-062060	R.B.B		2	6307	
15-21	1444-413-0160-0	ホイール シャフト カバー		2	6206	
15-22	V52010-080220	ヘイコウ ピン(A)		2		
15-23	V78110-000080	アタマツキ プラグ		4	8×22	
15-24	V20126-100250	コガタ ボルト		4	PT1/2	
15-25	V40116-001000	S.W		16	M10×25	
				16	M10	

# No.13 フロントアクスル関係 (F型)



見出番号	部品コード	品名	個数		規格	備考
			C	F		
13-1	1446-412-2000-0	アクスルハウジング COMP		1		
13-2	V52110-100200	ヘイコウピン(B)		2		
13-3	1444-412-0010-0	ブリーザプラグ		1	PT3/8	
13-4	1444-412-0020-0	ウエコミボルト(シーロック)		8	M1×25(2種)	
13-5	V40116-001000	S.W		8	M10	
13-6	V30026-001000	ナット		8	M10	
13-7	1444-413-0010-0	ファイナルケース(A)		2		
13-8	1444-413-0020-0	ベベルギヤ(13)		2		
13-9	V60011-062070	R.B.B		2	6207	
13-10	1446-413-0010-0	ファイナルドライブシャフト		2		
13-11	V20146-100250	コガタボルト		10	M10×25(9T)	
13-12	V40116-001000	S.W		10	M10	
13-13	V52110-100200	ヘイコウピン(B)		4		
13-14	1444-413-0040-0	ベベルギヤ(17)		2		
13-15	V60011-060090	R.B.B		2	6009	
13-16	1444-413-0050-0	カウンタシャフト		2		
13-17	V70414-002000	Cガタトメワ(ジク)		2	20	
13-18	V70414-002500	Cガタトメワ(ジク)		2	25	
13-19	1444-413-0060-0	ベアリングカバー		2		
13-20	V20126-080200	コガタボルト		12	M8×20	
13-21	V40116-000800	S.W		12	M8	

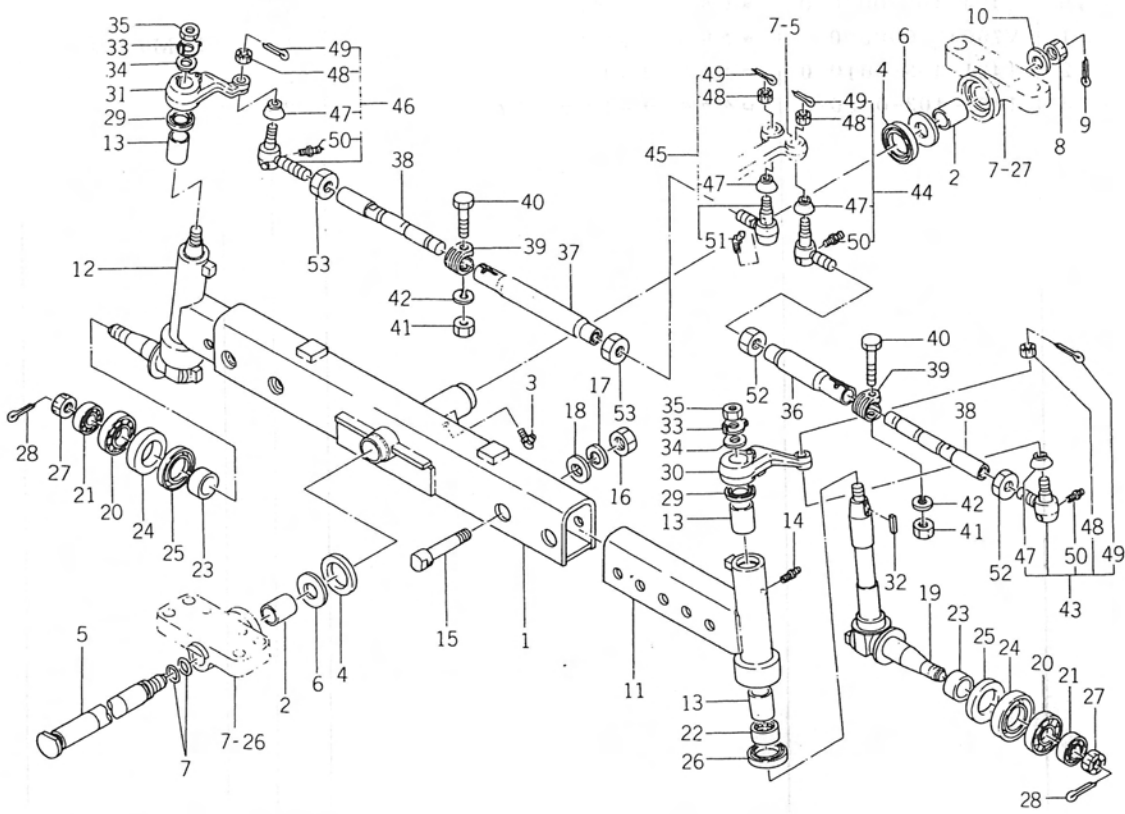
# No.12 フロントアクスル関係 (F型)



見出番号	部品コード	品名	個数		規格	備考
			C	F		
12-1	1444-412-2000-0	アクスルハウジング COMP		1		
12-2	V52110-100200	ヘイコウピン(B)		2		
12-3	1444-412-0010-0	ブリーザプラグ		1	PT3/8	
12-4	1444-412-0020-0	ウエコミボルト(シーロック)		8	M10×25(2種)	
12-5	V40116-001000	S.W		8	M10	
12-6	V30026-001000	ナット		8	M10	
12-7	1444-413-0010-0	ファイナルケース(A)		2		
12-8	1444-413-0020-0	ベベルギヤ-(13)		2		
12-9	V60011-062070	R.B.B		2	6207	
12-10	1444-413-0030-0	ファイナルドライブシャフト		2		
12-11	V20146-100250	コガタボルト		10	M10×25(9T)	
12-12	V40116-001000	S.W		10	M10	
12-13	V52110-100200	ヘイコウピン(B)		4		
12-14	1444-413-0040-0	ベベルギヤ-(17)		2		
12-15	V60011-060090	R.B.B		2	6009	
12-16	1444-413-0050-0	カウンタシャフト		2		
12-17	V70414-002000	Cガタトメワ(ジク)		2	20	
12-18	V70414-002500	Cガタトメワ(ジク)		2	25	
12-19	1444-413-0060-0	ベアリングカバー		2		
12-20	V20126-080200	コガタボルト		12	M8×20	
12-21	V40116-000800	S.W		12	M8	

見出番号	部品コード	品名	個数		規格	備考
			C	F		
11-50	1404-402-0050-0	•グリス ニップル	1		B-M6 F形	
11-51	V76640-000000	•グリス ニップル	1			
11-52	1421-403-0010-0	ロクカク ナット	2			
11-53	1421-403-0020-0	ロクカク ナット(ヒダリネジ)	2			

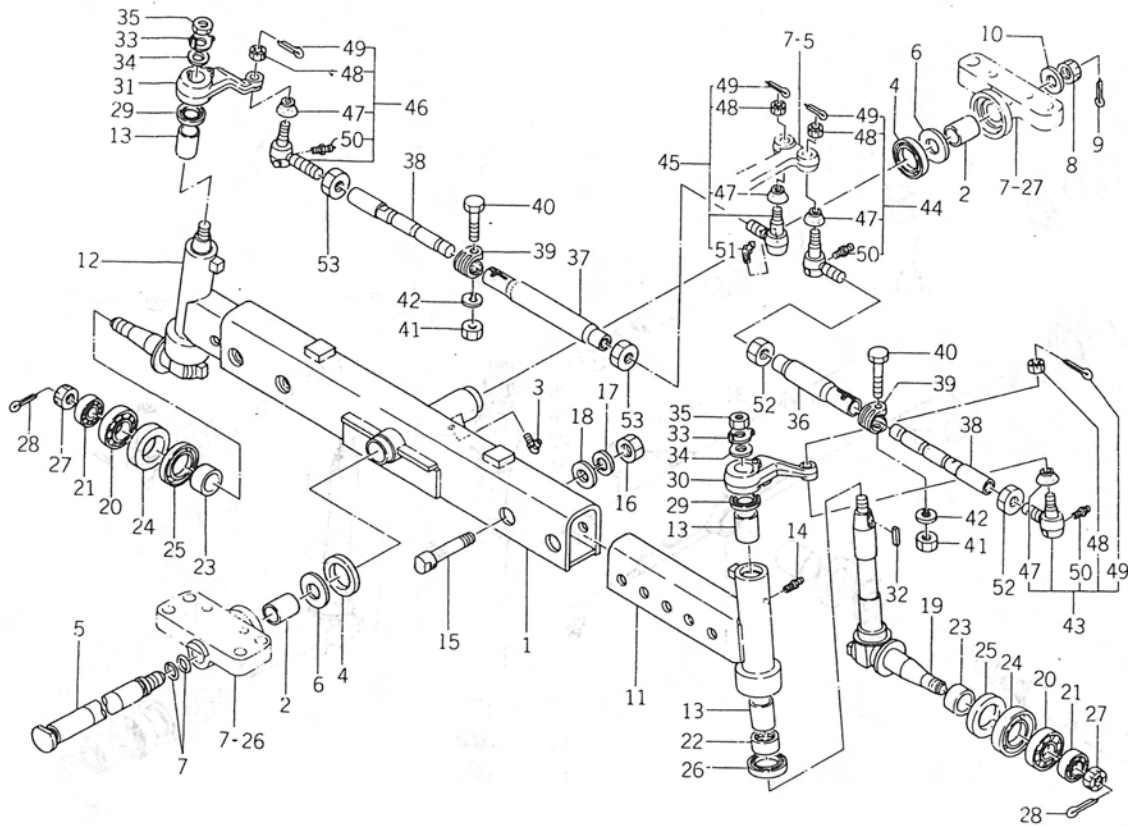
# No.11 フロントアクスル関係



見出番号	部品コード	品名	個数		規格	備考
			C	F		
11-26	V74414-255090	オイル シール	2		AE2483EO)	
11-27	V32126-002000	ミヅキ ナット(テイ)	2		(TC42559)	
11-28	V50015-400400	ワリ ビン	2		M20 P=1.5	
11-29	1421-433-0310-0	オイル シール	2		4×40	
11-30	1446-404-0010-0	ドラッグ アーム(L)	1			
11-31	1446-404-0020-0	ドラッグ アーム(R)	1			
11-32	1326-708-0050-0	ロータリ トップ シャフト キー	2			
11-33	1404-401-0170-0	M16 ワッシャ(B)	2			
11-34	1405-401-0060-0	M6 ワッシャ	2			
11-35	V33026-001600	ロックナット(ホソメ)	2		M16	
11-36	1447-404-0010-0	タイロッド チューブ(L)	1			
11-37	1447-404-0020-0	タイロッド チューブ(R)	1			
11-38	1447-404-2000-0	タイロッド COMP	2			
11-39	1415-403-0050-0	タイロッド セット メタル	2			
11-40	1403-401-0270-0	タイロッド セット ボルト	2			
11-41	V30046-001000	ナット	2		M10 7T	
11-42	V40116-001000	S.W	2		M10	
11-43	1421-400-0540-0	ロッド エンド(L)(R) ASSY	1			
11-44	1444-404-2100-0	ロッド エンド(R)(L) ASSY	1			
11-45	1423-400-0520-0	ロッド エンド(R)(R) ASSY	1			
11-46	1447-404-2100-0	ロッド エンド(L)(L) ASSY	1			
11-47	1404-402-0010-0	ダスト カバー	1			
11-48	1421-403-0030-0	キャッスル ナット	1			
11-49	V50015-30020	ワリ ビン	1		3×20	

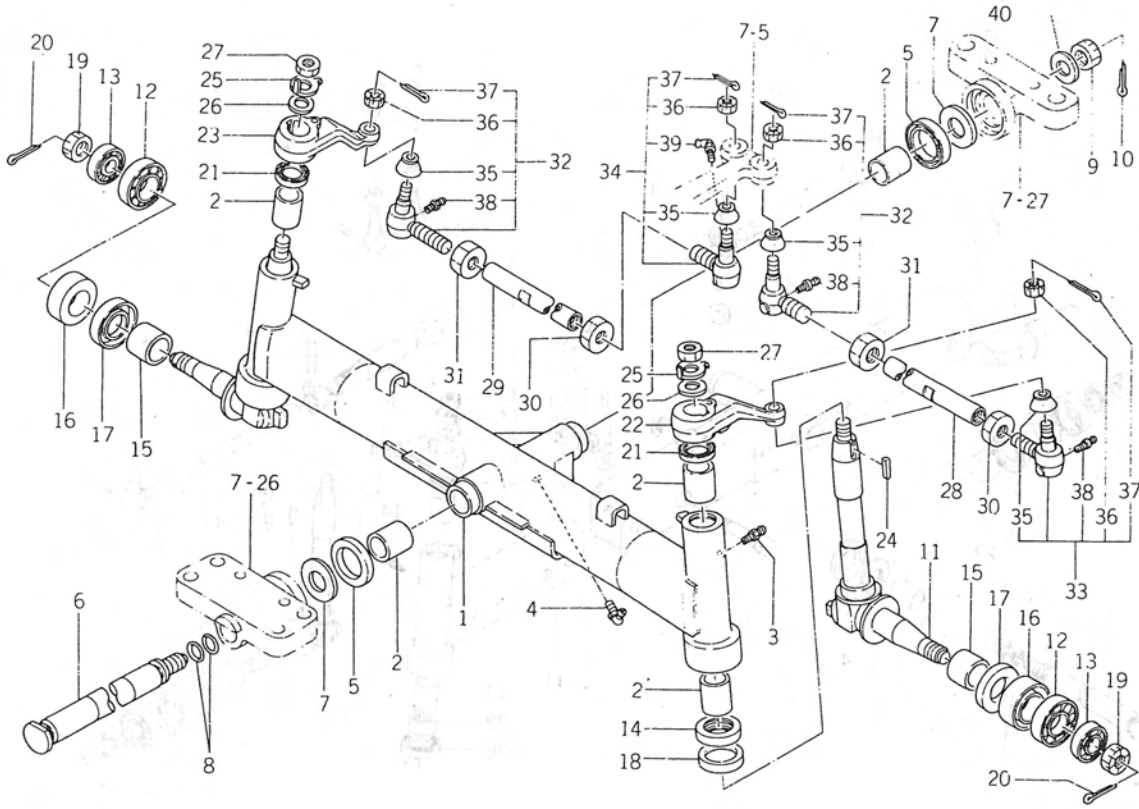


# No.11 フロントアクスル関係



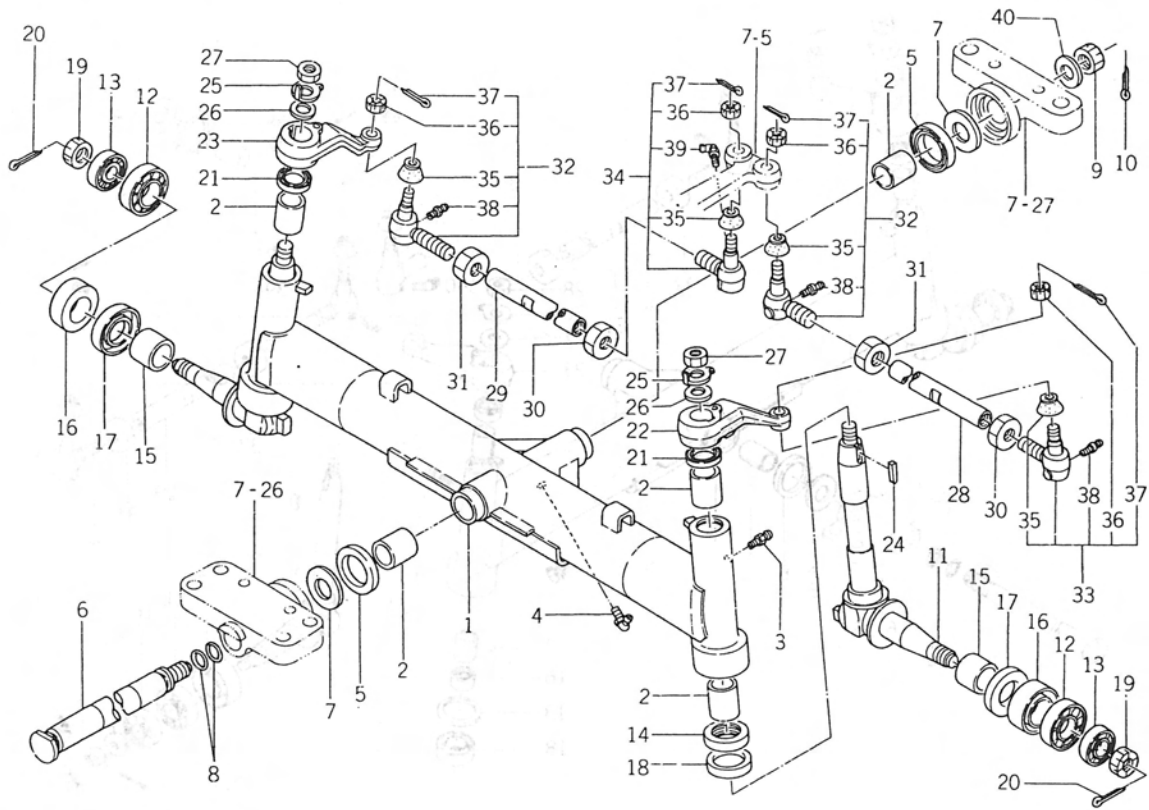
出番号	部品コード	品名	個数		規格	備考
			C	F		
11-1	1447-040-2000-0	フロント アクスル SET				
11-2	1407-402-0010-0	マキ ブッシュ(30×34×40)	1			11-2 含む
11-3	V76340-000000	グリス ニップル	2			
11-4	V74214-560060	オイル シール	1		B-PT $\frac{1}{8}$	
11-5	1446-402-0030-0	センタ ピボット	2		VC45606 (AG2640EO)	
11-6	1415-401-0040-0	ピボット カラー	1			
11-7	V72010-350240	"O"リング	2			
11-8	V32026-002000	ミゾツキ ナット(コウ)	2		P24	
11-9	V50015-400400	ワリ ピン	1		M20	
11-10	1415-401-0030	ザガネ(21×42×6)	1		P=1.5	
11-11	1447-040-2100-0	アクスル エンド(L) SET	1		4×40	
11-12	1447-040-2200-0	アクスル エンド(R) SET	1			11-13 含む
11-13	1407-402-0010-0	マキ ブッシュ(30×34×40)	1			11-13 含む
11-14	V76140-000000	グリス ニップル	4			
11-15	1426-402-0010-0	ボルト(16×85)	2		A-PT $\frac{1}{8}$	
11-16	V30046-001600	ナット	4			
11-17	V40116-001600	S.W	4		M16 7T	
11-18	1404-401-0170-0	M16ヨウ ワッシャ(B)	4		M16	
11-19	1446-404-2000-0	ナックル スピンドル COMP	4			
11-20	V63011-302060	エンスイ コロジク ウケ(ナミハバ)	2			
11-21	V63011-30204	エンスイ コロジク ウケ(ナミハバ)	2		30206	
11-22	1415-403-0020-0	T.B.B	2		30204	
11-23	1415-403-0060-0	スリーブ	2			
11-24	V74414-065120	オイルシール	2			
11-25	V74214-065050	オイルシール	2		AE2403FO (TC406512) AG2399EO (VC4065)	

# No 10 フロントアクスル関係



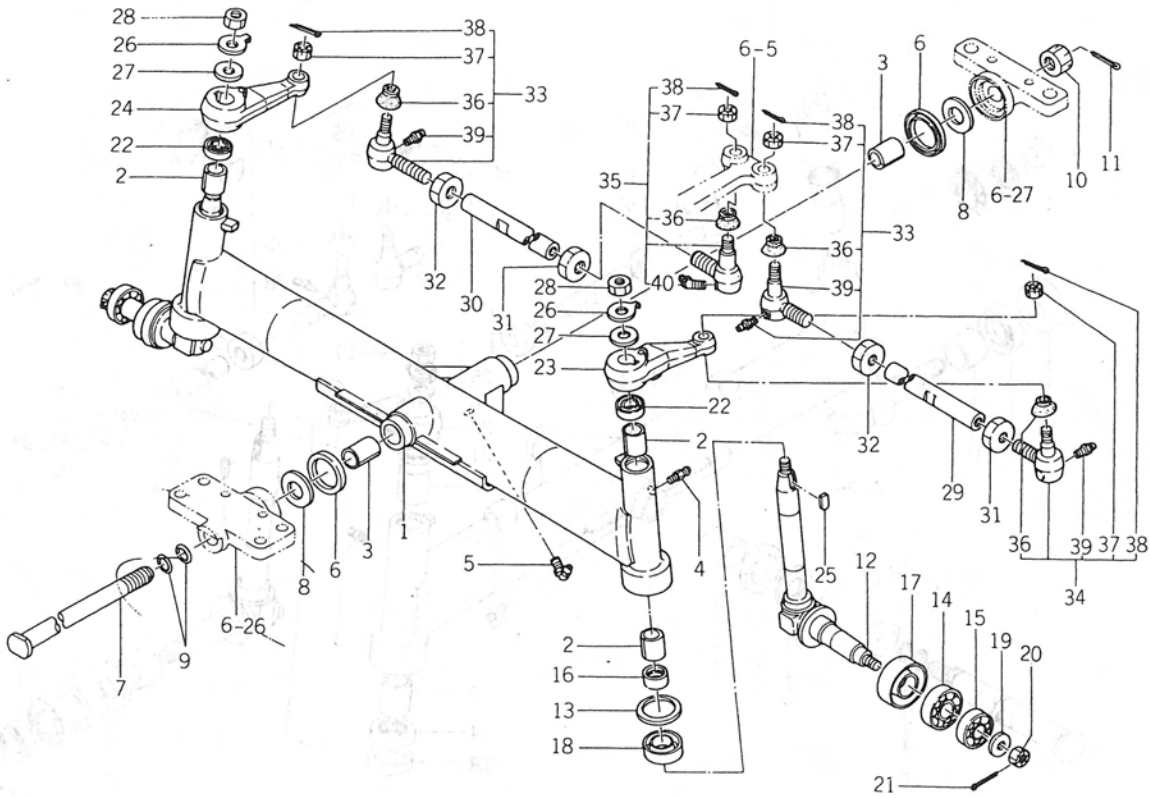
見出番号	部品コード	品名	個数		規格	備考
			C	F		
10-26	1405-401-0060-0	M16 ワッシャ	2			
10-27	V33026-001600	ロックナット(ホソメ)	2		M16	
10-28	1444-413-0180-0	タイロッド(L)	1			
10-29	1444-413-0190-0	タイロッド(R)	1			
10-30	1421-403-0010-0	ロックナット	2		M17 P=1.5	
10-31	1421-403-0020-0	ロックナット(ヒダリネジ)	2		M17 P=1.5	
10-32	1421-400-0540-0	ロッドエンド(L)(R)ASSY	2			
10-33	1421-400-0550-0	ロッドエンド(R)(L)ASSY	1			
10-34	1444-404-2100-0	ロッドエンド(R)(L)ASSY	1			
10-35	1404-402-0010-0	•ダストカバー	4			
10-36	1421-403-0030-0	•キャスルナット	4		M12 P=1.25	
10-37	V50015-300200	•ワリピン	4		3×20	
10-38	1404-402-0050-0	•グリスニップル	3		LS型	
10-39	V76640-000000	•グリスニップル	1		B-M6 F形	
10-40	1415-401-0030-0	ザガネ(21×42×6)	1			

# No.10 フロントアクスル関係



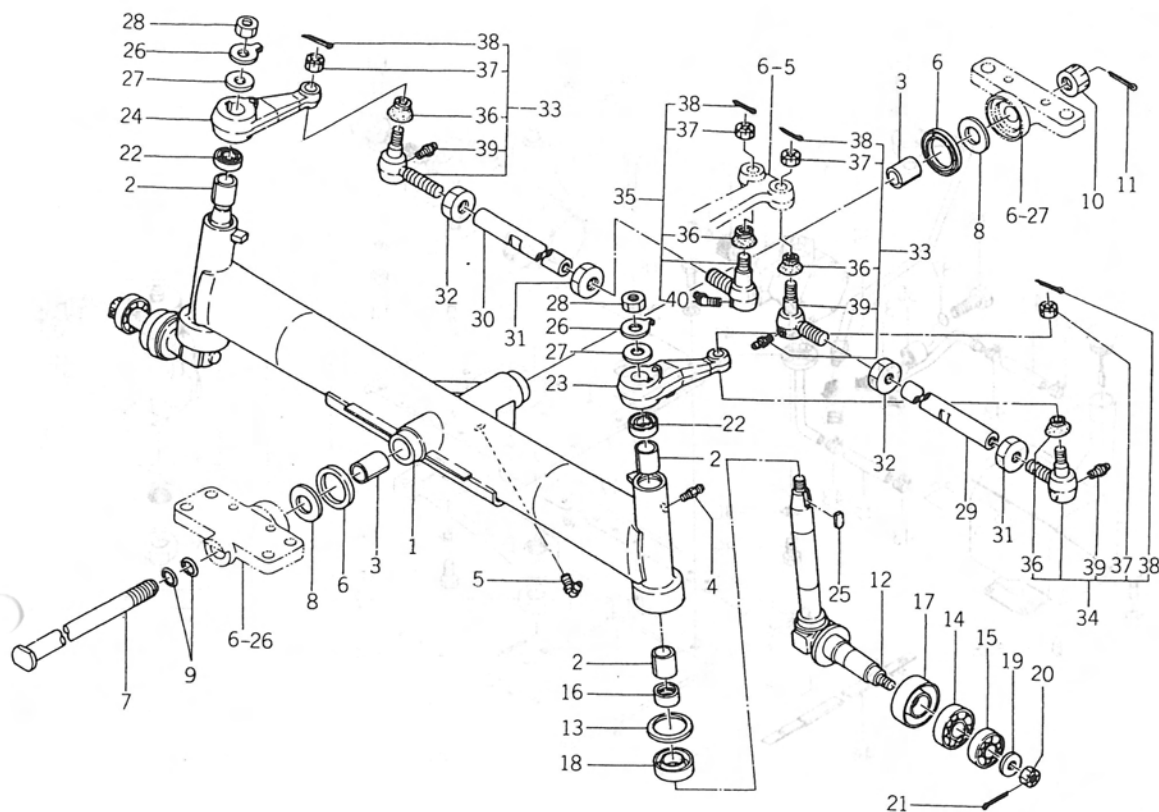
見出番号	部品コード	品名	個数		規格	備考
			C	F		
10-1	1446-040-2000-0	フロント アクスル SET	1			10-2含む
10-2	1407-402-0010-0	マキ ブッシュ (30×34×40)	6			
10-3	V76140-000000	グリス ニップル	2		A-PT $\frac{1}{8}$	
10-4	V76340-000000	グリス ニップル	1		B-PT $\frac{1}{8}$	
10-5	V74214-560060	オイル シール	2		VC45606 (AG2640EO)	
10-6	1446-402-0030-0	センタ ピボット	1			
10-7	1415-401-0040-0	ピボット カラー	2			
10-8	V72010-350240	"O"リング	2		P24	
10-9	V32026-002000	ミゾツキ ナット(コウ)	1		M20 P=1.5	
10-10	V50015-400400	ワリ ピン	1		4×40	
10-11	1446-404-2000-0	ナックル スピンドル COMP	2			
10-12	V63011-302060	エンスイ コロジク ウケ(ナミハバ)	2		30206	
10-13	V63011-302040	エンスイ コロジク ウケ(ナミハバ)	2		30204	
10-14	1415-403-0020-0	T.B.B	2			
10-15	1415-403-0060-0	スリーブ	2			
10-16	V74414-065120	オイル シール	2		AE2403FO (TC406512)	
10-17	V74214-065050	オイル シール	2		AG2399EO (VC40655)	
10-18	V74414-255090	オイル シール	2		AE2483EO (TC42559)	
10-19	V32126-002000	ミゾツキ ナット(タイ)	2		M20 P=1.5	
10-20	V50015-400400	ワリ ピン	2		4×40	
10-21	1421-433-0310-0	オイル シール	2		OS30374	
10-22	1446-404-0010-0	ドラッグ アーム(L)	1			
10-23	1446-404-0020-0	ドラッグ アーム(R)	1			
10-24	1326-708-0050-0	ロータリ トップ シャフト キー	2			
10-25	1404-401-0170-0	M16 ワッシャ(B)	2			

## No. 9 フロントアクスル関係 (C型)



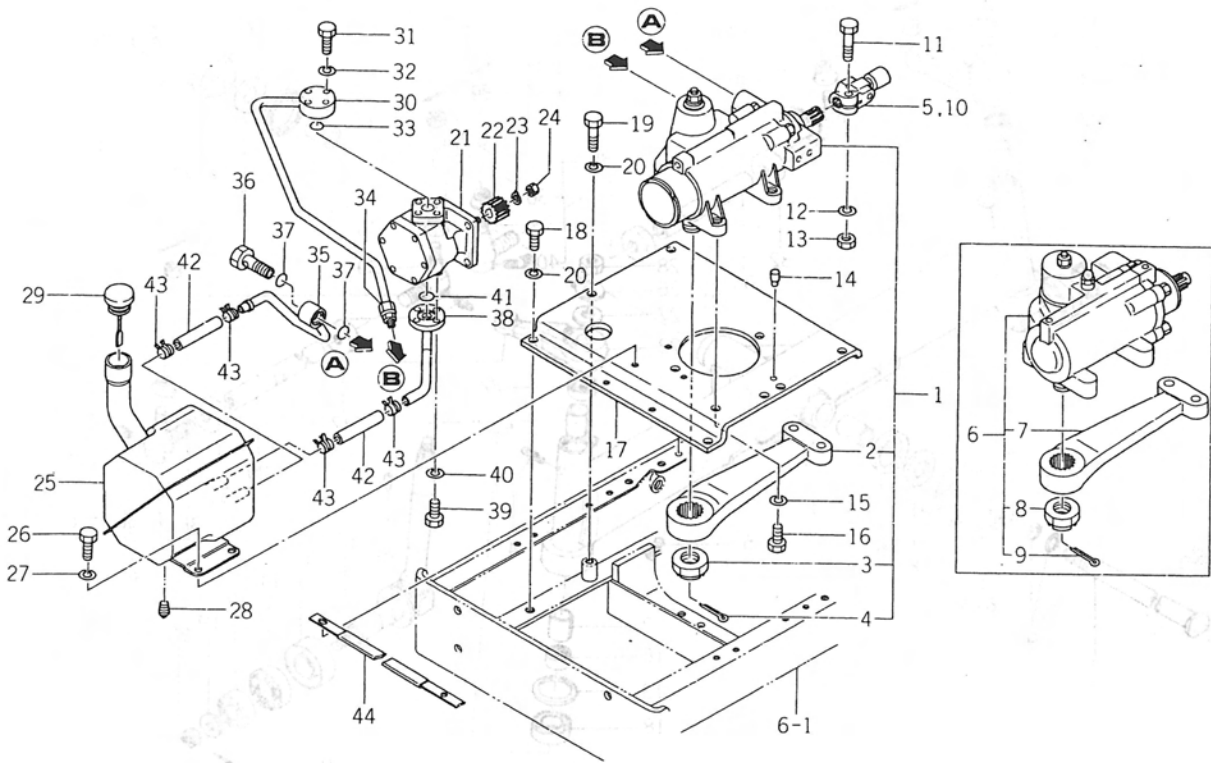
見出番号	部品コード	品名	個数		規格	備考
			C	F		
9-26	1421-403-0070-0	ロック ワッシャ (M12)	2			
9-27	1421-403-0080-0	ワッシャ (13×35×5)	2			
9-28	V30026-001200	ナット	2		M12	
9-29	1444-404-0040-0	タイロッド (L)	1			
9-30	1444-404-0050-0	タイロッド (R)	1			
9-31	1421-403-0010-0	ロックナット	2		M17 P=1.5	
9-32	1421-403-0020-0	ロックナット (ヒダリネジ)	2		M17 P=1.5	
9-33	1421-400-0540-0	ロッドエンド (L)(R) ASSY	2			
9-34	1421-400-0550-0	ロッドエンド (R)(L) ASSY	1			
9-35	1444-404-2100-0	ロッドエンド (R)(L) ASSY	1			
9-36	1404-402-0010-0	・ダストカバー	4			
9-37	1421-403-0030-0	・キャッスルナット	4		M12 P1.25	
9-38	V50015-300200-0	・ワリピン	4		3×20	
9-39	1404-402-0050-0	・グリスニップル	3		1/4S型	
9-40	1432-406-2120-0	・グリスニップル	1		B-M6F P=1.0	

# No. 9 フロントアクスル関係 (C型)



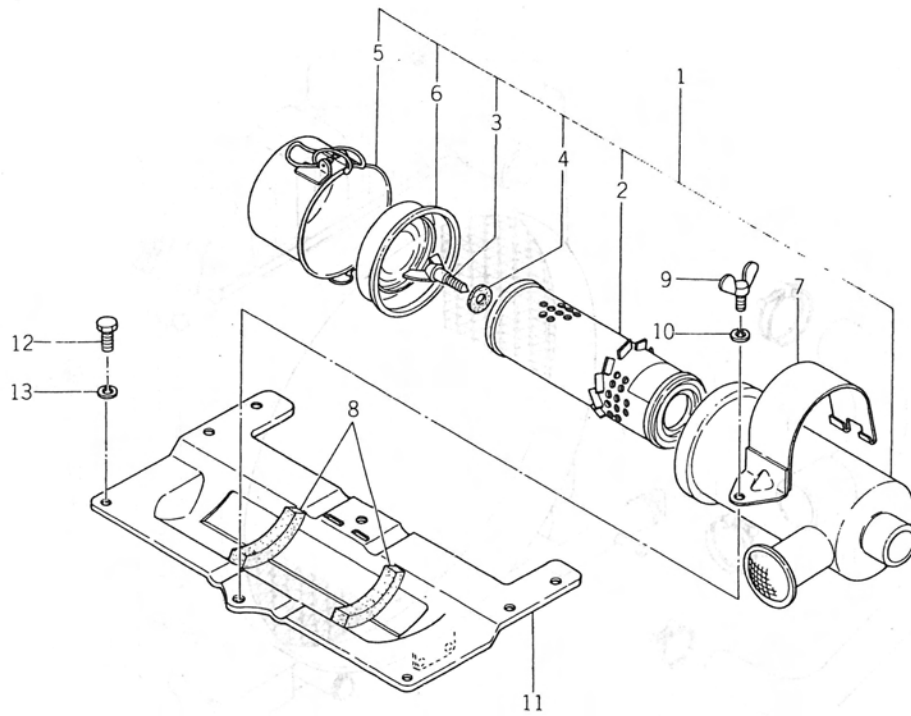
見出番号	部品コード	品名	個数		規格	備考
			C	F		
9-1	1445-040-2000-0	フロント アクスル SET	1			9-2, 3, 含む
9-2	1411-401-0010-0	マキ ブッシュ (25×29×30)	4			
9-3	1412-401-0040-0	マキ ブッシュ (25×29×40)	2			
9-4	V76140-000000	グリス ニップル	2		A-PT1/8	
9-5	V76340-000000	グリス ニップル	1		B-PT1/8	
9-6	V74214-055050	オイル シール	2		AG2357EO (VC4055)	
7	1444-402-0030-0	センタ ビボット	1			
9-8	1444-402-0040-0	ビボット カラー	2			
9-9	V72010-240210	"O"リング	2		P21	
9-10	V32026-002000	ミゾツキ ナット (コウ)	1		M20 P=1.5	
9-11	V50015-400400	ワリ ピン	1		4×40	
9-12	1444-404-2000-0	ナックル スピンドル COMP	2			
9-13	1419-403-0010-0	カラー (25×42×4)	2			
9-14	V60011-062050	R. B. B	2		6205	
9-15	V60011-062040	R. B. B	2		6204	
9-16	1414-403-0040-0	T. B. B	2		27TAG801	
9-17	1407-403-0020-0	ジクツキ シール	2			
9-18	V74413-448080	オイル シール	2		TC34488	
9-19	1325-930-1050-0	アトヒッチ フレーム カラー	2			
9-20	V32126-001200	ミゾツキ ナット (テイ)	2		M12 P=1.25	
9-21	V50015-300250	ワリ ピン	2		3×25	
9-22	1444-404-0010-0	オイル シール	2		OS25324	
9-23	1444-404-0020-0	ドラッグ アーム (L)	1			
9-24	1444-404-0030-0	ドラッグ アーム (R)	1			
9-25	1326-708-0050-0	ロータリ トップ シャフト キー	2			

# No. 8 パワーステアリング関係 (H型)



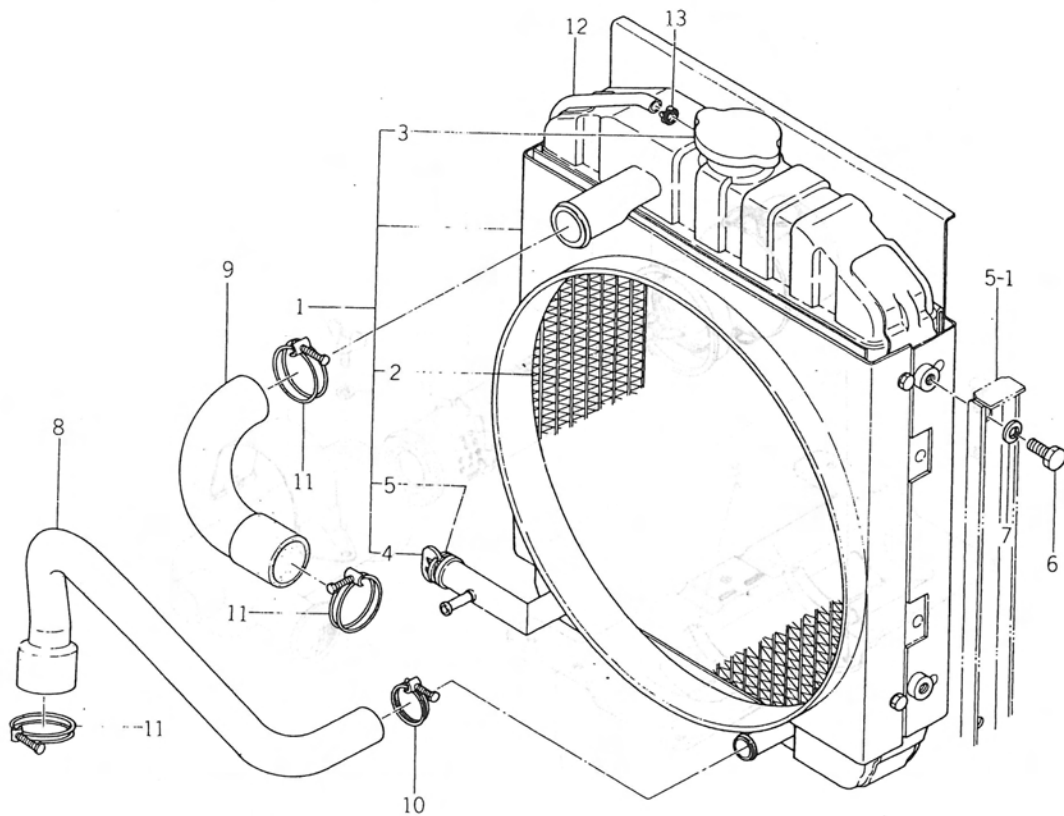
見出番号	部品コード	品名	個数		規格	備考
			C	F		
8-26	V20126-080160	コガタ ボルト	2	2	M8×16	
8-27	V40116-000800	S.W	2	2	M8	
8-28	V78110-000060	アタマツキ プラグ	1	1	PT3/8	
8-29	1444-408-0050-0	パワステ レベル ゲージ	1	1		
8-30	1444-408-2600-0	パイプ(A) COMP	1	1		
8-31	V20026-060250	ボルト	4	4	M6×25	
8-32	V40116-000600	S.W	4	4	M6	
8-33	V72011-240200	"O"リング	1	1	P20	
8-34	1444-408-0060-0	コネクタ	1	1	SJ-S-10	
8-35	1444-408-2700-0	パイプ(B) COMP	1	1		
8-36	1415-505-0140-0	コネクタ ボルト	1	1		
8-37	V72011-240180	"O"リング	2	2	P18	
8-38	1444-408-2800-0	パイプ(C) COMP	1	1		
8-39	V20026-060160	ボルト	4	4	M6×16	
8-40	V40116-000600	S.W	4	4	M6	
8-41	V72011-240200	"O"リング	1	1	P20	
8-42	1444-408-0070-0	オイル ホース	2	2		
8-43	1444-408-0080-0	イタ クリップ	4	4		
8-44	1444-407-2400-0	ホース バンド	1	1		

## No. 2 エア クリー ナ 関 係



見出番号	部品コード	品名	個数		規格	備考
			C	F		
2- 1	1444-101-3600-0	エア クリー ナ ASSY	1	1		
2- 2	1444-101-3700-0	●ペーパ エレメント ASSY	1	1		
2- 3	1421-131-2110-0	●ウイング ボルト	1	1		
2- 4	1419-101-0100-0	●パッキング(ウイング ボルト)	1	1		
2- 5	1444-101-3800-0	●ダスト パン ASSY	1	1		
2- 6	1444-101-3900-0	●デバイダ ASSY	1	1		
2- 7	1444-101-4000-0	エア クリー ナ バンド COMP	1	1		
2- 8	1444-101-0060-0	クッション ゴム	2	2		
2- 9	V27016-080200	チョウ ボルト	1	1	M8×20	
2-10	V40116-000800	S.W	1	1	M8	
2-11	1444-101-3500-0	エア クリー ナ ベース COMP	1	1		
2-12	V20126-080160	コガタ ボルト	4	4	M8×16	
2-13	V40116-000800	S.W	4	4	M8	

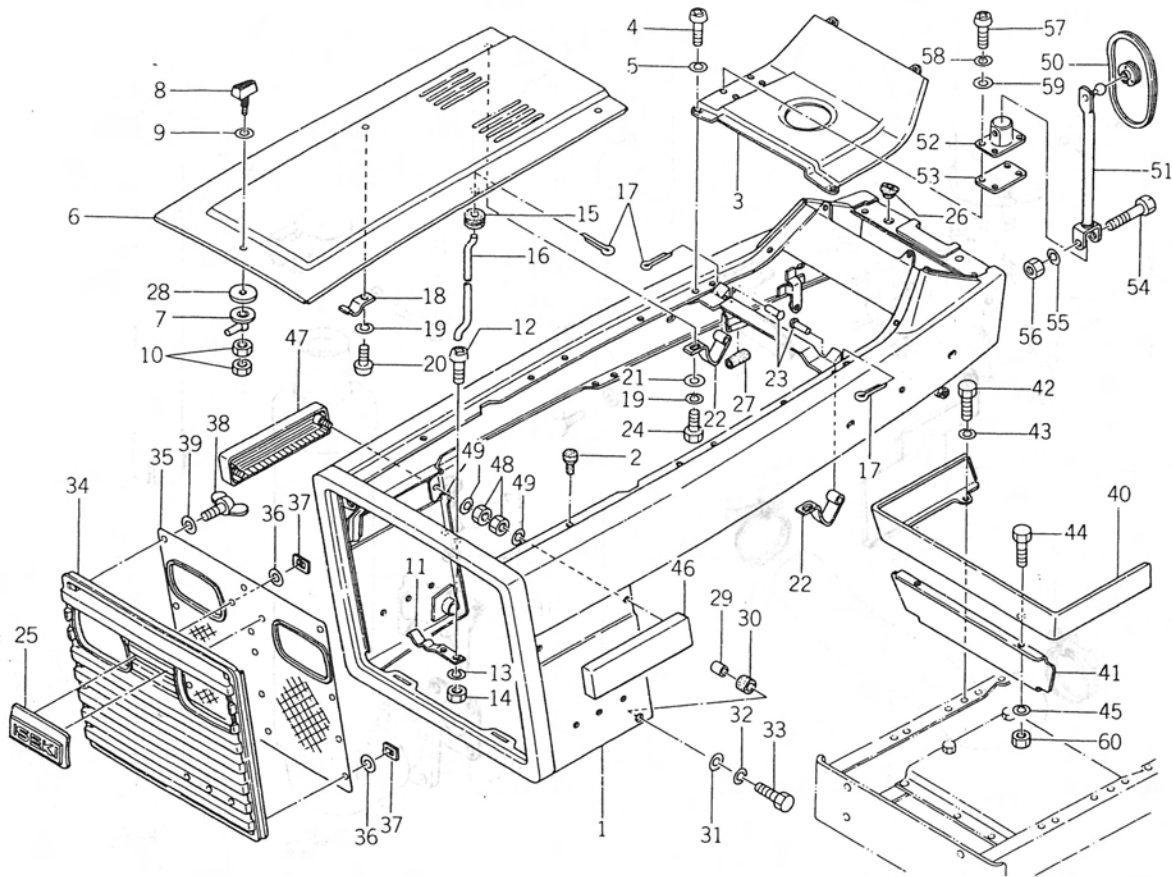
# No. 1 ラジエーター関係



品番	部品コード	品名	個数		規格	備考
			C	F		
- 1	1444-101-3100-0	ラジエーター ASSY	1	1		
1- 2	1444-101-3120-0	•カナアミ	1	1		
- 3	1421-101-3130-0	•キャップ	1	1		
- 4	1424-101-2030-0	•プラグ	1	1		
1- 5	1424-101-2040-0	•パッキン	1	1		
- 6	V20126-080160	コガタ ボルト	4	4	M8×16	
- 7	V40116-000800	S.W	4	4	M8	
1- 8	1444-101-0010-0	ラバー ホース ラジエーター ロー	1	1		
- 9	1444-101-0020-0	ラバー ホース ラジエーター アップ	1	1		
- 10	1421-101-0120-0	クリップ(33)	1	1		
1- 11	1424-101-0040-0	クリップ(45)	3	3		
- 12	1444-101-0120-0	ドレン ホース	1	1		
- 13	1417-102-0050-0	フォース バンド	2	2		

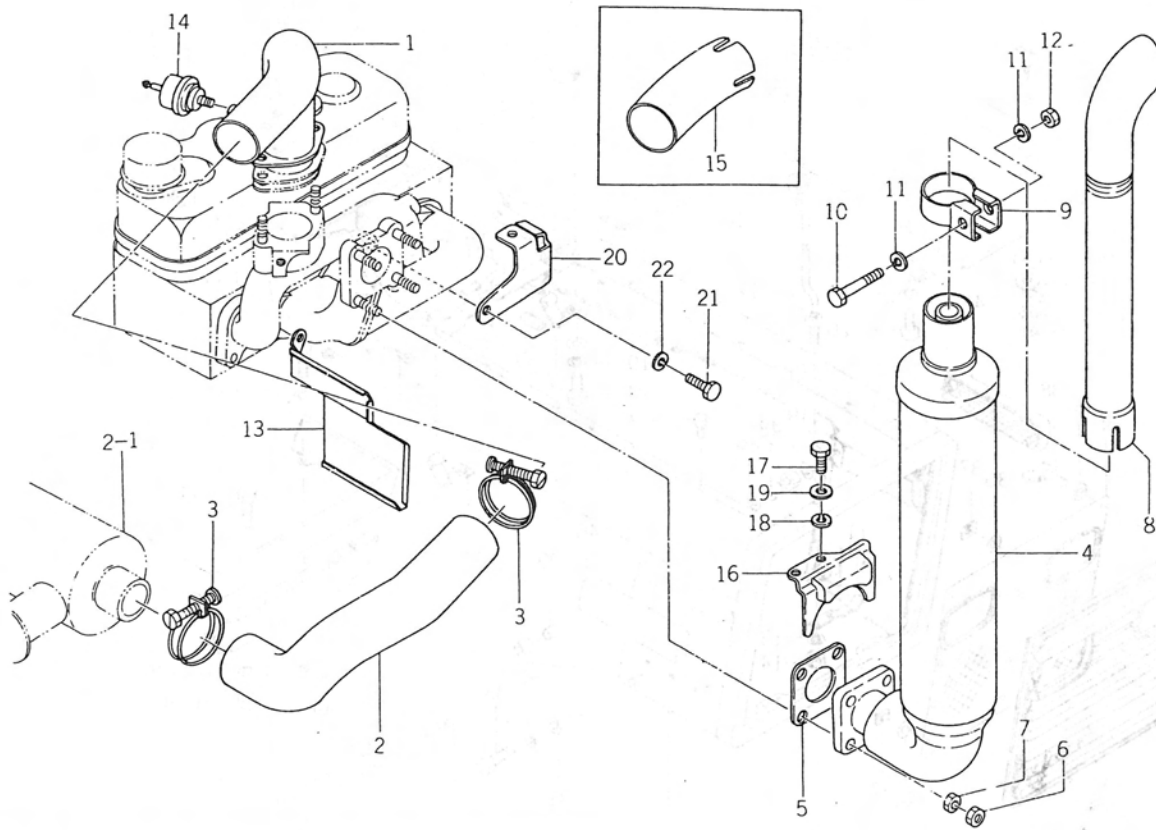


# No. 4 ボンネット関係



見出番号	部品コード	品名	個数		規格	備考
			C	F		
4-1	1444-601-2000-1	ボンネット COMP	1	1		
4-2	1444-601-0010-0	クッション ゴム	6	6		
4-3	1444-601-2300-0	カバー (A) COMP	1	1		
4-4	V11116-600120	プラス ナベ コネジ	2	2	M6×12	
4-5	V40116-000600	S.W	2	2	M6	
4-6	1444-601-2400-0	カバー (B) COMP	1	1		
4-7	1444-601-2500-0	ストップ COMP	1	1		
4-8	1444-601-0020-0	センタ マスコット	1	1		
4-9	1444-601-0030-0	ワッシャ (10×20×1.5)	2	2		
4-10	V30226-000600	ナット	2	2	M6 (3種)	
4-11	1444-601-0040-0	ストップ スプリング	1	1		
4-12	V11116-600120	プラス ナベ コネジ	2	2	M6×12	
4-13	V40116-000600	S.W	2	2	M6	
4-14	V30026-000600	ナット	2	2	M6	
4-15	1444-601-0050-0	グロメット (7×14×1)	1	1		
4-16	1444-601-0060-0	カバー ステア	1	1		
4-17	V50015-200150	ワリ ピン	3	3	2×15	
4-18	1421-602-0070-0	ロッド スプリング	1	1		
4-19	V40116-000600	S.W	3	3	M6	
4-20	V11116-600120	プラス ナベ コネジ	1	1	M6×12	
4-21	V41316-000600	ナミマル ザガネ	2	2	M6	
4-22	1444-601-0070-0	ヒンジ プレート	2	2		
4-23	1444-601-0080-0	ピン (6×30)	2	2		
4-24	V20026-060120	ボルト	2	2	M6×12	
4-25	1444-601-0210-0	フロント マーク	1	1		

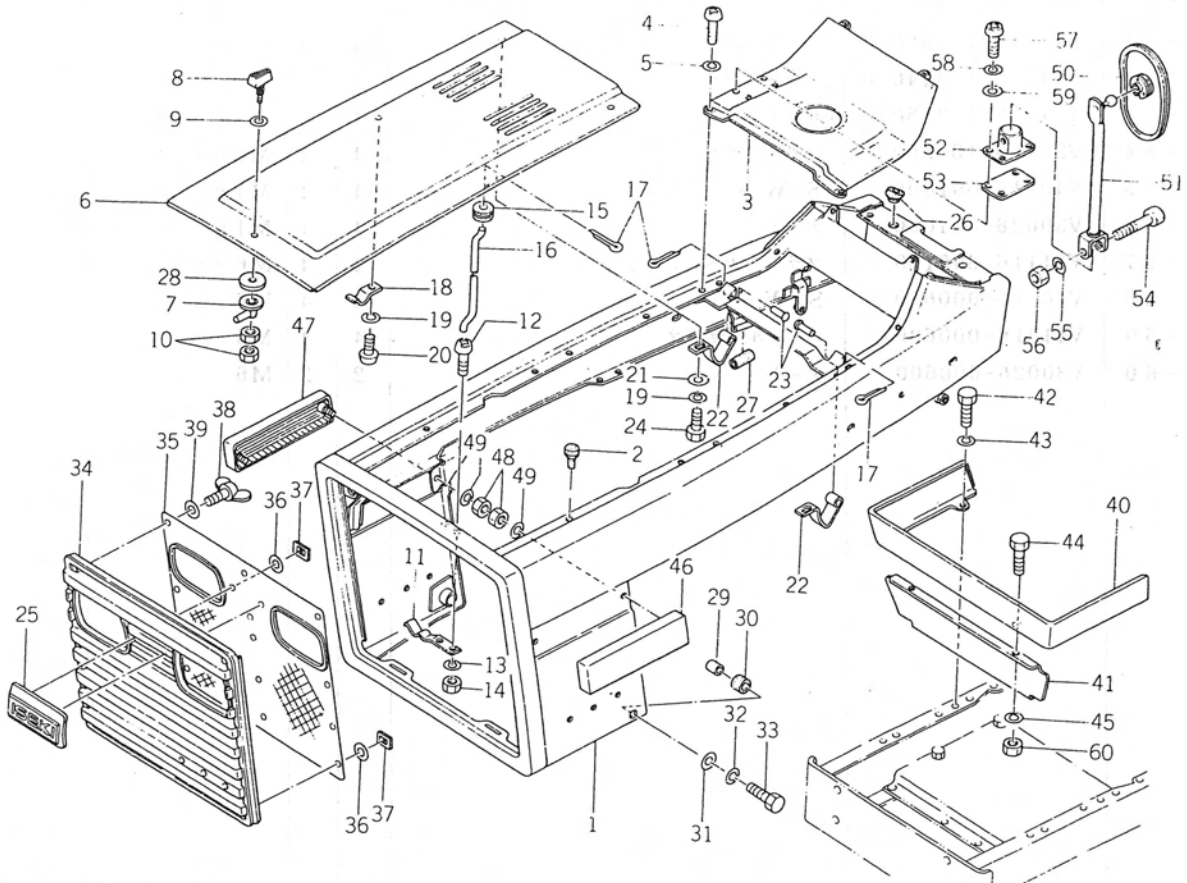
### No. 3 エグゾーストおよびインテーク関係



出番号	部品コード	品名	個数		規格	備考
			C	F		
3-1	1444-101-4100-0	インレット パイプ COMP	1	1		
3-2	1444-101-0070-0	ゴム パイプ	1	1		
3-3	1415-101-0400-0	クリップ(C)	2	2		
3-4	1444-101-4200-0	マフラー COMP	1	1		
3-5	1444-101-0080-0	ガスケット	1	1		
3-6	V33350-001000	コガタ ナット(ホソメ)	4	4	M10 P=1.25	
3-7	V33550-001000	コガタ ナット(ホソメ)	4	4	M10 P=1.25 (3種)	
3-8	1444-101-4300-0	テール パイプ COMP	1	1		
3-9	1444-101-4400-0	クランプ COMP	1	1		
3-10	V20126-100250	コガタ ボルト	1	1	M10×25	
3-11	V40116-001000	S.W	1	1	M10	
3-12	V30026-001000	ナット	1	1	M10	
3-13	1444-101-4500-0	ストップ プレート	1	1		
3-14	1444-101-0090-0	エア クリーナ センサ	1	1		
3-15	1444-101-0110-0	ヨコガタ テール	1	1		
3-16	1444-111-2500-0	エキパイ カバー COMP	1	1		★
3-17	V20026-060120	ボルト	2	2	M6×12	
3-18	V40116-000600	S.W	2	2	M6	
3-19	V41316-000600	ナミマル ザガネ	2	2	M6	
3-20	1444-101-3000-0	タンク ブラケット(L) COMP	1	1		
3-21	V20126-080160	コガタ ボルト	2	2	M8×16	
3-22	V40116-000800	S.W	2	2	M8	

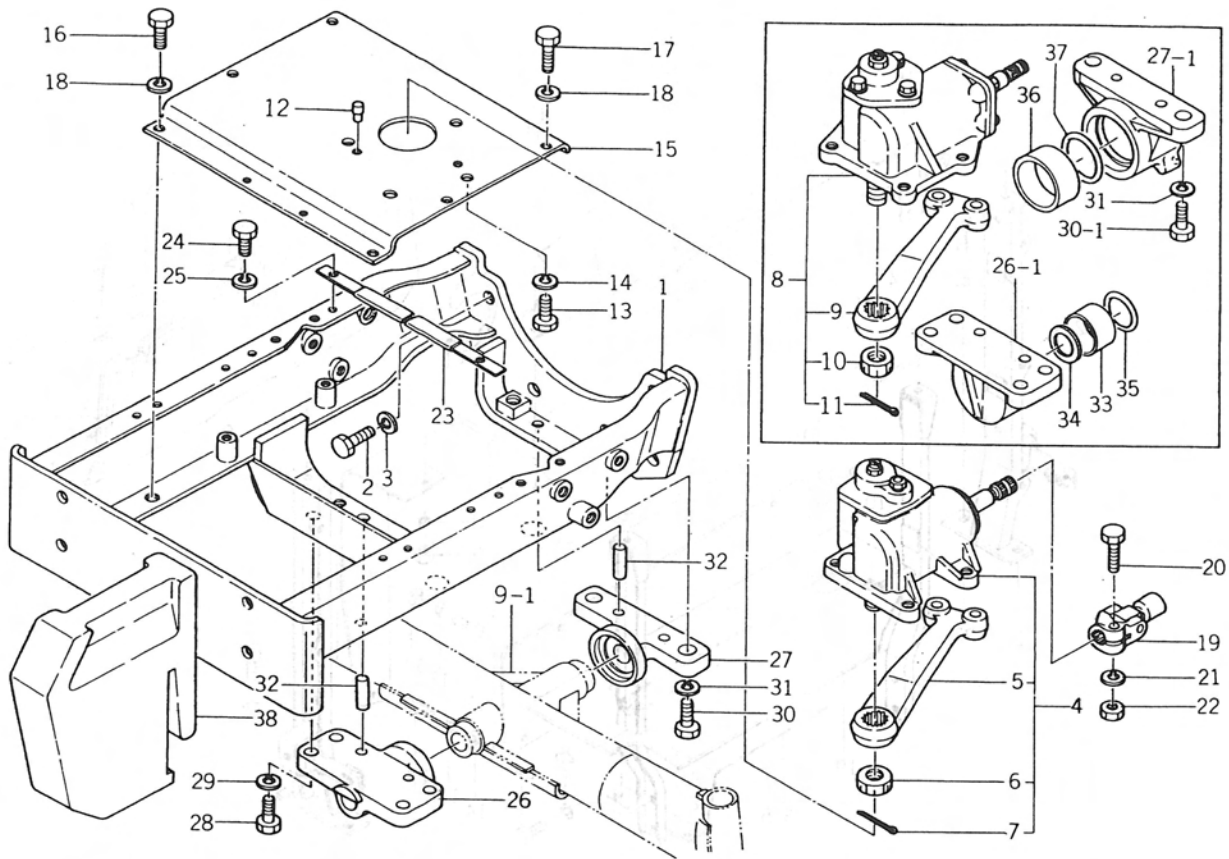
見出番号	部品コード	品名	個数		規格	備考
			C	F		
4-51	1444-621-2900-0	ミラー ステア COMP	1	1		
4-52	1444-621-0140-0	ミラー ブラケット	1	1		
4-53	1444-621-0150-0	パッキン	1	1		
4-54	V20216-100500	コガタ ボルト	1	1	M10×50	
4-55	V40116-001000	S.W	1	1	M10	
4-56	V30026-001000	ナット	1	1	M10	
4-57	V11116-600120	プラス ナベ コネジ	4	4	M6×12	
4-58	V40116-000600	S.W	4	4	M6	
4-59	V41316-000600	ナミマル ザガネ	4	4	M6	
4-60	V30026-000600	ナット	2	2	M6	

# No. 4 ボンネット関係



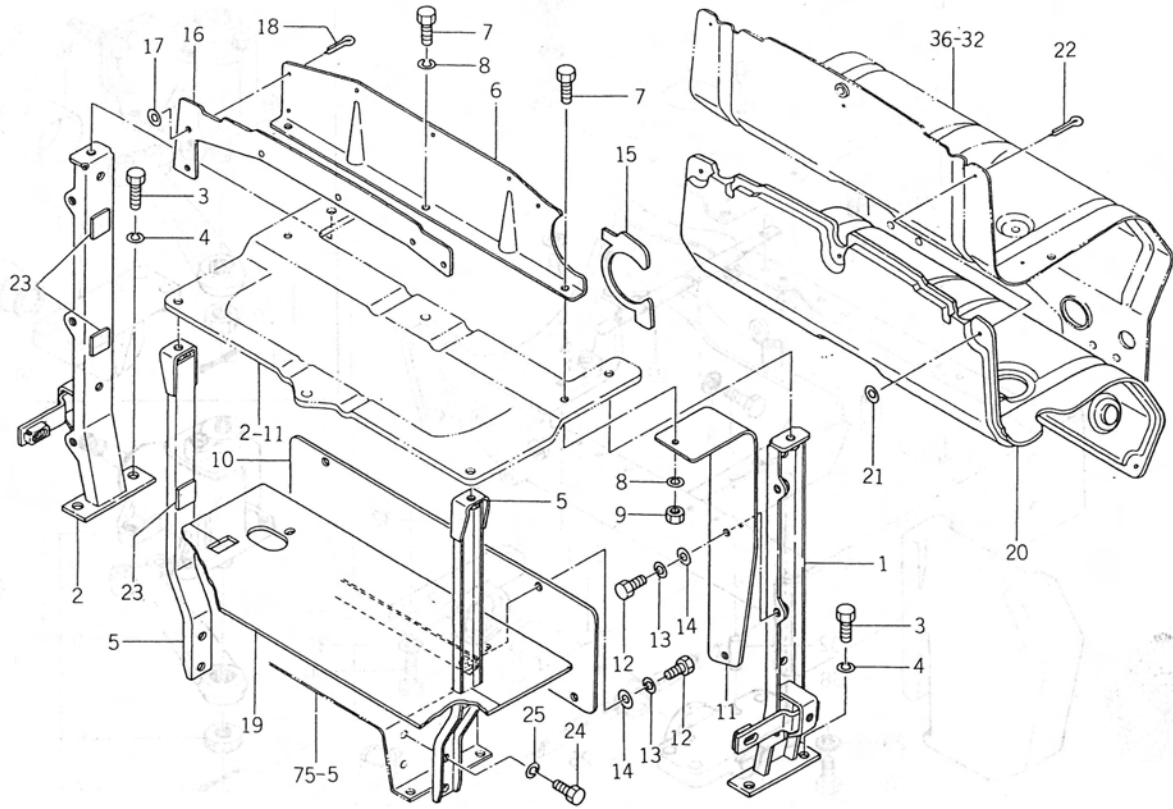
見出番号	部品コード	品名	個数		規格	備考
			C	F		
4-26	1444-601-0220-0	レバー プッシュ	1	1		
4-27	1444-601-0230-0	カバー クッション	4	4		
4-28	1444-601-0240-0	ワッシャ (10×45×2)	1	1		
4-29	1444-601-0120-0	カラー (9×14×18)	2	2		
4-30	1444-601-0130-0	クッション ゴム (F)	2	2		
4-31	V41316-000800	ナミマル ザガネ	2	2		
4-32	V40116-000800	S.W	2	2	M8	
4-33	V20126-080350	コガタ ボルト	2	2	M8	
4-34	1444-601-0140-0	グリル	2	2	M8×35	
4-35	1444-601-2600-0	ネット COMP	1	1		
4-36	1444-601-0150-0	ネット ワッシャ (6×14×3)	1	1		
4-37	V35016-000600	スピード ナット (P)	15	15		
4-38	V27016-060120	チョウ ボルト	15	15	6	
4-39	V41316-000600	ナミマル ザガネ	2	2	M6×12	
4-40	1444-601-0160-0	フロント カバー	2	2	M6	
4-41	1444-601-0170-0	アンダ カバー	1	1		
4-42	V20126-080160	コガタ ボルト	1	1		
4-43	V40116-000800	S.W	6	6	M8×16	
4-44	V20026-060120	ボルト	6	6	M8	
4-45	V40116-000600	S.W	2	2	M6×12	
4-46	1444-601-0180-0	サイド リフレクタ (L)	2	2	M6	
4-47	1444-601-0190-0	サイド リフレクタ (R)	1	1		
4-48	V30026-000600	ナット	1	1		
4-49	V40116-000600	S.W	4	4	M6	
4-50	1421-621-2100-0	ミラー ASSY	4	4	M6	
			1	1		

# No. 6 アクスルブラケットおよびステアリング関係 (C.F型)



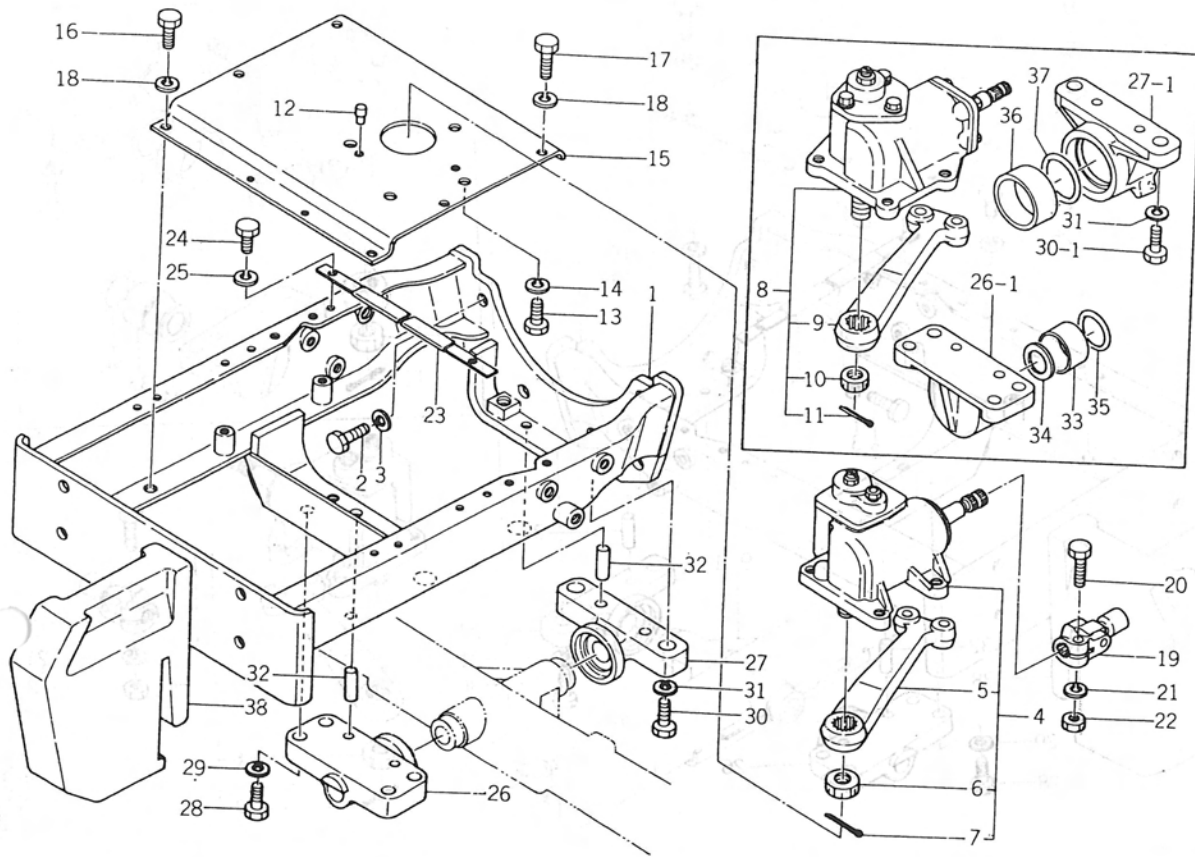
見出番号	部品コード	品名	個数		規格	備考
			C	F		
6-1	1444-401-2000-0	アクスル ブラケット COMP	1	1		
6-2	V20146-140320	コガタ ボルト	6	6	M14×32(9T)	
6-3	V40116-001400	S.W	6	6	M14	
6-4	1444-407-2000-0	ステアリング ASSY	1	1		選択使用 日本精工
6-5	1444-407-2010-0	●アーム	1	1		
6-6	V23126-002000	●ミゾツキ ナット(テイ)	1	1	M20 P=1.5	
6-7	V50015-500400	●ワリピン	1	1	5×40	
6-8	1444-407-2200-0	ステアリング ASSY	1	1		選択使用 光洋精工
6-9	1444-407-2210-0	●アーム	1	1		
6-10	1444-407-2220-0	●コガタ ミゾツキ ナット(テイ)	1	1	M20 P=1.5	
6-11	V50015-400300	●ワリピン	1	1	4×30	
6-12	1421-433-0040-0	ノックピン	2	2		
6-13	V20146-120250	コガタ ボルト	4	4	M12×25(9T)	
6-14	V40116-001200	S.W	4	4	M12	
6-15	1444-407-0010-0	セット プレート	1	1		
6-16	V20146-100250	コガタ ボルト	2	2	M10×25(9T)	
6-17	V20146-100450	コガタ ボルト	4	4	M10×45(9T)	
6-18	V40116-001000	S.W	6	6	M10	
6-19	1444-407-0020-0	ステアリング ジョイント	1	1		
6-20	V20146-100400	コガタ ボルト	1	1	M10×40(9T)	
6-21	V40116-001000	S.W	1	1	M10	
6-22	V30346-001000	コガタ ナット	1	1	M10(7T)	
6-23	1444-407-2400-0	ホースバンド COMP	1	1		
6-24	V20126-080160	コガタ ボルト	1	1	M8×16	
6-25	V40116-000800	S.W	1	1	M8	

# No. 5 フ レ ム 関 係



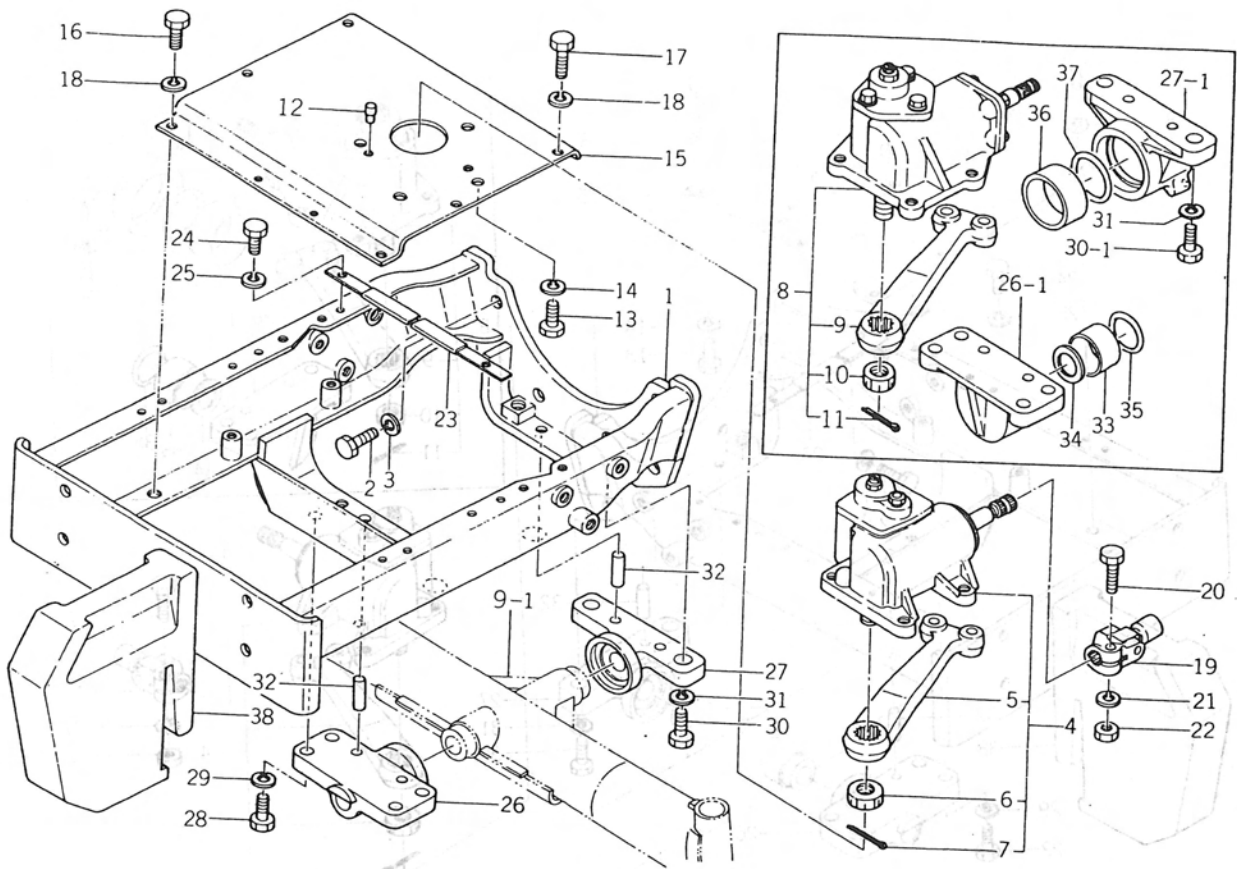
見出番号	部品コード	品名	個数		規格	備考
			C	F		
5- 1	1444-101-3200-0	ラジエタ ステ- (L) COMP	1	1		
5- 2	1444-101-3300-0	ラジエタ ステ- (R) COMP	1	1		
5- 3	V20126-100160	コガタ ボルト	4	4	M10×16	
5- 4	V40116-001000	S.W	4	4	M10	
5- 5	1444-101-3400-0	フロント フレ-ム COMP	2	2		
5- 6	1444-101-0030-0	クリーナ シ-ル プレ-ト	1	1		
5- 7	V20026-060120	ボルト	3	3	M6×12	
5- 8	V40116-000600	S.W	3	3	M6	
5- 9	V30026-000600	ナット	2	2	M6	
5-10	1444-101-0040-0	ラジエタ シ-ル (A)	1	1		
5-11	1444-101-0050-0	ラジエタ シ-ル (B)	2	2		
5-12	V20026-060120	ボルト	8	8	M6×12	
5-13	V40116-000600	S.W	8	8	M6	
5-14	V41316-000600	ナミマル ザガネ	8	8	M6	
5-15	1444-101-0130-0	クリーナ シ-ル ゴム (A)	1	1		
5-16	1444-101-0140-0	クリーナ シ-ル ゴム (B)	1	1		
5-17	1432-602-0070-0	ワッシャ	6	6		
5-18	V50015-250150	ワリ ビン	6	6	2.5×15	
5-19	1444-101-0150-0	ラジエタ シ-ル (C)	1	1		
5-20	1444-111-0010-0	エンジン カバー	1	1		
5-21	1432-602-0070-0	ワッシャ	9	9		
5-22	V50015-250150	ワリ ビン	9	9	2.5×15	
5-23	3746-261-2050-0	ヒキオコシ ボウオンイタ	6	6		
5-24	V20126-080160	コガタ ボルト	4	4	M8×16	
5-25	V40116-000800	S.W	4	4	M8	

# No. 7 アクスルブラケットおよびステアリング関係 (C.F型)



見出番号	部品コード	品名	個数		規格	備考
			C	F		
7-1	1444-401-2000-0	アクスル ブラケット COMP	1	1		
7-2	V20146-140320	コガタ ボルト	6	6	M14×32(9T)	
7-3	V40116-001400	S.W	6	6	M14	
7-4	1444-407-2000-0	ステアリング ASSY	1	1		
7-5	1444-407-2010-0	•アーム	1	1		
7-6	V23126-002000	•ミゾツキ ナット(タイ)	1	1	M20 P=1.5	選択使用 日本精工
7-7	V5 015-500400	•ワリ ピン	1	1	5×40	
7-8	1444-407-2200-0	ステアリング ASSY	1	1		
7-9	1444-407-2210-0	•アーム	1	1		
7-10	1444-407-2220-0	•コガタ ミゾツキ ナット(タイ)	1	1	M20 P=1.5	選択使用 光洋精工
7-11	V50015-400300	•ワリピン	1	1	4×30	
7-12	1421-433-0040-0	ノック ピン	2	2		
7-13	V20146-120250	コガタ ボルト	4	4	M12×25(9T)	
7-14	V40116-001200	S.W	4	4	M10	
7-15	1444-407-0010-0	セット プレート	1	1		
7-16	V20146-100250	コガタ ボルト	2	2	M10×25(9T)	
7-17	V20146-100450	コガタ ボルト	4	4	M10×45(9T)	
7-18	V40116-001000	S.W	6	6	M10	
7-19	1444-407-0020-0	ステアリング ジョイント	1	1		
7-20	V20146-100400	コガタ ボルト	1	1	M10×40(9T)	
7-21	V40116-001000	S.W	1	1	M10	
7-22	V30346-001000	コガタ ナット	1	1	M10(7T)	
7-23	1444-407-2400-0	ホース バンド COMP	1	1		
7-24	V20126-080160	コガタ ボルト	1	1	M8×16	
7-25	V40116-000800	S.W	1	1	M8	

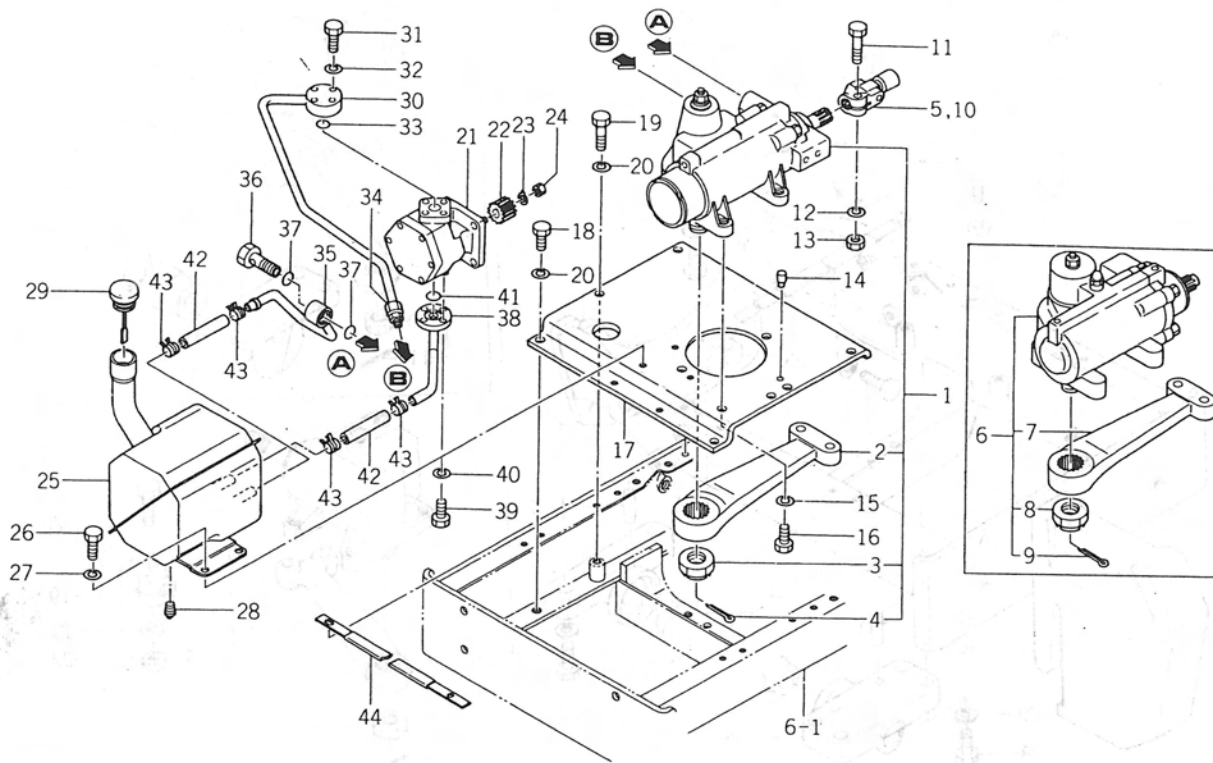
# No. 6 アクスルブラケットおよびステアリング関係 (C.F型)



見出番号	部品コード	品名	個数		規格	備考
			C	F		
6-26	1444-402-0010-0	ピボット メタル(F)	1			
6-26-1	1444-041-2000-0	ピボット メタル(F) SET		1		5-33含む
6-27	1444-402-0020-0	ピボット メタル(R)	1			
6-27-1	1444-041-2100-0	ピボット メタル(R) SET		1		5-36含む
6-28	V20126-120350	コガタ ボルト	4	4	M12×35	
6-29	V40116-001200	S.W	4	4	M12	
6-30	V20146-160350	コガタ ボルト	2	2	M16×35(9T)	
6-30-1	V20146-160400	コガタ ボルト	2	2	M16×40 9T)	
6-31	V40116-001600	S.W	2	2	M16	
6-32	V52110-100200	ヘイコウ ピン(B)	4	4	10×20	
6-33	1421-436-0020-0	マキ ブッシュ(45×50×25)		1		
6-34	1444-412-0040-0	スラスト カラー		1		
6-35	V72010-350450	"O"リング		1	P45	
6-36	1444-412-0060-0	マキ ブッシュ(60×65×30)		1		
6-37	V72010-570600	"O"リング		1	P60	
6-38	1444-952-0010-0	バンパ ウェイト	6	6		★

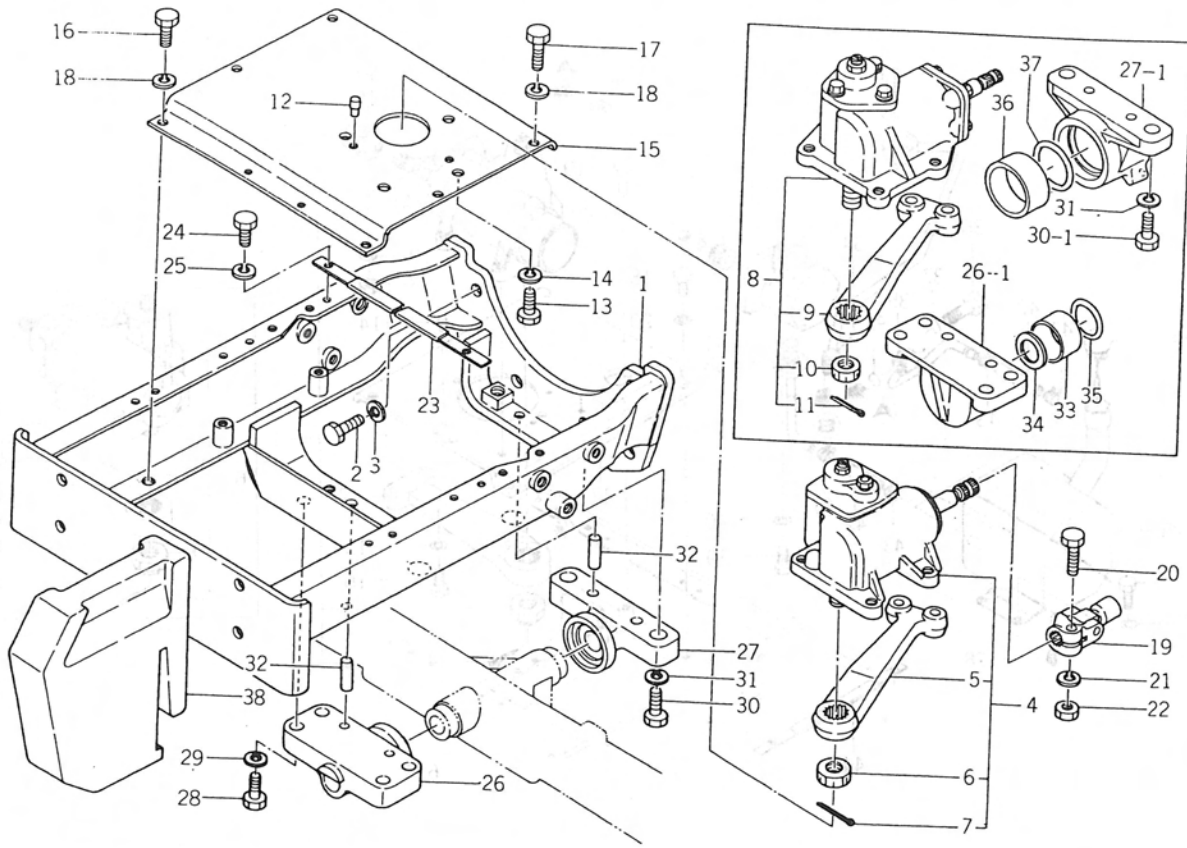


# No. 8 パワーステアリング関係 (H型)



見出番号	部品コード	品名	個数		規格	備考
			C	F		
8-1	1444-408-2000-0	パワー ステアリング ASSY	1	1		
8-2	1444-408-2010-0	•アーム	1	1		
8-3	V32126-002000	•ミゾツキ ナット(テイ)	1	1	M20 P=1.5	選択使用 日本パワーステ
8-4	V50015-400400	•ワリ ピン	1	1	4×40	
8-5	1444-407-0020-0	ステアリング ジョイント	1	1		光洋精工
8-6	1444-408-2200-0	パワー ステアリング ASSY	1	1		
8-7	1444-408-2210-0	•アーム	1	1		
8-8	V32126-002000	•ミゾツキ ナット(テイ)	1	1	M20 P=1.5	選択使用 豊田工機
8-9	V50015-400400	•ワリ ピン	1	1	4×40	
8-10	1444-408-0010-0	ステアリング ジョイント	1	1		
8-11	V20146-100400	コガタ ボルト	1	1	M10×40(9T)	
8-12	V40116-001000	S.W	1	1	M10	
8-13	V30346-001000	コガタ ナット	1	1	M10 (7T)	
8-14	1421-433-0040-0	ノック ピン	2	2		
8-15	V20146-120250	コガタ ボルト	4	4	M12×25(9T)	
8-16	V40116-001200	S.W	4	4	M12	
8-17	1444-408-0020-0	セット プレート	1	1		
8-18	V20146-100250	コガタ ボルト	2	2	M10×25(9T)	
8-19	V20146-100450	コガタ ボルト	4	4	M10×45(9T)	
8-20	V40116-001000	S.W	6	6	M10	
8-21	1444-408-0030-0	ギヤ ボンプ	1	1		
8-22	1444-408-0040-0	スプライン ボス	1	1		
8-23	1404-503-0090-0	ギヤ ボンプ トメ ワッシャ	1	1		
8-24	V30326-000800	コガタ ナット	1	1	M8	
8-25	1444-408-2400-0	オイル タンク COMP	1	1		

# No. 7 アクスルブラケットおよびステアリング関係 (C.F型)



見出番号	部品コード	品名	個数		規格	備考
			C	F		
7-26	1446-402-0010-0	ピボット メタル(F)	1			
7-26-1	1444-041-2000-0	ピボット メタル(F) SET		1		
7-27	1446-402-0020-0	ピボット メタル(R)	1			7-33含む
7-27-1	1444-041-2100-0	ピボット メタル(R) SET		1		
7-28	V20126-120350	コガタ ボルト	4	4	M12×35	7-36含む
7-29	V20116-001200	S.W	4	4	M12	
7-30	V40146-160350	コガタ ボルト	2		M16×35(9T)	
7-30-1	V40146-160400	コガタ ボルト	2		M16×40(9T)	
7-31	V50116-001600	S.W	2	2	M16	
7-32	V52110-100200	ハイコウ ピン(B)	4	4	10×20	
7-33	1421-436-0020-0	マキ ブッシュ(45×50×25)	1			
7-34	1444-412-0040-0	スラスト カラー	1			
7-35	V72010-350450	"O"リング	1		P45	
7-36	1444-412-0060-0	マキ ブッシュ(60×65×30)	1			
7-37	V72010-570600	"O"リング	1		P60	
7-38	1444-952-0010-0	パンパ ウェイト	6	6		★

10  
11  
12  
13  
14  
15  
16  
17  
18  
19  
20  
21  
22  
23  
24  
25  
26  
27  
28  
29  
30  
31  
32  
33  
34  
35  
36  
37  
38  
39  
40  
41  
42  
43  
44  
45  
46  
47  
48  
49  
50  
51  
52  
53  
54  
55  
56  
57  
58  
59  
60  
61  
62  
63  
64  
65  
66  
67  
68  
69  
70  
71  
72  
73  
74  
75  
76  
77  
78  
79  
80  
81  
82  
83  
84  
85  
86  
87  
88  
89  
90  
91  
92  
93  
94  
95  
96  
97  
98  
99  
100

	2100	2300	2500	
No. 41		○		60
No. 42			○	62
No. 43	○	○	○	64
No. 44	○	○	○	66
No. 45	○			67
No. 46		○	○	68
No. 47	○	○	○	70
No. 48	○			72
No. 49		○	○	73
No. 50	○	○	○	74
No. 51	○			75
No. 52		○	○	76
No. 53	○			77
No. 54		○		78
No. 55			○	79
No. 56	○	○	○	80
No. 57	○	○	○	81
No. 58	○			82
No. 59		○	○	85
No. 60	○			87
No. 61		○	○	89
No. 62	○			91
No. 63		○	○	93
No. 64		○	○	95
No. 65	○	○	○	97
No. 66	○	○	○	99
No. 67	○			100
No. 68		○	○	101
No. 69	○			102
No. 70		○	○	104
No. 71	○			106
No. 72		○	○	107
No. 73	○			108
No. 74		○	○	109
No. 75	○	○	○	110
No. 76	○			111
No. 77		○	○	112
No. 78	○	○	○	113
No. 79	○	○	○	115
No. 80	○			116
No. 81		○		118
No. 82			○	120
No. 83	○	○	○	122

# 目 次

		2100	2300	2500	
No. 1	ラジエータ関係 .....	○	○	○	1
No. 2	エアクリーナ関係 .....	○	○	○	2
No. 3	エグゾーストおよびインターク関係 .....	○	○	○	3
No. 4	ボンネット関係 .....	○	○	○	4
No. 5	フレーム関係 .....	○	○	○	7
No. 6	アクスルブラケットおよびステアリング関係 (C. F型) .....	○			8
No. 7	アクスルブラケットおよびステアリング関係 (C. F型) .....		○	○	10
No. 8	パワーステアリング関係 (H型) .....	○	○	○	12
No. 9	フロントアクスル関係 (C型) .....	○			14
No. 10	フロントアクスル関係 .....		○		16
No. 11	フロントアクスル関係 .....			○	18
No. 12	フロントアクスル関係 (F型) .....	○			21
No. 13	フロントアクスル関係 (F型) .....		○	○	22
No. 14	フロントドライブシャフト関係 (F型) .....	○	○	○	23
No. 15	ファイナルケース関係 (F型) .....	○			25
No. 16	ファイナルケース関係 (F型) .....		○	○	27
No. 17	フロントホイール関係 (C型) .....	○			29
No. 18	フロントホイール関係 (C型) .....		○		30
No. 19	フロントホイール関係 (C型) .....			○	31
No. 20	フロントホイール関係 (F型) .....	○			32
No. 21	フロントホイール関係 (F型) .....		○		33
No. 22	フロントホイール関係 (F型) .....			○	34
No. 23	ステアリングホイール関係 .....	○	○	○	35
No. 24	フロントミッションケース関係 .....	○			37
No. 25	フロントミッションケース関係 .....		○	○	38
No. 26	フロントミッションギヤ-関係 (C. F型) .....	○			39
No. 27	フロントミッションギヤ-関係 (C. F型) .....		○	○	41
No. 28	フロントミッションギヤ-関係 (H型) .....	○			43
No. 29	フロントミッションギヤ-関係 (H型) .....		○	○	45
No. 30	チェンジレバ-関係 .....	○	○	○	47
No. 31	フロントドライブ関係 (F型) .....	○			48
No. 32	フロントドライブ関係 (F型) .....		○		49
No. 33	フロントドライブ関係 (F型) .....			○	50
No. 34	クラッチペダル関係 .....	○	○	○	51
No. 35	クラッチ関係 .....	○	○	○	52
No. 36	フュエルタンク関係 .....	○	○	○	53
No. 37	スロットル関係 .....	○	○	○	55
No. 38	リヤミッションケース関係 .....	○			56
No. 39	リヤミッションケース関係 .....		○	○	57
No. 40	リヤミッションギヤ- .....	○			58

○ 1つの「SET」の各構成部品は・を付して1字下げてリストしてあります。

(例)

ステアリングホイール SET

- ステアリングホイール
  - ステアリングキャップ
  - エンブレム
- ステアリングホイール SET の構成部品

○ 部品名の (L)(R) とは、進行方向に向って又は組付け状態より見て表示しております。

記号の証明

★..... 注文製作部品

△..... 単品販売せず

## 2 部品注文についてのお願い

○ 特に部品コードはコンピュータコードになっているため、間違いなきよう確実に注文して下さい。

部品コードの構成は、旧コードの10桁に管理区分と塗装色区分が追加されました。

純正部品

○○○○—○○○—○○○○—○

..... 塗装色区分(変遷)

..... 部品変遷

..... 部品コード

..... アセンブリグループ

..... 機種コード

..... 体系区分

## 3 塗装色について

塗装部品はアイアンブルー(2.5PB3/9), アイボリホワイト(2.5Y 8.5/1.0), ダークブラウン(N1.5)の3種類です。

塗装色コード管理品目のみ、12桁目に0以外の数字を記入しています。

## パーツリストのご使用にあたって

### 1. パーツリストの構成

○ スケッチは TL2100,F・TL2300,F・TL2500,F 型の構成部品、付属品及び注文製作部品を全品掲載しています。

エンジンは別冊パーツコード 1400-099-0330-0 を参照下さい。

#### 区 分

区 分	駆 動 方 式		装 備		
	2 駆	4 駆	シンクロ	パワステ	PTOクラッチ
～ C	○				
～ H	○		○	○	
～ G	○		○	○	○
F ～ C		○			
F ～ H		○	○	○	
F ～ G		○	○	○	○

○ 部品番号はコンピュータコードになっており、最初の4桁は型式を表わしております。  
型式表示コードは次表の通りです。

型 式	コード	型 式	コード	型 式	コード	型 式	コード
TC10	1401	TB1700	1413	TS2810	1425	TS2202	1437
TC15	1402	TB1400	1414	TS3510	1426	TS2220	1438
TB15	1403	TB2400	1415	TX1300	1427	TS3910	1439
TB20	1404	TB2000	1416	TX1000	1428	T8000	1440
TR1	1405	TS2800	1417	TX1500	1429	T9000	1441
TR1L	1406	TS2500	1418	TS2205	1430	T5000E	1442
TB17	1407	TS1700	1419	TS3110	1431	T6500E	1443
TR1S	1408	TS2200	1420	T5000	1432	TL1900	1444
TR1LD	1409	TS1610	1421	T6500	1433	TL2100	1445
TB23	1410	TS1910	1422	TX1410	1434	TL2300	1446
TM1200	1411	TS2210	1423	TX1510	1435	TL2500	1447
TB2300	1412	TS2510	1424	TX1210	1436		

○ 部品番号の頭に「V」「W」のついている部品は、標準市販品を表わしています。

「V」…………… 市 販 品

「W」…………… キセキ標準部品

○ 部品名の「COMP」とは2点以上のヨーセツ又はカシメによる完成部品を示しています。









# 井関農機株式会社

営業本部	〒102	東京都千代田区紀尾井町3番6号	TEL 03 (238)5200
営業札幌支店	〒060	札幌市中央区北4条西6-1-1	TEL 011(231)3640
営業札幌支店部品課	〒068	岩見沢市5条東12-5	TEL 01262(2)3664
東北総合センター一部品課	〒989-24	岩沼市下野郷1-2	TEL 02232(4)1111
関東総合センター一部品課	〒125	東京都葛飾区水元飯塚町536	TEL 03 (609)0311
関西総合センター一部品課	〒523	滋賀県近江八幡市千僧供町大橋602	TEL 07483(7)3831
中四国総合センター一部品課	〒790	松山市湊町7-5	TEL 0899(78)1211
九州総合センター一部品課	〒861-41	熊本市近見町3257	TEL 0963(22)3301
岩見沢技術センター	〒068	岩見沢市5条東12-5	TEL 01262(2)2664
東北総合センター技術サービス課	〒989-24	岩沼市下野郷1-2	TEL 02232(4)1111
関東総合センター技術サービス課	〒125	東京都葛飾区水元飯塚町484	TEL 03 (609)0156
関西総合センター技術サービス課	〒523	滋賀県近江八幡市千僧供町大橋602	TEL 07483(7)3831
中四国総合センター技術サービス課	〒790	松山市湊町7-5	TEL 0899(21)7878
九州総合センター技術サービス課	〒861-41	熊本市近見町3257	TEL 0963(55)4131

**ISEKI & CO., LTD.**